

Honeywell

HHC12 Series

12-Inch Camera Enclosure

Install Guide

Revisions




Issue	Date	Revisions
1.00	07/05	New document rebranded to Honeywell standards, based on KHM1000017 03/15/02
1.01	04/06	Added section Connecting the Heater/Blower (HHC12WM2 Only), added supplied screws to package contents, minor changes throughout

Warnings

Installation and servicing should be performed only by qualified and experienced technicians to conform to all local codes and to maintain your warranty.

WARNING! The use of CSA Certified/UL Listed Class 2 power adapters is required to ensure compliance with electrical safety standards.

Explanation of Graphical Symbols

	CAUTION RISK OF ELECTRIC SHOCK DO NOT OPEN		THIS SYMBOL INDICATES THAT DANGEROUS VOLTAGE CONSTITUTING A RISK OF ELECTRIC SHOCK IS PRESENT WITHIN THE UNIT.	
CAUTION: TO REDUCE THE RISK OF ELECTRIC SHOCK, DO NOT REMOVE THE COVER. NO USER-SERVICEABLE PARTS INSIDE REFER SERVICING TO QUALIFIED SERVICE PERSONNEL				THIS SYMBOL INDICATES THAT IMPORTANT OPERATING AND MAINTENANCE INSTRUCTIONS ACCOMPANY THIS UNIT.

Contents

Introduction	1
Features	1
Ordering Information	1
Before You Begin	2
Unpack Everything	2
Equipment Required	2
Installation	3
Preparing for Installation	3
Connecting the Heater/Blower (HHC12WM2 Model Only)	4
Mounting the Camera	5
Mounting the Wall Bracket	7
Maintenance	7
Specifications	8

Introduction

The HHC12 series camera housings are stylishly and functionally designed for 1/2" and 1/3" CCD cameras with fixed focal length or small zoom lenses.

Features

- Contemporary design
- Adjustable mounting rack
- Indoor/outdoor applications
- IP66 rated
- Die-cast and extruded aluminum construction
- Removable body for easy servicing
- Epoxy powder coating for corrosion resistance

Ordering Information

Model No.	Description
-----------	-------------

Housing Models

HHC1200	12-inch housing
HHC12WM	12-inch housing with sunshield and HHMW13 wall mount
HHC12WM2	12-inch housing with sunshield, heater kit, blower kit and HHMW13 wall mount

Optional Components

HHMC21J	Ceiling "J" mount, 21" high, 30 lbs (13.5 kg) max.
HHMCMA	Corner mount adapter for HHMW13
HHMPMA	Pole mount adapter for HHMW13
HHMW13	Wall mount, 13" high, 30 lbs (13.5 kg) max., grey

Before You Begin

This guide describes how to assemble the housing and its optional components, affix the camera, and mount the assembly to a suitable surface. Please read this guide carefully before you install the housing. Keep this guide for future reference.

Unpack Everything

Check that the items received match those listed on the order form and packing slip. The HHC12 packing box includes, in addition to this guide:

Housing Model	Packing Includes
HHC1200	<ul style="list-style-type: none">• One 12-inch housing• One dessicant bag• Two UNC 1/4 x 20 machine screws
HHC12WM	<ul style="list-style-type: none">• One 12-inch housing with sunshield• One dessicant bag• One HHMW13 wall mount• Four 1/4 x 20 UNC machine screws• Four #14 1-1/4 sheet metal screws
HHC12WM2	<ul style="list-style-type: none">• One 12-inch housing with heater, blower and sunshield• One dessicant bag• One HHMW13 wall mount• Four 1/4 x 20 UNC machine screws• Four #14 1-1/4 sheet metal screws

If any parts are missing or damaged, contact the dealer you purchased the housing from or call Honeywell Customer Service (see back cover).

Equipment Required

You may require the following tools (not supplied) to complete the installation:

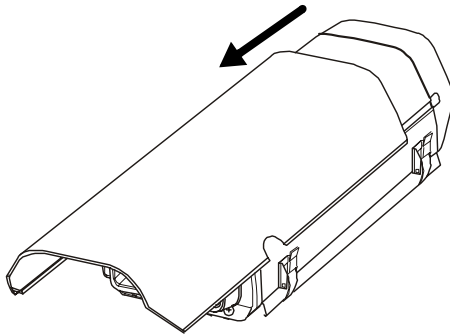
Screwdriver, camera and camera cable, power supply

Installation

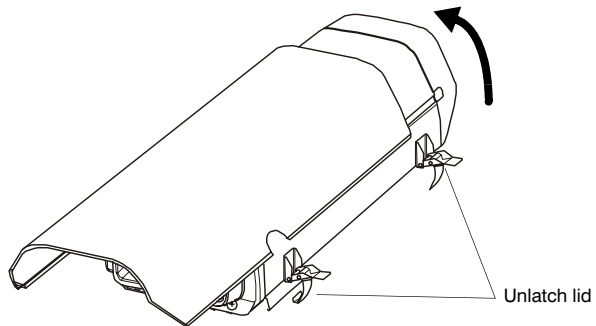
To correctly install the heater/blower and mount the camera, please follow the instructions in the order provided.

Preparing for Installation

1. If applicable, move the sunshield by sliding it forward on the main housing unit. Set the sunshield aside until needed.



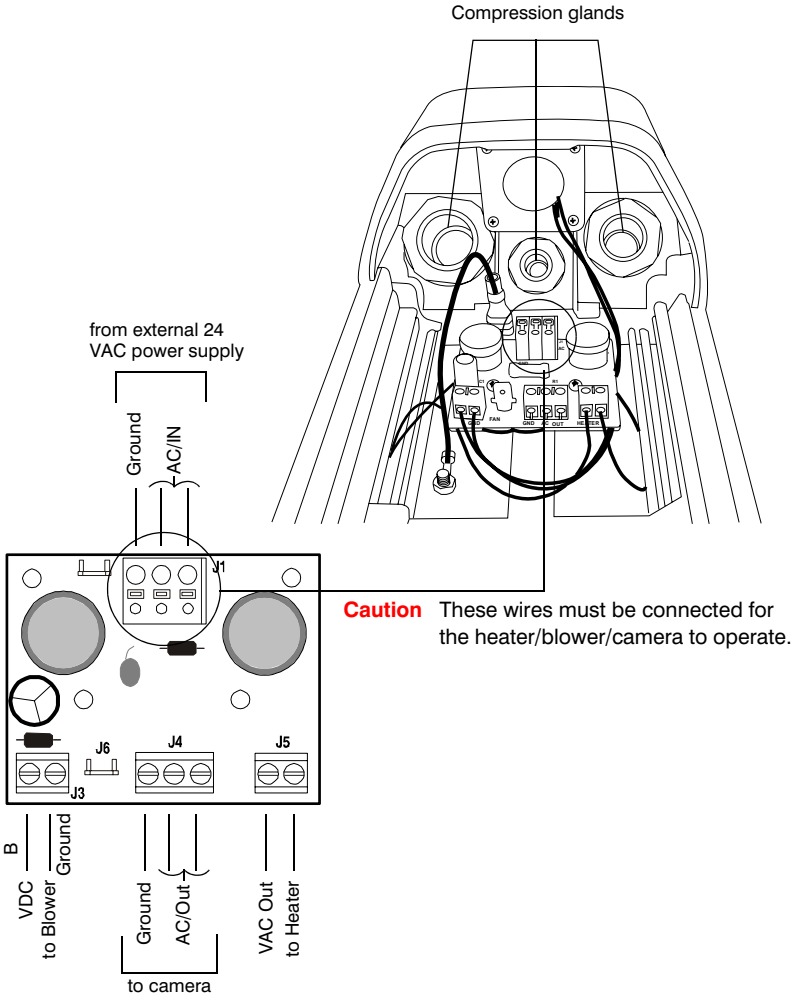
2. Unlatch the lid and open the upper body.



3. Remove the dessicant bag from the protective packaging and place the bag inside the housing to absorb moisture.
4. Close the housing.
5. Locate the gold, 1/4" x 20 panhead UNC screws and set them aside for use later.

Connecting the Heater/Blower (HHC12WM2 Model Only)

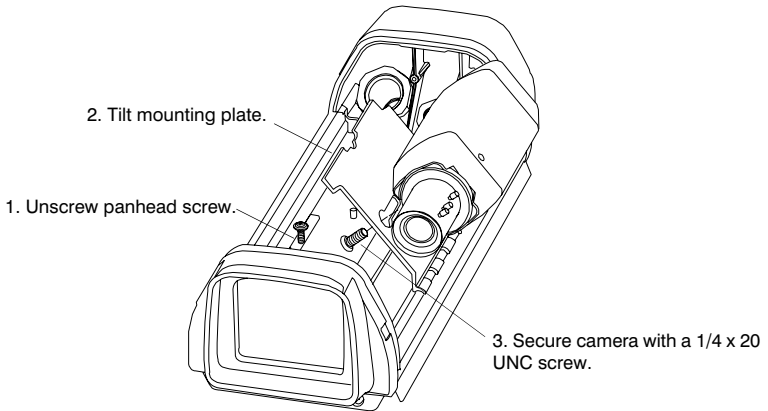
Feed the external power supply (not included) through one of the compression glands, then connect to the circuit board. The recommended power supply is 24 VAC, 50VA.



Mounting the Camera

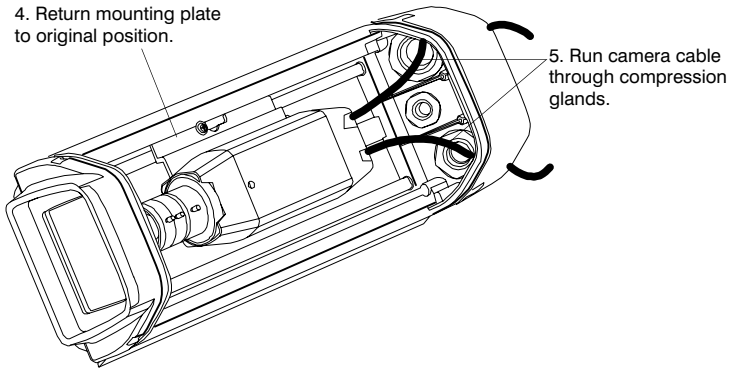
This section describes how to install a camera into any of the HHC12 series camera housings.

1. Remove the mounting plate from the lower body by unscrewing one Philips panhead screw. Set the screw aside.

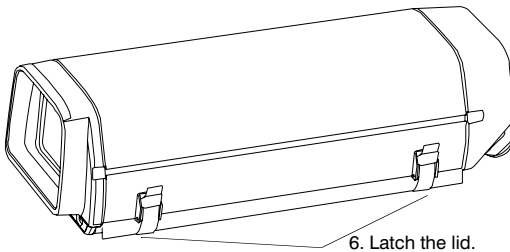


2. Tilt the mounting plate as shown.
3. Mount the camera onto the mounting plate and secure with the 1/2" Philips panhead screw. You may need to turn the mounting plate over to better accommodate your camera.
4. Place the mounting plate in its original position and secure the assembling by tightening the Philips panhead screw through the mounting plate into the lower body of the housing.

5. Run the camera cable through the compression glands and make all necessary electrical connections (refer to the guide that came with your camera). Make sure that the compression glands are firmly fixed.



6. Reassemble the housing unit by closing the upper body and latching the lid tight.

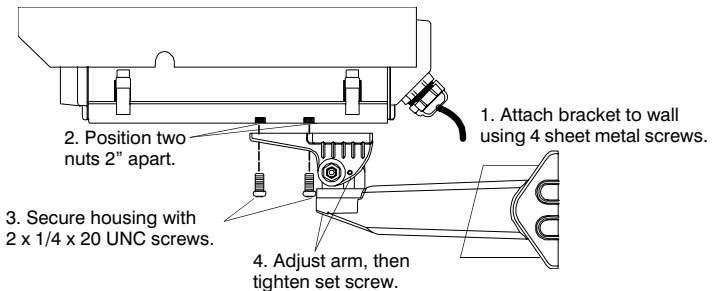


7. If applicable, reinstall the sunshield by sliding it across the top of the housing.

Mounting the Wall Bracket

To mount the wall bracket:

1. Use fasteners of an appropriate size and type to attach the bracket to the wall surface. Position the housing so that it allows for viewing the selected area.
2. Locate the two nuts that freely slide along the channel. Position the nuts approximately 2 inches from each other.
3. Place the housing onto the mount, aligning the holes. Insert the two 1/4"-20 UNC screws (supplied) through the mount and into the nuts and tighten to secure the assembly.
4. Adjust the moveable arm of the wall bracket to attain the desired position.
5. Tighten the bolt located at the pivot point of the movable arm and tighten set screw.



Maintenance

Regularly scheduled maintenance prolongs the operational life and appearance of equipment.

On a regular basis, perform the following:

- Clean the viewing area window with a soft cloth using a mild detergent and water to maintain picture quality.
- Verify that all mounting hardware is secure.

Specifications

Housing Specifications

Dimensions: (with sunshield)	5.8 x 4.6 x 16.0 in. (147 x 118 x 406 mm)
Weight:	
HHC1200	4.2 lbs (1.9 kg)
HHC12WM2	5.5 lbs (2.5 kg) (without mount)
Max. camera size:	Accommodates camera/lens combinations (including BNC) up to:
HHC1200	3.1 x 3.2 x 11.4 in (78 x 82 x 290 mm)
HHC12WM	3.1 x 3.2 x 11.4 in (78 x 82 x 290 mm)
HHC12WM2	3.1 x 3.2 x 9.0 in (78 x 82 x 230 mm)
Viewing area:	2.9 x 2.4 in (73 x 61 mm)
Viewing window:	Clear 1/8" double-density glass
Construction:	Extruded and die-cast aluminum
Finish:	Epoxy power coating
Environment:	Indoor/outdoor: -4°F to 140°F (-20°C to 60°C) IP66 rated
Camera mounting:	Slotted camera sled
Recommended mounts:	HHMC21J (Ceiling "J" mount) HHMW13 (Wall mount) HHMCMA (Corner mount adapter) HHMPMA (Pole mount adapter)
Cable entry:	3 compression fittings: PG9, PG16, PG21

Sunshield Specifications

Dimensions: (sunshield only)	5.8 x 4.6 x 16.0 in. (147 x 118 x 406 mm)
Weight:	1.22 lbs (0.52 kg)

Heater (HHC12WM2) Specifications

Power Supply:	24 VAC
Power Consumption:	20 W
Heater ON:	Heater turns ON at 41°F (5°C)
Heater OFF:	Heater turns OFF at 59°F (15°C)

Blower (HHC12WM2) Specifications

Power Supply:	24 VAC
Power Consumption:	3.4 W
Blower ON:	Blower turns ON at 95°F (35°C)
Blower OFF:	Blower turns OFF at 68°F (20°C)

Honeywell Video Systems (Head Office)

2700 Blankenbaker Pkwy, Suite 150
Louisville, KY 40299, USA
www.honeywellvideo.com
☎ +1.800.796.2288

Honeywell Security Australia Pty Ltd.

Unit 5, Riverside Centre, 24-28 River Road West
Parramatta, NSW 2150, Australia
www.ademco.com.au
☎ +61.2.8837.9300

Honeywell Security Asia Pacific

33/F Tower A, City Center, 100 Zun Yi Road
Shanghai 200051, China
www.security.honeywell.com/cn
☎ +86 21.2527.4568

Honeywell Security Asia

Flat A, 16/F, CDW Building, 388 Castle Peak Road
Tsuen Wan, N.T., Hong Kong
www.security.honeywell.com/hk
☎ +852.2405.2323

Honeywell Security France

Parc Gutenberg, 8, Voie La Cardon
91120, Palaiseau, France
www.honeywell.com/security/fr
☎ +33.01.64.53.80.40

Honeywell Security Italia SpA

Via Treviso 2 / 4
31020 San Vendemiano
Treviso, Italy
www.honeywell.com/security/it
☎ +39.04.38.36.51

Honeywell Security España

Calle Vivero, 5, 28040
Madrid, Spain
www.honeywell.com/security/es
☎ +34.91.102.5900

Honeywell Video Systems Northern Europe

Network 121
1446 WV Purmerend, The Netherlands
www.SecurityHouse.nl
☎ +31.299.410.200

Honeywell Video Systems UK Ltd.

Aston Fields Road, Whitehouse Ind Est
Runcorn, Cheshire, WA7 3DL, UK
www.honeywellvideo.com
☎ +0844 8000 235

Honeywell Security South Africa

Unit 6 Galaxy Park, 17 Galaxy Avenue
Linbro Park, P.O. Box 59904
2100 Kengray, Johannesburg, South Africa
www.honeywell.co.za
☎ +27.11.574.2500

Honeywell Security Germany

Großenbaumer Weg 8
40472 Düsseldorf, Germany
www.honeywell-security.de
☎ +49.211.41.50.90

Honeywell Security Poland

Chmielewskiego 22a, 70-028
Szczecin, Polska
www.ultrak.pl
☎ +48.91.485.40.60

Honeywell Security Czech Republic

Havránkova 33, Brno
Dolní Heršpice, 619 00, Czech Republic
www.olympo.cz
☎ +420.543.558.111

Honeywell Security Slovakia Republic

Vajnorská 142, 83104 Bratislava
Slovakia
www.olympo.sk
☎ +421.2.444.54.660

Honeywell

Video Systems

www.honeywellvideo.com

+1.800.796.CCTV (North America only)

Document 900.0559 Rev 1.01 04/06

© 2006 Honeywell International Inc. All rights reserved. No part of this publication may be reproduced by any means without written permission from Honeywell Video Systems. The information in this publication is believed to be accurate in all respects. However, Honeywell Video Systems cannot assume responsibility for any consequences resulting from the use thereof. The information contained herein is subject to change without notice. Revisions or new editions to this publication may be issued to incorporate such changes.