

HDSP1

SURGE PROTECTOR FOR VIDEO, POWER AND DATA

The Honeywell HDSP1 surge protector provides superior protection against voltage spikes that can disable and permanently damage video equipment, such as PTZ cameras and recorders, resulting in loss of important data. Designed primarily for use with Honeywell surveillance systems, the HDSP1 surge protector is a necessary component to any PTZ camera system providing continuous critical data.

Power surges are sudden increases in the voltage that powers your security system. These are common occurrences that normally go unnoticed, lasting only a fraction of a second. Yet, the adverse effects can decrease the life of electronic equipment, cause irreversible damage and cause interruption of service. While lightning is the most obvious and causes the most damage, the utility company is constantly generating irregular current resulting from overburdened power grids causing rolling surges as power stations adjust to regulate voltage. Something as simple as turning on an air conditioner can cause a surge in voltage. Honeywell's HDSP1 can guard against damaging surges and keep surveillance systems protected and operating smoothly.

Market Opportunities

The Honeywell HDSP1 surge protector is the most dependable and cost efficient method to ensure video surveillance systems operate without interruption or damage caused by voltage spikes.

With the featured surge protection for data, the HDSP1 is ideal selection for all power supplies of the PTZ dome camera installations. The HDSP1 is designed to protect any of the important PTZ data against any power surges.

Complete integrated network protection is offered in this essential system component. Costly service calls and down time can be virtually eliminated with the easy-to-install Honeywell HDSP1 Surge Protector.

Features

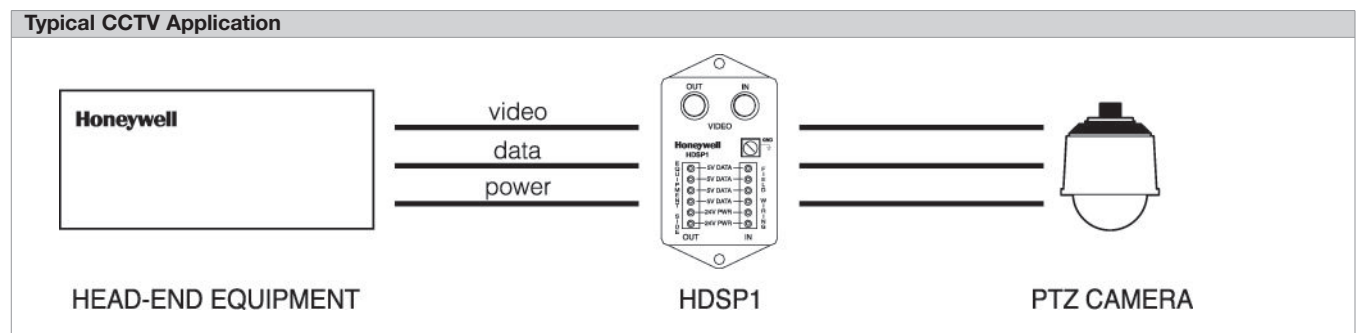
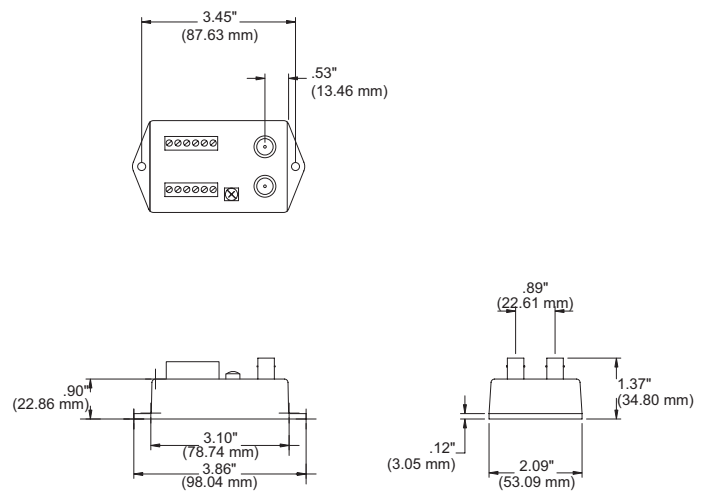
- Dependable protection for PTZ cameras, recorders and electronic surveillance equipment
- Terminal strip connections for power and data
- BNC connections for video
- Single point grounding
- Will not degrade video image
- High-impact resistant housing
- Three-year warranty
- Lightweight
- Low-profile



SPECIFICATIONS

Video Protection	
Service Voltage	2 Vp-p @ 75 Ohms
Clamping Voltage	2.8 VDC
Band Pass	0 to 2 GHz
Insertion Loss	<1.0dB @ 3.0 to 4.5 MHz
Peak Pulse Current	1056 A
Data Protection	
Service Voltage	5 VDC
Clamping Voltage	6.8 VDC
Peak Pulse Current	2000 A
Voltage Protection	
Service Voltage	24 VAC/VDC
Clamping	33 VAC/47 VDC
Peak Pulse Current	3000 A
Mechanical	
Dimension (W x H x D)	See line drawing
Weight	2.5 oz. (73 g)
Construction	Housing: High impact plastic Finish: Gray
Connections	Power: Terminal Strip (14-22 AWG) Video: BNC Female In/Out, 75 Ohms Data: Terminal Strip (14-22 AWG)

Environmental	
Temperature	Operating: +14° to +140° F (-10° to 60° C) Storage: -4° to +140° F (-20° to 60° C)
Relative Humidity	0 to 98% non-condensing
Regulatory	
Emissions	CE: EN50081-1
Immunity	CE: EN50130-4



Ordering	
HDSP1	PTZ Camera Surge Protector

NOTE: Honeywell reserves the right, without notification, to make changes in product design or specifications.

Honeywell Security

Honeywell Video Systems
2700 Blankenbaker Pkwy, Suite 150
Louisville, KY 40299
1.800.796.CCTV
www.honeywell.com

L/HDSP1D/D
January 2008
© 2008 Honeywell International Inc.