

HD2FC1/HD2FM1

Honeywell Video System

Honeywell Video Systems HD2FC1 and HD2FM1 indoor domes provide a versatile, cost-effective, integrated surveillance solution. With a compact size of 2", a high-quality CCD sensor and a precision lens are packaged within this sleek, attractive housing. Both models are easy to install and offer the flexibility of mounting on a wall or a ceiling.

The HD2FC1 is a standard resolution color camera and comes equipped with both a 3.0mm lens for a wide field of view, and an 6.0mm lens for standard field of view. The HD2FM1 is a standard resolution black and white camera and comes equipped with both a 3.8mm lens for a wide field of view, and an 8.0mm lens for standard field of view. Both cameras deliver crisp, detailed images, with 330 TVL of resolution for the HD2FC1, and 380 TVL of resolution for the HD2FM1. The camera's Automatic Backlight Compensation (BLC) makes it possible to view scenes with extreme contrasts. Automatic Gain Control (AGC), the camera's internal amplifier, increases signal strength when



there are insufficient lighting conditions. The HD2FC1 and HD2FM1 also feature Auto Electronic Shutter (AES), which compensates for changes in light conditions by adjusting shutter speed.

Honeywell's HD2FC1 and HD2FM1 can be installed quickly and easily with only two wire connections – video and power. Power can be supplied to the dome by connecting the pre-stripped flying lead (supplied) to a remote power supply. Or, a standard 12 VDC power supply's existing female in-line connector may be mated directly to the dome's male connector. Once installed, the optimal field of view can be obtained using the dome's 360° rotation and 90° tilt adjustments. No backfocusing of the lens is necessary.

With their quality images, simple installation and attractive cosmetic appearance, the HD2FC1 and HD2FM1 are ideal surveillance solutions for virtually any indoor environment.

FEATURES

- Wall or ceiling mount
- 360° rotation/90° tilt
- Low cost/low profile
- Automatic gain control
- Backlight compensation
- Includes wide angle and standard view lenses
- 12 VDC power input
- Easy to install

HD2FC1/HD2FM1

Honeywell Video System

SPECIFICATIONS

HD2FC1 Operational

- Image Sensor: 1/4" High Sensitivity CCD
- Effective Pixels: 510(H) x 492(V) NTSC
- Sensitivity: 3.2 lux at f2.0
- Resolution: 330 TVL
- Video Output: 1.0Vp-p, 75 ohm, Unbalanced
- Signal to Noise Ratio: >46dB
- AGC: Auto
- Back-light Compensation: On/Off
- Sync. System: Internal
- Light Loss (Bubble): f0.5
- White Balance: Auto
- ATW Range: 2700k-9100k

HD2FM1 Operational

- Image Sensor : 1/3" High Sensitivity CCD
- Scanning System: 2:1 Interlace
- Signal to Noise Ratio: >48dB
- Sync. System: Internal
- Resolution: 380 TVL
- Effective Pixels: 512(H) x 492(V) EIA
- Sensitivity: 0.8 lux at f2.0
- Video Output: 1.0Vp-p, 75 ohm, Unbalanced
- AGC: On/Off
- Back-Light Compensation: On/Off
- Light Loss (Bubble): f0.5

Fixed Lens

- HD2FC1 3.0mm and 6.0mm
- HD2FM1 3.8mm and 8.0mm

Mechanical

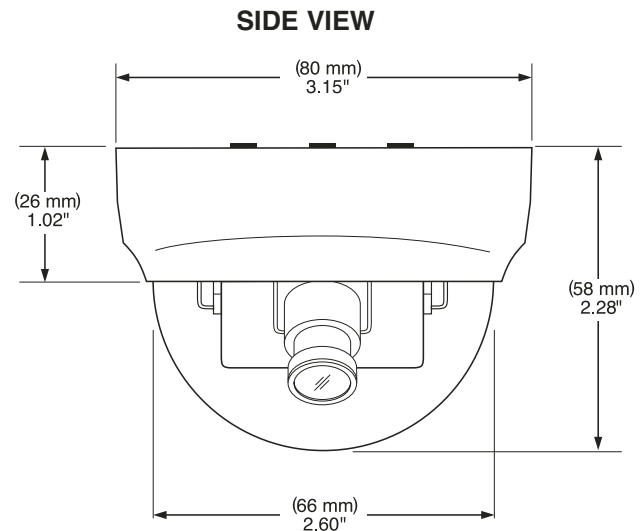
- Height: 2.28" (58mm)
- Bubble Diameter 2.60" (66mm)
- Weight 2.83 ounces (80g)
- Dimensions: 3.15"(W) x 2.28"(D)
- Video Output: BNC connector
- Power Input: Flying leads

Environmental

- Operating Temp.: 23°F to 113°F (-5°C to +45°C)
- Operating Humidity: 20% to 80% relative humidity

Electrical

- Power Supply 12 VDC
- Power Consumption 1.5W max



ORDERING

HD2FC1 1/4" CCD Standard Resolution Color CCD Dome Camera, 330 TVL, NTSC Format

HD2FM1 1/3" CCD Standard Resolution Monochrome CCD Dome Camera, 380 TVL, EIA Format

Honeywell Access Systems

135 W. Forest Hill Avenue
Oak Creek, WI 53154
414 766 1700
414 766 1798 Fax
www.honeywell.com

L/HD2FC1/D
January 2005
©2005 Honeywell International Inc.

Honeywell