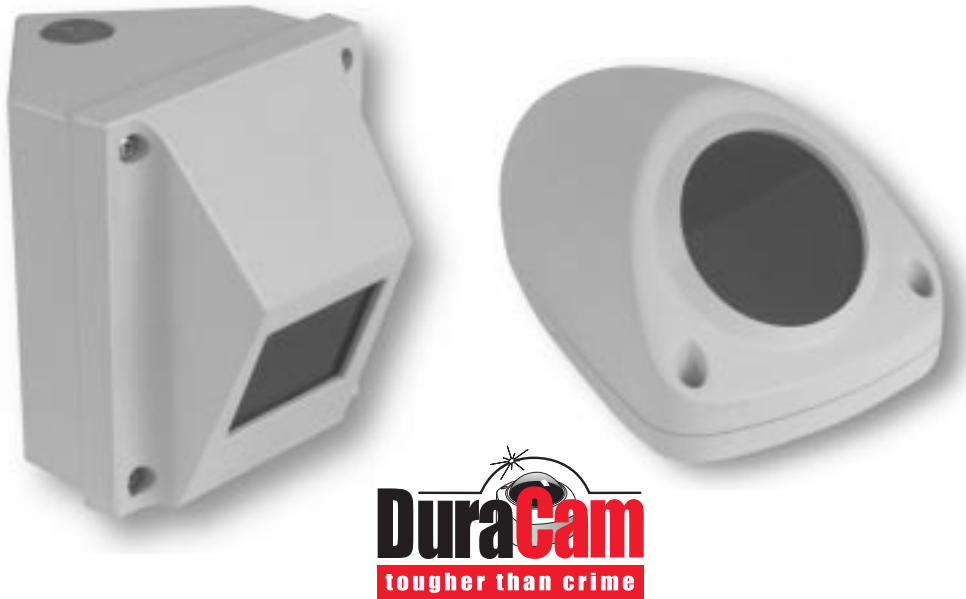


DuraCam

VK SERIES MINI RUGGEDIZED CORNER AND WEDGE CAMERA ENCLOSURE



Combine the high performance and dependability of our miniature cameras with the durability and strength of our sleek new mini rugged housings, and you have Ultrak's new DuraCam. The DuraCam mini ruggedized housings combine the most advanced camera technology with the latest impact resistance materials to deliver the best value and protection for your most challenging applications. Whether you are protecting an apartment complex, shopping mall, airport or a maximum-security correction facility, DuraCam has the solution to fit your most demanding applications indoors or out.

Each DuraCam VK series mini ruggedized corner and wedge housing utilizes a 1/3" high performance camera and comes standard with a 3.6mm fixed mini lens. Lenses are available in 2.9mm, 8mm, 12mm focal length options.

Installation is quick and easy with all the tamper proof mounting hardware included. Each DuraCam comes standard with 24 VAC operation and line lock. No job is too big or small for the uncompromising performance of the DuraCam impact resistance dome. When you're cornered by a tough job or wedged into a tight spot, let DuraCam's rugged corner and wedge housings get you back on the job.

- Durable, impact and vandal resistant
- Puncture proof
- High resolution color (470TVL) or standard resolution B/W
- 24 VAC operation with line lock
- Standard 3.6mm
- Optional fixed lens, 2.9mm, 8mm, 12mm
- Varifocal lens options
- DC auto iris varifocal option
- Simple installation
- Corner and wedge chassis
- 1/2" and 3/4" threaded NPT opening on top and side (surface dome)
- Manual tilt adjustment
- Tamper-resistant hardware included
- Indoor/outdoor (IP66 rated)

TECHNICAL SPECIFICATIONS

MODELS

HIGH RES COLOR	VK74C36S	DuraCam corner mount, color high res, 3.6mm fixed lens, 24 VAC/LL
	VK74CVMS	DuraCam corner mount, color high res, 4-8mm manual varifocal , 24 VAC/LL
	VK74CVAC	Same as VK74CVMS except with 4-8mm auto iris
	VK74W36S	DuraCam wedge , color high res, 3.6mm fixed lens, 24 VAC/LL
	VK74WVMS	DuraCam wedge , color high res, 4-8mm manual varifocal , 24 VAC/LL
	VK74WVAC	Same as VK74WVMS except with 4-8mm auto iris

STANDARD RES 88W	VK44C36S	DuraCam corner mount, b/w std res, 3.6mm fixed lens, 24 VAC/LL
	VK44CVMS	DuraCam corner mount, b/w std res, 4-8mm manual varifocal , 24 VAC/LL
	VK44VAS	Same as VK74VMS except with 4-8mm auto iris
	VK44W36S	DuraCam wedge , b/w std res, 3.6mm fixed lens, 24 VAC/LL
	VK44WVMS	DuraCam wedge , b/w std res, 4-8mm manual varifocal , 24 VAC/LL
	VK44WVAS	Same as VK44WVMS except with 4-8mm auto iris

VKH020W Heater option for all DuraCam models

POWER

Power Source	AC24V(10%)
Power Consumption	4.6 W (color) / 2.5 W (b/w)

SENSOR AND GENERAL INFORMATION

Image Sensor	1/3" interline transfer CCD
Picture Element	(VK74) 768(H) x 494(V) [752(H) x 582(V)]
Picture Element	(VK44) 510(H) x 494(V) [500(H) x 582(V)]
Scanning System	2:1 interlace
Scanning frequency	15.734KHz(H), 59.94Hz(V) [15.625KHz(H), 50Hz(V)]
Operating Temperature	14°F to 122°F (-10°C to +50°C)
Sync. System	Line lock
Electronic shutter	1/60 ~ 1/100,000 sec.

VIDEO

Signal Format	(VK74) NTSC
Signal Format	(VK44) EIA
Resolution	(VK74) 470 TV lines
Resolution	(VK44) 380 TV lines
Min. Illumination	(VK74) 2.8 lux (F2.0, 50IRE, Clear) (VK74XVM) 3.7 lux @ F1.2
Min. Illumination	(VK44) 0.2 lux (F2.0, 50IRE, Clear) (VK44XVM) 1.2 lux @ F2.0
Video Output	1.0 Vp-p, 75 ohm unbalanced
S/N Ratio	46dB (AGC OFF)
BLC	40% center (BLC ON)
Sync Level	40 IRE
AGC	ON Fixed

FUNCTION

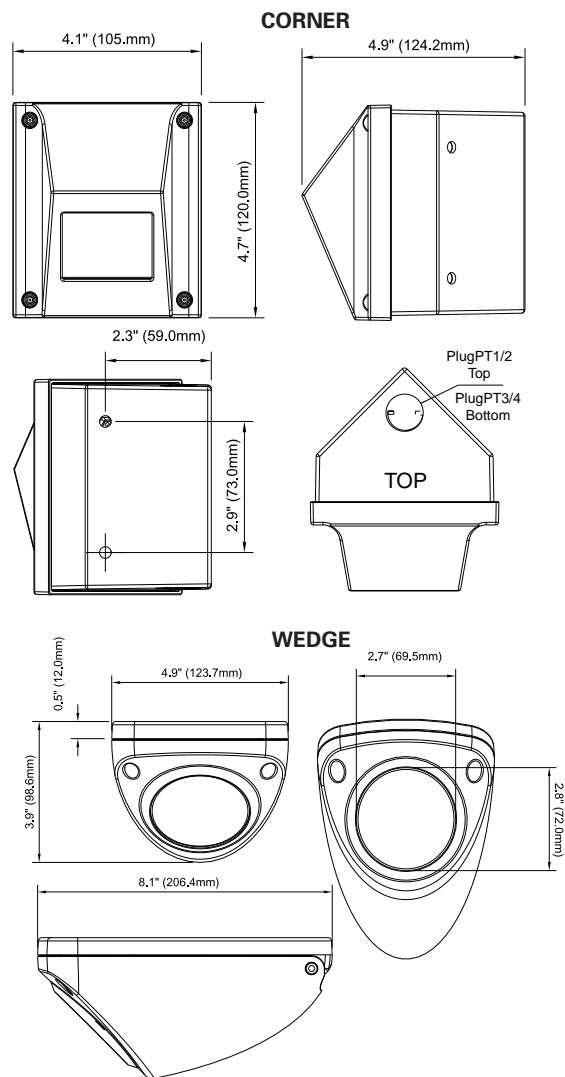
Line Lock Phase	300°
Shutter Speed	Auto
White Balance	(VK74) AWB (2500°K ~ 8500°K)
E/I	On Fixed
Gamma	ON (0.45) Fixed

CONNECTOR & MECHANICAL

Video & Power In/Out	BNC connector / 2pin wire
Lens	f=3.6mm, Fixed iris (F2.0)

OPTIONAL LENSES

VKL12FB	DuraCam lens, 12mm for black and white camera
VKL12FC	DuraCam lens, 12mm for color camera
VKL29FB	DuraCam lens, 2.9mm for black and white camera
VKL29FC	DuraCam lens, 2.9mm for color camera
VKL36FB	DuraCam lens, 3.6mm for black and white camera
VKL36FC	DuraCam lens, 3.6mm for color camera
VKL08FB	DuraCam lens, 8mm for black and white camera
VKL08FC	DuraCam lens, 8mm for color camera



Design and specifications subject to change without notice.

Conversion: 1" = 25.4mm
Measurement conversions are approximate

Ultrak Worldwide Support Center:

1301 Waters Ridge Drive
Lewisville, TX 75057
(800) 796-2288 (972) 353-6500
Fax (972) 353-6670



www.ultrak.com