

Performance Series IP NVRs

Cloud-Hosted Video

Now, Performance Series IP NVRs are integrated with MAXPRO Cloud. MAXPRO® Cloud is a fully integrated access control and video security as a service platform. Ideal for small to medium businesses MAXPRO Cloud makes single or multi-site building security simple and scalable. Users can manage their security system from anywhere at any time via any standard web browser or our innovative award-winning app.

Remote configuration and management of sites, devices, schedules and users reduces operational costs and streamlines efficiencies across multi-site installations.

Our cloud-ready range of ENVRs makes installation easy with plug and play connectivity, auto registration of cameras and cloud-based configuration, reducing your creation costs and installation time.



- Cloud-hosted, scalable, expandable, efficient—no servers or software required
- Secure, HTTPS login and 256 bit encryption, high availability data centers
- Integrated access control and video with plug and play device connection
- Preconfigure accounts, sites, schedules and people, saving installation time at site
- Configure and manage sites, devices, schedules and users across multiple sites from the cloud
- Designed for small to medium, single or multi-site businesses
- Device firmware can be pushed from the cloud without having to roll a truck
- Easily grow and scale with your customers needs

Retail



Professional Services



Convenience



Commercial Offices



Remote Facilities



Property Management



Performance Series IP NVRs

SYSTEM BENEFITS

- Secure cloud-based managed video
- Plug and play cloud-ready ENVRs 4, 8, 16 Ch
- Multi-site video deployments made easy with cloud-based configuration and management
- Multi-site video from anywhere via standard web browser
- Multi-site management via app for iOS and Android™
- Local and cloud-based video storage at your fingertips
- Automated and scheduled reporting
- Easy-to-install and cost-effective
- Fully scalable architecture with distributed deployment
- Manage user credentials across large scale deployments
- Remote configuration reduces truck rolls
- Remote firmware updates
- Map-based configuration and management
- Real-time notifications with event clips
- Health and status of cameras and devices across all customer locations

Intuitive User Interface

- Customizable Dashboards
- Google Maps Based Overlay
- Reports/Scheduler
- Integrated Access Control and Video Viewer
- Dynamic Floor Plans
- Real-time Alarm/Event Monitoring



Powerful Mobile App

- Dashboard View, Health and Status and Events
- Multi-location Site Management Access and Video
- Remotely Lock and Unlock Doors
- User Access Management
- Integrated Access Control and Video Viewer
- Recorded Video Playback
- Alarms and Notifications

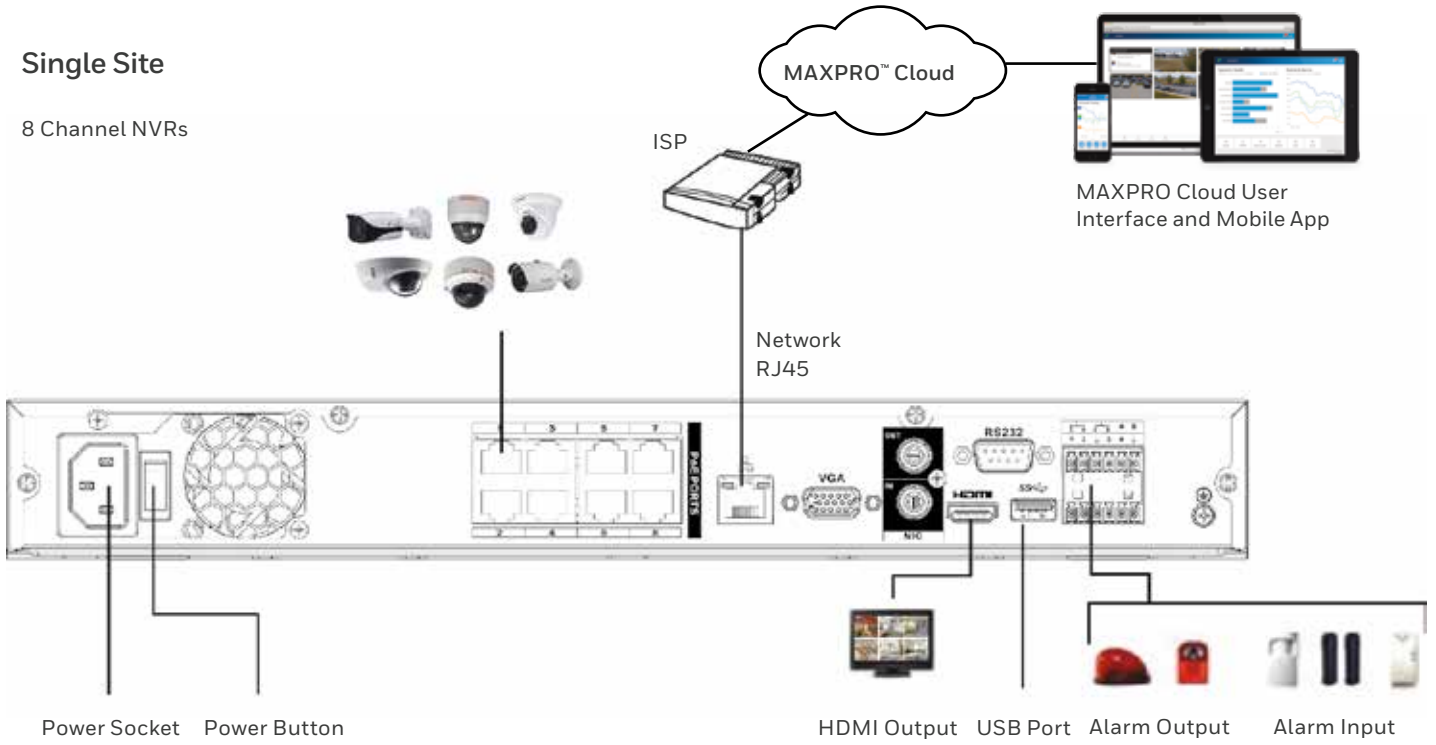


Performance Series IP NVRs

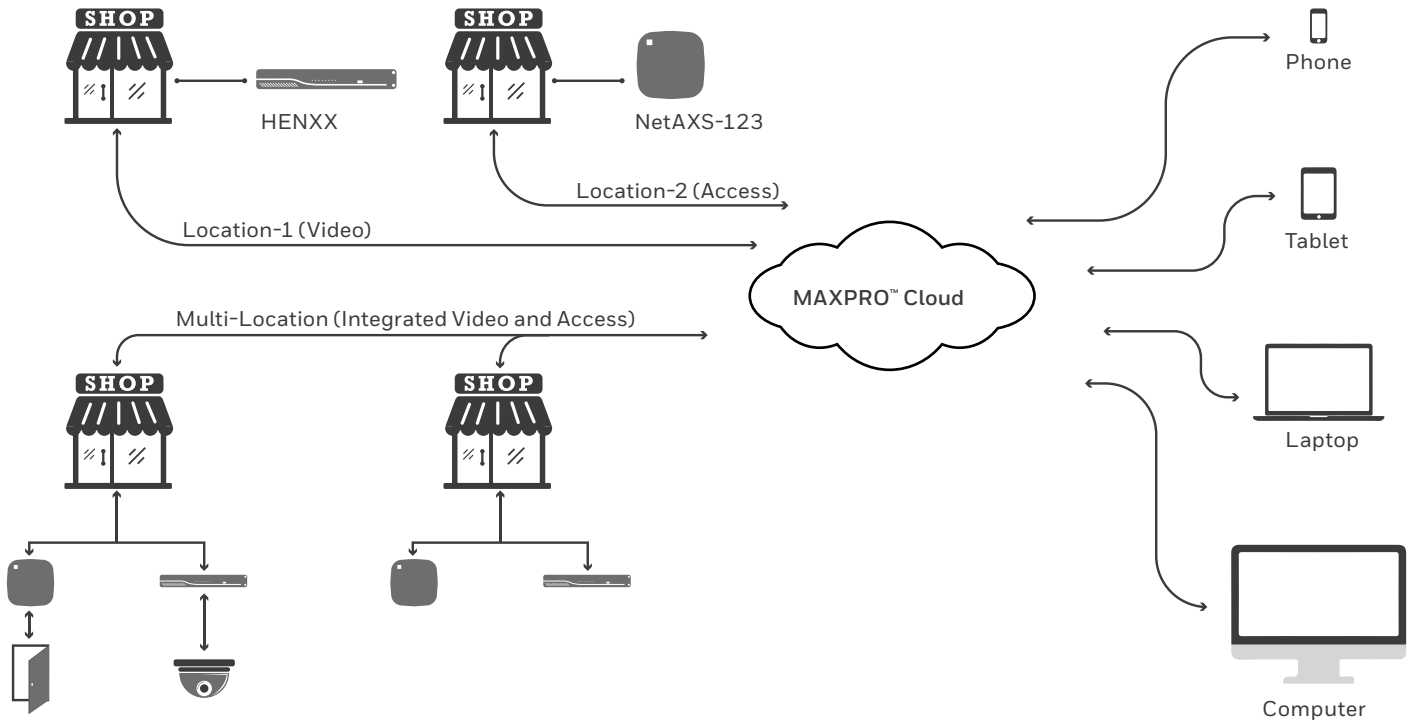
MAXPRO™ CLOUD SYSTEM OVERVIEW

Single Site

8 Channel NVRs



Multi-site Integrated Video and Access Control



Performance Series IP NVRs

QUICK REFERENCE GUIDE



ORDERING	
HEN04112	H.264 4 CH NVR 1 TB, 4 PoE
HEN04122	H.264 4 CH NVR 2 TB, 4 PoE
HEN08112	H.264 8 CH NVR 1 TB, 8 PoE
HEN08122	H.264 8 CH NVR 2 TB, 8 PoE
HEN08142	H.264 8 CH NVR 4 TB, 8 PoE
HEN16122	H.264 16 CH NVR 2 TB, 16 PoE
HEN16142	H.264 16 CH NVR 4 TB, 16 PoE
HEN16162	H.264 16 CH NVR 6 TB, 16 PoE

RECOMMENDED CAMERAS & ENCODERS

ENCODERS	HVE1, HVE4*, HVE8*			
	Indoor		Rugged Indoor/Outdoor	
	Performance	equiP	Performance	equiP
3" DOME		H3W2GR1, H3W2GR2, H3W4GR1		
4" DOME			H4D3PRV2, H4D3PRV3, H4D2PRV2	H4L2GR1, H4W2GR1, H4W2GR2, H4W4GR1
BULLET			HBD1PR1, HBD3PR1, HBD3PR2, HBD2PR1, HBD2PRV2	HBW2GR1, HBW2GR3, HBL2GR1, HBW4GR1
BALL/MICRO			HED1PR3, HED3PR3, H2D2PR1	
BOX		HCW2G, HCL2G, HCW4G**		
PTZ				HDZ302LIK, HDZ302LIW***

* Requires set up in ENVR menu

** Can be outdoor with recommended housings

*** PTZ are view only require separate control

RECOMMENDED CABLE

5e	6330	CAT5e, 4 Pair, UTP, 24 AWG
6	6360	CAT6, 4 Pair, UTP, 23 AWG

RECOMMENDED ACCESSORIES

HEN48VPS4CH	48 V DC for 4 CH ENVR Power Adapter
HEN48VPS816CH	48 V DC for 8 CH and 16 CH ENVR Power Adapter
HENHQA12VPS	12 V DC, 5A for ENVR and HQA DVR Power Adapter
HENHQATRAY	

SYSTEM INTEGRATION

OPEN IP INTEGRATION

ONVIF support and open API software integration. Refer to www.onvif.org for the ONVIF specification and the Honeywell Open Technology Alliance website (<http://www.security.honeywell.com/hota/>) to learn more about our open and integrated solutions



Performance Series IP NVRs

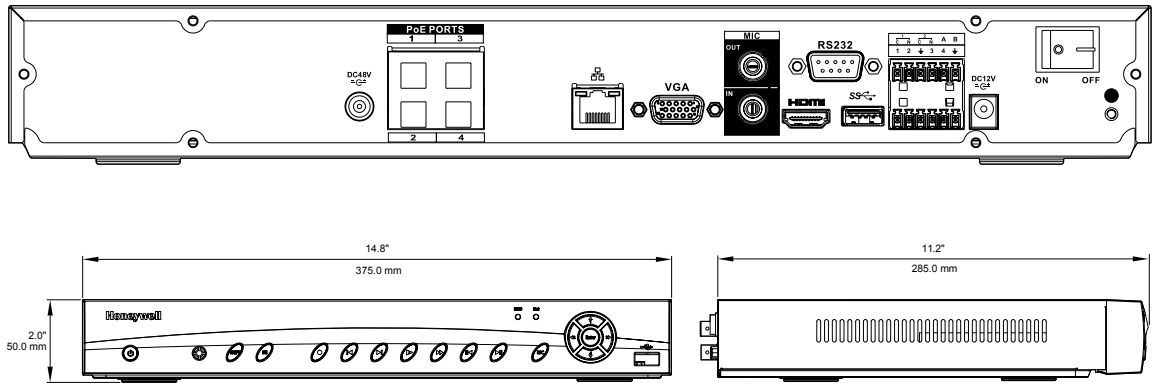
MAXPRO® CLOUD TECHNICAL SPECIFICATIONS

SYSTEM		VIDEO SEARCH, PLAYBACK, CLIP EXPORT	
MAIN PROCESSOR	Dual-core embedded processor	VIDEO SEARCH	VMD, Input Trigger, Rule Trigger, User Trigger
OPERATING SYSTEM	Embedded LINUX	EVENT SEARCH	Playback from Alarms
VIDEO		PLAYBACK FUNCTION	Play, Pause, Jump Forward or Reverse
IP CAMERA INPUTS	4/8/16 channels	CLIP EXPORT	Onsite, Offsite
WEB CLIENT SYSTEM		SITE CONFIGURATION	
BROWSERS	Chrome, Safari, IE 9 and above	CUSTOMER/ACCOUNT	
OPERATING SYSTEMS	Windows, MAC	SITE OR GROUP	
MOBILE	IOS, Android	MULTIPLE DEVICE	(Video/Access, under same site)
SECURITY	HTTPS Login, User based privilege	PEOPLE	(Users with different access level)
LIVE VIEW		LOCATION ON MAP	
SECONDARY STREAM	H.264 Live Video	TIME ZONE	
STREAMING	HLS, Image Streaming	FIRMWARE PUSH TO DEVICE	
RESOLUTIONS	5MP, 4MP, 3MP, 1080p, 720p, D1, CIF	FLOOR MAP	
FRAME RATE	Up to 30FPS	REBOOT DEVICE	
NUMBER OF LIVE SESSION	Unlimited	UPDATE DEVICE PASSWORD	
SALVO VIEW	1/4/6/8 (Configurable)	SYNC DEVICE	
SITES IN SALVOS	Multi-site	CAMERA CONFIGURATION	
ON-SITE RECORDING		RECORDING PRE-EVENT, POST-EVENT	
PRIMARY STREAM	H.264 Recorded Video	ADD DISCOVERED NETWORK CAMERAS	
STREAMING	HLS, Image Streaming	RESOLUTION, FPS	(Primary and Secondary Streams)
RESOLUTIONS	5MP, 4MP, 3MP, 1080p, 720p, D1, CIF	RECORDING SCHEDULE	(Continuous and Event)
FRAME RATE	Up to 30FPS	ALARM RULES	
RECORDING MODE	VMD, Input Trigger, Rule Trigger, User Trigger, Schedule recording (24*7)	I/O CONFIGURATION	
RECORDING DURATION	Pre-event + Event duration + Post-event	STORAGE INFO/FORMAT	
PRE-EVENT	1-30 seconds	VMD CONFIGURATION	Enable VMD and Region from ENVR Local View
POST-EVENT	10-300 seconds	OFFLINE CONFIGURATION DOWNLOAD	Not yet supported
ONSITE PLAYBACK SESSION	6 active sessions per NVR	EVENTS	
OFFSITE RECORDING		VMD, ALARM INPUT TRIGGER, RULE-BASED TRIGGER	
PRIMARY STREAM	H.264 video push	ALARM NOTIFICATIONS	
RESOLUTIONS	5MP, 4MP, 3MP, 1920X1080p, 1280X720p, D1, CIF	EMAIL WITH CLIP ATTACHMENT UPON ALARM	
FRAME RATE	Up to 30FPS	PUSH NOTIFICATION TO MOBILE DEVICES	
RECORDING MODE	VMD, Input Trigger, Rule Trigger, User Trigger	LOCAL DISPLAY	
EVENT RECORDING DURATION	Pre-event + Event duration + Post-event	DISPLAY SPLIT CONFIGURABLE	
PRE-EVENT	1-30 seconds	1, 4, 8, 9, 16 CHANNEL DISPLAY	
POST-EVENT	10-300 seconds	INTERFACE 1 HDMI; 1VGA	
CLOUD STORAGE	7, 15, 30, 45, 60, 90, 120, Days/FIFO	REGULATORY	
MAX NO OF STREAMING CLIENTS	Unlimited	EMISSIONS	FCC Part 15G, CE EN55022
		IMMUNITY	CE EN50130-4
		SAFETY	EU: EN60950-1 North America UL Listed to UL/CSA 60950-1

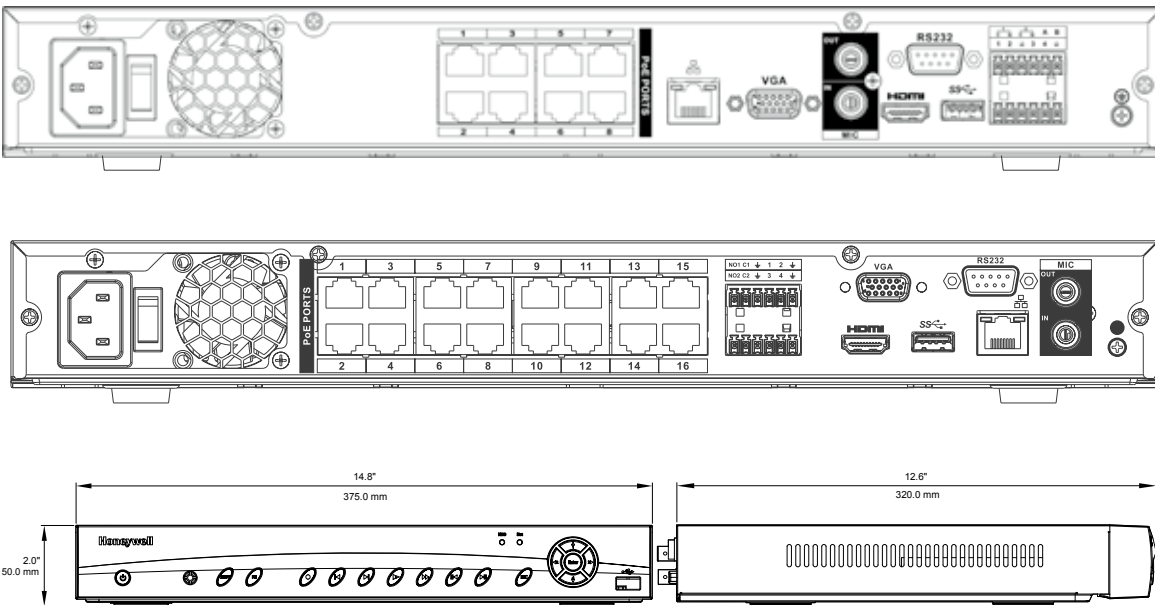
Performance Series IP NVRs

SPECIFICATIONS

4 Channel ENVR



8 and 16 Channel ENVR



Performance Series IP NVRs

BANDWIDTH, STORAGE & RECORDING QUICK REFERENCE GUIDE

BANDWIDTH REQUIREMENTS AT LOCAL SITE

EVENT-BASED CLOUD STORAGE

CHANNELS	4 Channel				8 Channel				16 Channel			
CLOUD-RECORDED CAMERAS	1		4		2		8		4		16	
RECORDING RESOLUTION	CIF	1080p	CIF	1080p	CIF	1080p	CIF	1080p	CIF	1080p	CIF	1080p
RECORDING FRAME RATE	30	30	30	30	30	30	30	30	30	30	30	30
LIVE VIEW RESOLUTION	CIF	4CIF	CIF	4CIF	CIF	4CIF	CIF	4CIF	CIF	4CIF	CIF	4CIF
LIVE VIEW FRAME RATE	15	15	15	15	15	15	15	15	15	15	15	15
RECOMMENDED UPLOAD BANDWIDTH	1mbps - 3mbps		2mbps - 4mbps		1mbps - 4mbps		3mbps - 8mbps		2mbps - 8mbps		4mbps - 16mbps	

ON-SITE STORAGE

CONTINUOUS RECORDING PLUS EVENT-BASED

NUMBER OF CAMERAS	4		8		16	
HARD DRIVES	Analog (CIF) 15FPS	IP (1080P) 15FPS	Analog (CIF) 15FPS	IP (1080P) 15FPS	Analog (CIF) 15FPS	IP (1080P) 15FPS
1 TB	120d	6d	60d	3d	30d	1.5d
2 TB	240d	12d	120d	6d	60d	3d
4 TB	480d	24d	240d	12d	120d	6d
6 TB	720d	36d	360d	18d	180d	9d

CLOUD STORAGE

MOTION/EVENT-BASED RECORDING

EVENT/TRIGGER	Motion Based, Input Trigger, Schedule (Configured in Rules)
RESOLUTION	CIF, 4CIF, 720p, 1080p, 3MP
FRAME RATE	1-30 FPS up to 1080p 1-15 FPS - 3MP
PRE-EVENT RECORDING	1-30 s 10 s
POST- EVENT RECORDING	1-300 s
EMAIL AND PUSH NOTIFICATION	Email with clip attachment/Mobile Push notification IOS/Android
NUMBER OF DAYS OF STORAGE	7 - 120 Days (Event Clips) 7 days included with Basic/30 days included with Premium
MOTION CONFIGURATION	Configured via ENVR local view for Honeywell Cameras

For more information:

www.honeywell.com/security

Honeywell Security and Fire

2 Corporate Center Dr. Suite 100

P.O. Box 9040

Melville, NY 11747

1.800.323.4576

www.honeywell.com

Honeywell reserves the right, without notification, to make changes in product design or specifications.

All trademarks are property of their respective owners.

L/ENVRCLDD/D | 01/17
© 2017 Honeywell International Inc.

Honeywell