

HB72B/HB72S/HB72W

SUPER HIGH RESOLUTION DAY/NIGHT BULLET CAMERA WITH INFRARED ILLUMINATORS

The Performance Series rounds out Honeywell's camera portfolio with a variety of indoor, outdoor and low light cameras that lets end users pick the perfect camera for virtually any installation. Ideal for a diverse range of applications, the Performance Series includes a wide range of high performing IR bullet cameras and mini-domes that are easy to install and even easier to use.

The HB72B/S/W IR bullet-style cameras come standard with IR illumination, making them perfect for 24/7 surveillance. When the ambient light drops below a user-defined threshold, the IR LEDs activate and the camera changes automatically from color to black and white, capturing perfect color pictures by day and clear black and white images at night.

The 4.3 mm lens offers a wide field of view to complement the 12 IR LEDs that can illuminate up to 45 feet, depending on scene reflectance. The 530 TVL sensor provides clean, crisp images in day and night conditions.

The HB72B/S/W cameras install easily and quickly. They come standard with a two-conductor pigtail that connects to the barrel connector so there is no need to cut wires during installation. The mounting bracket installs quickly and securely with three screws on walls or ceilings, indoors or out.

Market Opportunities

The HB72B/S/W is a cost effective surveillance solution for applications that experience changing light conditions throughout the day and require extra illumination at night. The HB72B/S/W offers a simple yet solid design that provides optimum performance for both indoor and outdoor applications including lobbies, atriums, vestibules, gated entrances, foyers, loading docks and driveways.

Features

- Discreet, bullet-style camera with 12 IR LEDs
- Weatherproof housing with IP 65 rating
- 4.3 mm lens
- Super high resolution color: 530 TVL - 1/3" Sony Super HAD CCD
- IR LED visible range of 45 ft. (15m)
- Easy to install mounting bracket reduces installation time
- Two-conductor pigtail is standard for connection to barrel connector
- Equalization valve prevents vacuum effect caused by sudden changes in barometric pressure
- Available in three housing colors – dark gray, silver and white



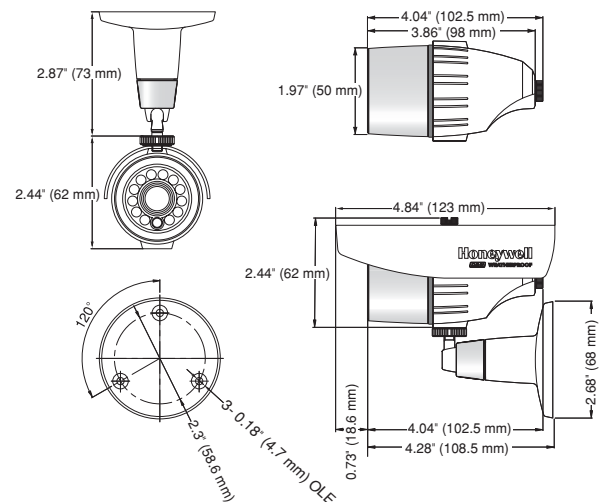
HB72B/HB72S/HB72W

www.honeywellvideo.com

SPECIFICATIONS

Operational	
Video Standard	NTSC, PAL
Scanning System	525/60 lines (NTSC) 625/50 lines (PAL)
Image Sensor	1/3" Sony HAD CCD sensor
Number of Pixels (H x V)	HB72: 811x508 (NTSC) HB72X: 795x596 (PAL)
Minimum Illumination	0.3 lux day/0 lux night, operates in complete darkness
Horizontal Resolution	530 TVL
Video Output	1.0 Vp-p @ 75 Ohms
Sync System	Internal
S/N Ratio	50 dB or more (AGC off)
Auto Gain Control	Off/On
Automatic Electronic Shutter	1/60–1/100,000 sec (NTSC) 1/50–1/100,000 sec (PAL)
Lens Type	4.3 mm
Horizontal Field of View	58.5°
White Balance	Auto
Gamma	0.45
IR LEDs	850 nm, 12 LEDs
IR Illumination Distance	45 ft (15m)
Electrical	
Input Voltage	12 VDC
Input Range	10 VDC – 15 VDC
Power Consumption	3.6 W (max) with IR LEDs on
Mechanical	
Dimensions	See Diagrams
Weight	1.3 lb (0.6 kg)
Construction	Finish: Brushed and anodized aluminum with sunshield
Color	HB72B – Dark Gray HB72S – Silver HB72W – White
Connector	Main Video Output: BNC connector Power Input: 10 VDC - 15 VDC

Environmental	
Temperature	Operating: 14°F to 113°F (-10°C to 45°C) Storage: -4°F to 149°F (-20°C to 65°C)
Rating	IP65
Regulatory	
Emissions	FCC CE: EN 55022 Class A
Immunity	CE: EN 50130-4
Safety	EU: EN 60065
Compatible Recorders	
Power Supplies	
HPT12DC500	12 VAC/500 mA Plug-in Regulated 2.1 mm Coaxial Plug UL Listed/CSA Certified



Ordering	
HB72B	1/3" CCD Super High Resolution IR Bullet Camera, 530 TVL, 4.3 mm, 12 IR LED, Dark Gray, NTSC
HB72S	1/3" CCD Super High Resolution IR Bullet Camera, 530 TVL, 4.3 mm, 12 IR LED, Silver, NTSC
HB72W	1/3" CCD Super High Resolution IR Bullet Camera, 530 TVL, 4.3 mm, 12 IR LED, White, NTSC
HB72BX	1/3" CCD Super High Resolution IR Bullet Camera, 530 TVL, 4.3 mm, 12 IR LED, Dark Gray, PAL
HB72SX	1/3" CCD Super High Resolution IR Bullet Camera, 530 TVL, 4.3 mm, 12 IR LED, Silver, PAL
HB72WX	1/3" CCD Super High Resolution IR Bullet Camera, 530 TVL, 4.3 mm, 12 IR LED, White, PAL

Honeywell Security

Honeywell Video Systems
2700 Blankenbaker Pkwy, Suite 150
Louisville, KY 40299
800.796.CCTV (2288)
www.honeywell.com

L/HB72D/D
June 2008
© 2008 Honeywell International Inc.