

HCD Series S

equip® SERIES S 3 MP / 5 MP TRUE DAY/NIGHT H.264 INDOOR BOX IP CAMERA

Honeywell's HCD Series S True Day/Night indoor box IP cameras offer high definition resolution at full frame rate, progressive scan technology, and edge enhancement for outstanding picture clarity. ONVIF (Profile S) compliance ensures hassle-free, flexible system integration.

Choose the Resolution That's Right for Your Application

- 3 megapixel (HCD3S2) and 5 megapixel (HCD5S2) models.
- Quad stream compression (H.264-1+H.264-2+H.264-3+H.264-4/MJPEG).
- Configure a resolution and frame rate for each selected H.264 stream.

Maximize Bandwidth Without Losing Image Quality

- Highly efficient H.264 video compression.
- 3DNR (Digital Noise Reduction) and proprietary SPQ (Smart Picture Quality) provide significant storage savings without sacrificing image quality in low light.
- CMOS progressive scan imager ensures accurate color rendition through a wide variety of lighting conditions.

Onboard Video Storage

- Up to 32 GB microSDHC (Class 10) support. Card not included.

Privacy Masking

- Conceal up to 5 areas of a scene from viewing and recording.

Time is Money — Installation and Upgrading Made Easy

- Built-in PoE (Power over Ethernet) eliminates separate power supply and associated wiring. 12 V DC or 24 V AC inputs where PoE power is unavailable.
- Remote configuration and firmware updating through Honeywell Viewer web client or from an NVR/DVR. Password-protected access to the camera's video and network setup.
- Export/import of configuration facilitates quick rollout of multiple cameras.

Market Opportunities

The HCD Series S cameras are perfect for installations that require excellent picture quality at minimal bandwidth. With at least three times the resolution of standard analog cameras, yet with similar bandwidth requirements, the HCD network cameras can be retrofitted on many existing DVR/NVR installations without requiring additional storage.

Features

- Up to 30 fps (25 fps PAL) progressive scan
- True day/night with removable IR cut filter
- Camera tamper detection and video motion detection
- ONVIF support (Profile S)
- Supports both dynamic and static IP addresses and APIPA auto-IP addressing
- Multiple browser support
- Up to x8 digital zoom
- Date and time stamp embedded in video stream
- Multiple user access levels with password protection
- Input (x1) and output (x1) alarm contacts
- RS485 interface for connection to pan tilt positioning system
- Bidirectional audio communication



HD

(Lens sold separately)



HCD Series S

www.honeywellvideo.com

FEATURES

Immediately Detect and Respond to Events

The camera can be configured to automatically detect and respond to events such as motion in the scene, alarm inputs, a network failure and/or tampering. Automated responses include:

- Sending a notification through email, FTP, and/or HTTP.
- Uploading still images at the time of event through email and/or FTP.
- Recording a video clip of the event to a configured microSDHC memory card or Network Attached Storage device.
- Enabling a visual or auditory notification (for example, a flashing light, bell or siren).

The screenshot displays the Honeywell equIP Series S web interface. At the top, the navigation menu includes Home, System, Streaming, Camera (highlighted), Pan / Tilt, and Logout. The user is logged in as Admin. The main content area is divided into several sections:

- Exposure:** Includes Auto Mode (Max Gain: 3), Auto Iris, Min Shutter Speed (1/4), Auto Shutter (Min Shutter Speed: 1/4), Shutter Priority (Min Shutter Speed: 1/30), Manual Mode (Shutter Speed: 1/60), and Gain (Off).
- White Balance:** Includes Auto, ATW, and Manual (Rgain: 57, Bgain: 54).
- Picture Adjustment:** Includes Backlight (Off).
- Video Feed:** Shows a live camera view of a reception area with a timestamp of 2013/12/09 16:22 and a Languages dropdown menu.
- Video Format:** Shows H.264-1 selected over H.264-2, with icons for various video functions.
- Zoom:** Wide, Tele.
- Focus:** Near, Far.
- Iris:** Close, Open.
- Bitrate Information:**
 - MJPEG bitrate: middle compression, middle quality
 - H.264-1 bitrate: 4096 kbps, middle compression
 - H.264-2 bitrate: 1024 kbps, high compression, low quality
 - H.264-3 bitrate: 1024 kbps, high compression, low quality
 - H.264-4 bitrate: 1024 kbps, high compression, low quality

HCD Series S

www.honeywellvideo.com

SPECIFICATIONS

Operational		Environmental			
Video Standard	NTSC/PAL	Temperature	Operating: 14°F to 122°F (-10°C to 50°C) Storage: -4°F to 158°F (-20°C to 70°C)		
Scanning System	Progressive scan	Relative Humidity	10% to 90%, non-condensing		
Image Sensor	HCD3S2(X): 1/3" Progressive CMOS HCD5S2(X): 1/2.5" Progressive CMOS	IP Specifications			
Number of Pixels (HxV)	HCD3S2(X): 2048x1536 (3 MP) HCD5S2(X): 2592x1944 (5 MP)	Video Compression	H.264 Baseline/Main/High Profile, Motion JPEG		
Minimum Illumination	HCD3S2(X): 0.3 lux color/0.01 lux BW @ 50 IRE, F1.2 HCD5S2(X): 0.5 lux color/0.02 lux BW @ 50 IRE, F1.2	Primary Stream Resolution	H.264 Bitrate (Typical) ¹	Frame Rate	Storage/Day (GB)
Video Output (AUX)	1.0 Vp-p @ 75 ohms	2592x1944 ²	4.0 Mbps	12	42.2
S/N Ratio	50 dB or more (AGC off)	2048x1536	4.0 Mbps	15	42.2
Auto Gain Control	Off/On, selectable (10-40 dB)	1920x1080	4.0 Mbps	30/25	42.2
Wide Dynamic Range	HCD3S2(X): 69 dB HCD5S2(X): 70 dB	1280x1024	4.0 Mbps	30/25	42.2
Automatic Electronic Shutter	1-1/10,000 s (NTSC and PAL)	1280x720	2.0 Mbps	30/25	21.1
HLD3V8MPD Lens Horizontal Angle of View	HCD3S2 @ 3 MP: 93° wide; 34° tele HCD3S2 @ 1080p: 84° wide; 32° tele	1024x768	2.0 Mbps	30/25	21.1
HLM45V13MPD Lens Horizontal Angle of View	HCD5S2 @ 5 MP: 68° wide; 26° tele HCD5S2 @ 3 MP: 54° wide; 20° tele HCD5S2 @ 1080p: 52° wide; 19° tele HCD3S2 @ 3 MP: 54° wide; 20° tele HCD3S2 @ 1080p: 52° wide; 19° tele	800x600	2.0 Mbps	30/25	21.1
White Balance	Manual/AWB/ATW	720x480	1.0 Mbps	30/25	10.5
Audio/Two Way	Line in/out	640x480	1.0 Mbps	30/25	10.5
Electrical		352x240	0.5 Mbps	30/25	5.3
Input Voltage	12 V DC, 24 V AC, PoE IEEE 802.3af, Type 1, Class 0	Frame Rate (NTSC/PAL)	1080p and lower: Up to 30/25 fps 3 MP: Up to 15 fps 5 MP: Up to 12 fps		
Power Consumption	4.0 W (max) 12 V DC/24 V AC PD Type 1, Class 0, 12.95 W (max)	Video Streaming	Quad streaming: H.264 (x3) and H.264/MJPEG Controllable frame rate and bandwidth Constant or variable bitrate		
Mechanical		Security	Multiple user access levels with password protection		
Dimensions, without lens (LxWxH)	4.9" x 3.2" x 2.0" (125 mm x 82 mm x 52 mm)	Video Access from Web Browser	Full control of all camera settings available to administrator		
Weight	0.73 lb (0.33 kg)	System Requirements	CPU: Pentium M 2.16 GHz or Intel Core 2 Duo 2.0 GHz RAM: 2 GB or more Network Card: 10Base-T (10 Mbps) minimum or 100Base-TX (100 Mbps) recommended OS: Windows XP, Windows Vista, or Windows 7 Browser: Internet Explorer 6.0 or later (32-bit), Google Chrome, Mozilla Firefox, or Apple Safari		
Construction	Housing: Die cast aluminum Finish: Cool gray powder coat	Installation and Management Maintenance	Honeywell Device Search software identifies the IP address, discovers cameras, supports firmware upgrades		
Camera Mount	¼-20 UNC top and underside mounting rings	Supported Protocols ³	IPv4/v6, TCP/IP, UDP, RTP, RTSP, HTTP, HTTPS, ICMP, FTP, SMTP, DHCP, PPPoE, UPnP, IGMP, SNMP, QoS, SSL, DDNS, NTP		
Recording and Storage	Up to 32 GB microSDHC card (class 10) and Network Attached Storage (NAS) support (card and NAS not included)	Standards	ONVIF (Profile S)		
Connectors	Video output (AUX): BNC connector Lens mount: C/CS mount Auto iris lens: 4-pin connector. Auto iris cable must be at least 8.0" (200 mm) long. Power input: 3-pin terminal block Network: RJ45 connector Alarm I/O: 4-pin terminal block Pan tilt positioning: RS485 (D+, D-) Audio In: 3.5 mm stereo phone jack Audio Out: 3.5 mm stereo phone jack	Regulatory			
		Emissions	FCC part 15B, CE (EN 55022)		
		Immunity	CE (EN 50130-4)		
		Safety	CE (EN 60950-1) North America UL listed to UL/CSA 60950-1		

¹ Actual bitrate is scene and motion dependent with H.264 stream.


² HCD5S2(X) cameras only.

³ Some development may be required in specific user cases to support some of these protocols in the field as they mature over time.

HCD Series S

www.honeywellvideo.com

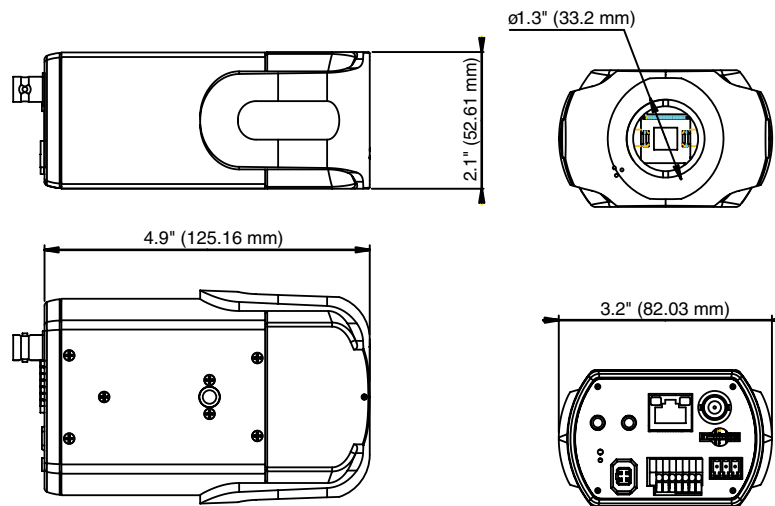
ORDERING

System Integration	
Open IP Integration	
<p>ONVIF support and open API for software integration. Refer to www.onvif.org for the ONVIF specification and the Honeywell Open Technology Alliance website (http://www.security.honeywell.com/hota) to learn more about our open and integrated solutions.</p>	

Accessories	
Recommended Lens Options *	
HLM45V13MPD	4.5-13.2 mm high definition megapixel lens
HLD3V8MPD	3.0-8.0 mm high definition megapixel auto iris lens (HCD3S2 cameras only)
Housing and Mounts	
HBC5WT	Wall/ceiling mount bracket (Off White)
HBC5BK	Wall/ceiling mount bracket (Black)
HHCWM	Environmental housing **
HHCWM2	Environmental housing with heater/blower **

* Only a high definition megapixel lens should be used with the HCD network cameras.

** When the HCD Series S network camera is installed in the HHCWM or the HHCWM2 environmental housing, the finished assembly performs well in environments ranging from 5°F to 140°F (-15°C to 60°C) for HHCWM, or -40°F to 140°F (-40°C to 60°C) for HHCWM2.



Ordering				
equiP® Series 3 MP/5 MP True Day/Night Indoor Box IP Cameras				
NTSC	Model Number	3 Megapixel	5 Megapixel	True Day/Night
	HCD3S2	✓		✓
	HCD5S2		✓	✓
PAL	HCD3S2X	✓		✓
	HCD5S2X		✓	✓

NOTE: Honeywell reserves the right, without notification, to make changes in product design or specifications.

For more information:

www.honeywell.com/security

Automation and Control Solutions

Honeywell Security Products Americas
 2700 Blankenbaker Pkwy, Suite 150
 Louisville, KY 40299
 1.800.323.4576
www.honeywell.com

L/HCDSD/D
 July 2014
 © 2014 Honeywell International Inc.

