

PrimaView® HD16

www.honeywellvideo.com

POLYCARBONATE DOME CAMERA

The HD16 provides the same great aesthetics and durability of the Honeywell PrimaView Series combined with a 5 to 50 mm Vari-focal Auto Iris lens. With a low profile designed for in-ceiling or pendant applications, the HD16 provides installation flexibility. The enclosure converts instantly between a flush or surface mount and is available with an optional pendant or wall arm mount.

Vandal-resistant and lightweight, the polycarbonate dome is tough enough to withstand the impact from an 8 lb sledgehammer. And as an extra security feature, an adjustable dome insert conceals the camera components without affecting light sensitivity or picture quality. Installation is a snap with the 360 degree camera position.

Market Opportunities

The PrimaView HD16 series is the ultimate solution for virtually any indoor or outdoor surveillance. These cameras are perfect for locations that require a camera able to withstand vandal-prone environments and provide long range views, such as, schools, malls, airports, and freeways. They're tough, adaptable, and affordable.

Features

- Polycarbonate housing
- Choose from a wide range of cameras, including Color, True Day/Night, Wide Dynamic and Wide Dynamic True Day/Night
- Spot monitor output
- 12 VDC or 24 VAC with line lock
- Choose from the most popular transmission media (Coaxial or UTP) integrated inside the camera
- 5 - 50 mm Vari-focal Auto Iris lens
- Weather sealed for indoor and outdoor locations—IP66 rated
- Instantly converts to a flush or surface mount



SPECIFICATIONS

Operational	Image Sensor	Number of Pixels (H x V)	Minimum Illumination	Horizontal Resolution	Power Consumption
Color	1/3" CCD	510 H x 492 V (standard resolution) 250K total pixels	0.6 lux @F1.7	350 TVL	3.5W
		768 H x 494 V (high resolution) 380K total pixels	0.7 lux @F1.7	480 TVL	3.5W
True Day/Night	1/3" CCD True Day/Night	510 H x 492 V (standard resolution) 250K total pixels	0.2 lux @F1.7	350 TVL	3.5W
		768 H x 494 V (high resolution) 380K total pixels	0.3 lux @F1.7	480 TVL	3.5W
Wide Dynamic	1/3" CCD Wide Dynamic	768 H x 494 V 380K total pixels	1.0 lux @F1.7	480 TVL	4.5W
Wide Dynamic True Day/Night	1/3" CCD Wide Dynamic TDN	768 H x 494 V Dynamic TDN 380K total pixels	0.4 lux @F1.7	480 TVL	4.5W

True Day/Night The incorporation of a moving mechanical IR filter within the camera ensures true 24 hour surveillance, providing high quality color images during the day and similar quality black and white images at night when used with or without IR lighting.

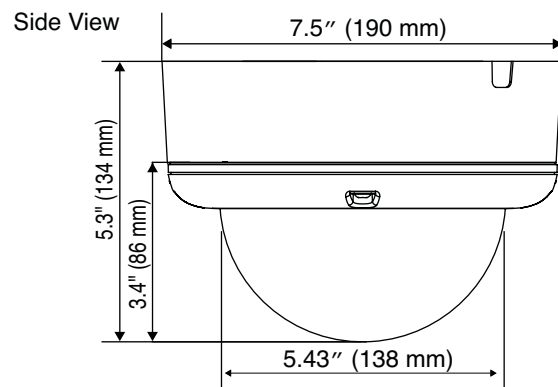
Wide Dynamic A processing technology that allows a video camera to automatically adjust for environments with high contrast and changing light conditions. Each frame is processed optimally. For example, in shadowed areas the exposure is increased and in bright areas the exposure is decreased so that all the details in the scene are light-corrected in the image.

Wide Dynamic True Day/Night Combine the processing technology of the WDR cameras with the moving mechanical IR filter to ensure a precise picture in any lighting condition.

SPECIFICATIONS

Operational	
Video Standard	NTSC
Scanning System	525/60 Lines
Image Sensor	1/3" Sony Interline CCD Sensor
Video Output	1.0 Vp-p Coax @ 75 Ohms, 1.0 Vp-p UTP @ 100 Ohms
Sync System	12 VDC: Internal 24 VAC: External (Line Lock)
S/N Ratio	Better than 51 dB
Auto Gain Control	Off/on switch (4 - 26 dB max)
ALC	Auto Iris: DC drive
Automatic Electronic Shutter	1/60 - 1/100,000
White Balance	AWB/ATW/Indoor (3200°K), Outdoor (6500°K), Push Lock
Dynamic Range <small>(Wide Dynamic models only)</small>	Better than 52 dB
BLC	Center window weighted On/Off, switchable
Lens Type	5-50 mm (F1.7) VFAI CS Mount
Angle of View	Tele: 6.9° (D), 5.5° (H) 4.1° (V) Wide: 63° (D), 48° (H), 35° (V)
Electrical	
Input Voltage	24 VAC/12 VDC
Input Range	17 - 28 VAC 11 - 16 VDC
Surge Suppression	Internal transformer
Power Consumption	4.5 W (max)
Mechanical	
Dimensions (D x H)	7.5" x 5.3" (191 mm x 134.5 mm)
Weight	2.0 lb (0.9 kg) max
Construction	Housing: Polycarbonate Dome: Hard coated polycarbonate, clear dome with insert Finish: Matte texture, off-white
Connectors	Video Output: BNC Connector (Coax), Tinned Leads (UTP) Power Input: Tinned leads, (Coax), 2.1 mm Barrel (UTP)

Environmental	
Temperature	Operating: -13°F to 122°F (-25°C to 50°C) Storage: -31°F to 140°F (-35°C to 60°C)
Relative Humidity	0% to 95%, non-condensing
Rated	IP66
Regulatory	
Emissions	FCC, CE (EN55013)
Immunity	CE (EN50130-4)
Safety	EU: 73/23/EEC LVD, UL 2044



PrimaView® HD16

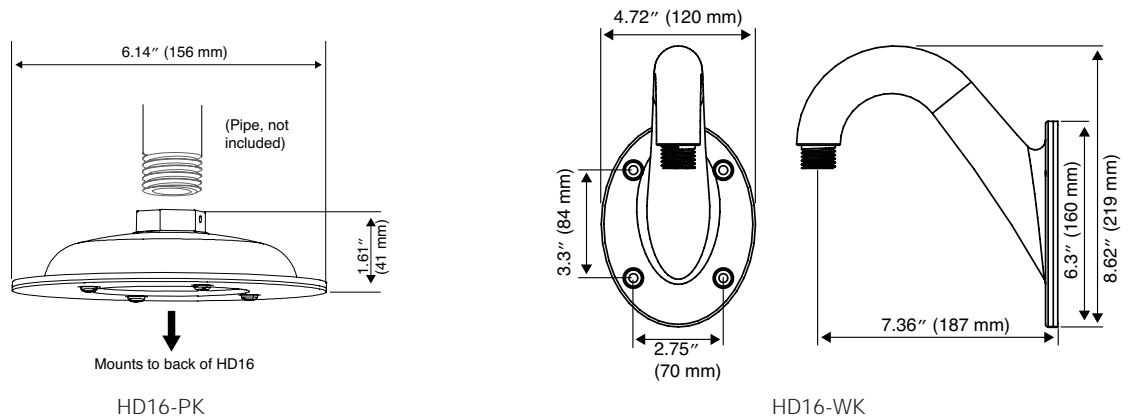
www.honeywellvideo.com

SPECIFICATIONS

Accessories:	
Mounts	
HD16-PK	Pendant Mount
HD16-WK	Wall Mount
Optional Dome Kits	
HDRK16T	Tinted Dome (reduces light sensitivity by 54%)
HDRK16C	Clear Dome (supplied with unit)
IR Illuminators	
LumaView® Series	200 W and 75 W bulb IR illuminator
Puck Series	LED IR illuminator

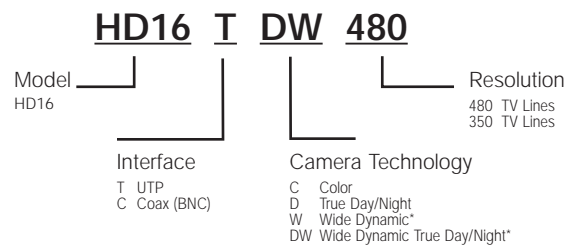
Note: IR illuminator technology only works with True Day/Night cameras

Transformers			
HPT2420	24 VAC, 20 VA Class 2 plug-in with thermal cut-out		
HPT12DC500	12 VDC, 500 mA plug-in regulated 2.1 mm coaxial plug UL Listed/CSA Certified		
Power Supplies			
UL Listed	Fused	Smart Fused	Description
HPTV2404UL	HPTV2404	HPTV2404CB	4 A, 4 Output
HPTV2408UL	HPTV2408	HPTV2408CB	4 A, 8 Output
HPTV2416UL	HPTV2416	HPTV2416CB	8 A, 16 Output



Ordering

HOW TO ORDER



* Wide Dynamic and Wide Dynamic True Day/Night available in 480 TV Line configuration only

Honeywell Security
 Honeywell Video Systems
 2700 Blankenbaker Pkwy, Suite 150
 Louisville, KY 40299
 1.800.796.CCTV
 www.honeywell.com

L/HD16/D
 March 2007
 © 2007 Honeywell International Inc.

Honeywell