

HD273

www.honeywellvideo.com

HIGH RESOLUTION VFAI LENS TRUE DAY/NIGHT IR INDOOR/OUTDOOR MINIDOME CAMERA

The Performance Series rounds out Honeywell's camera portfolio with a variety of indoor, outdoor and low-light cameras that lets end users pick the perfect camera for virtually any installation. Ideal for a diverse range of applications, the Performance Series includes a wide range of high performing IR bullet cameras and minidomes that are easy to install and even easier to use.

The Performance Series Plus line offers all of the above features plus the additional flexibility of dual voltage. Part of the Performance Series Plus line, the HD273 is a true day/night camera with 20 integrated LEDs. When the ambient light drops below a defined threshold, the 20 IR LEDs activate, a mechanical IR cut filter within the camera switches, and the camera changes automatically from color to black-and-white mode, resulting in perfect color pictures by day and clear black-and-white images at night.

The HD273 utilizes smart infrared technology. Auto LED brightness adjustment provides even distribution of the IR, eliminating excessive illumination and washed out video. The HD273 incorporates a 1/3" CCD that offers 600 TV lines of crisp, clear horizontal resolution. The camera comes equipped with a built-in 3.8 – 9.5 mm DC varifocal auto iris lens for increased optical versatility and does not shift focus when the camera switches from day to night mode. Digital Noise Reduction (DNR) technology produces extremely sharp and clear images regardless of lighting levels. DNR removes noise artifacts, increasing the performance of motion detection and typically providing longer recording durations on digital and network video recorders. The 3D axis gimbal allows versatile positioning and instant centering of the video image. In addition, the lens is separated from the LEDs by an IR boot which eliminates internal IR glare.

The built-in breather vent effectively stops all humidity buildup to eliminate weather-related issues, loss of critical video, or possibly having to replace the camera.

The HD273 installs quickly and easily. It comes standard with a two-conductor pigtail that connects to the barrel connector so there is no need to cut wires during installation. It also features a video out port for easy focus adjustment. The HD273 is designed for use in challenging environments. It is IP66 rated for outdoor installations, but can also be installed indoors, mounted directly to a ceiling or wall.

Market Opportunities

The HD273 is a cost-effective surveillance solution for applications that experience changing light conditions throughout the day and require extra illumination at night. The HD273 offers a simple yet solid design that provides optimum performance for both indoor and outdoor applications including schools, colleges, universities, hospitals, commercial sites, industrial parks, airports, gated entrances, foyers, loading docks and driveways.

Features

- 1/3" interline transfer CCD
- High resolution color: 600 TV lines
- True day/night with 20 IR LEDs (850 nm)
- Smart IR for even distribution of the IR to prevent excessive illumination
- Digital noise reduction technology for noise free images
- 3.8 – 9.5 mm DC VFAI lens
- On-screen display menu for easy setup
- Privacy zones, mirror function
- User-friendly design for easy access and adjustment of camera settings
- Vandal-and weather-resistant housing: IP66 rating
- Total effectiveness in zero lux environments
- IR LED visible range of up to 65 ft. (20 m), depending on scene reflectance
- 3D axis gimbal
- Video out port for setup
- Two-conductor pigtail for connection to barrel connector
- 12 V DC / 24 V AC input



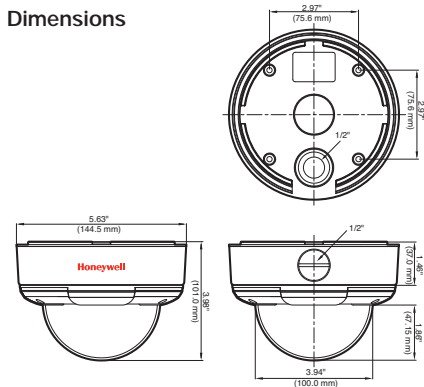
SPECIFICATIONS

Operational	
Video Standard	NTSC/PAL
Scanning System	2:1 interlaced
Image Sensor	1/3" Interline Transfer CCD
Number of Pixels (H x V)	768 x 494 (NTSC) 752 x 582 (PAL)
Minimum Illumination	0 lux (IR LEDs on)
Horizontal Resolution	600 TVL
Video Output	1.0 Vp-p, composite @ 75 ohms
Sync System	Internal
S/N Ratio	50 dB (AGC Off)
Auto Gain Control	On (Auto)
Automatic Electronic Shutter	1/60 – 1/120,000 sec (NTSC) 1/50 – 1/120,000 sec (PAL)
White Balance	ATW, Manual, Push
IR LEDs	850 nm, 20 LEDs
IR Illumination Distance	Up to 65 ft. (20 m), depending on scene reflectance
SBLC	Low, Middle, High, Off
Day/Night	ICR (AGC Type)
Privacy Zone	On, Off (4 programmable zones)
Motion Detection	On, Off (4 programmable zones)
Mirror Function	Horizontal
Lens Type	3.8 – 9.5 mm DC VFAI
Angle of View	D: 90.1° – 37.1° H: 70.7° – 29.2° V: 52.2° – 22.3°
Electrical	
Input Voltage	12 V DC / 24 V AC
Input Range	± 10%
Power Consumption	6.0 W, 500 mA (max, IR on)
Mechanical	
Dimensions (W x H)	5.63" x 3.98" (144.5 mm x 101.0 mm)
Weight	1.86 lb. (0.84 kg) max
Construction	Housing: Die cast aluminum Dome: Polycarbonate Finish: Light gray powder coating
Connectors	Main Video: BNC connector Power Input: 2.1 mm plug

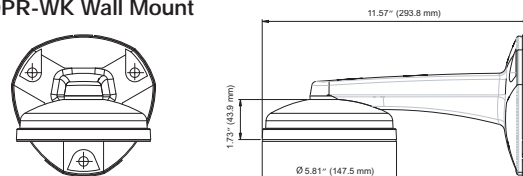
NOTE: Honeywell reserves the right, without notification, to make changes in product design or specifications.

Environmental	
Temperature	Operating: 14°F to 122°F (-10°C to 50°C) Storage: -4°F to 140°F (-20°C to 60°C)
Relative Humidity	0% to 90% non-condensing
Rating	IP66
Recommended Accessories	
Housing Mounts	
HDPR-WK	Wall mount bracket
HDPR-PK	Pendant mount bracket
Power Supplies	
HPT12DC500	12 V DC / 500 mA Plug-in Regulated 2.1 mm Coaxial Plug UL Listed/CSA Certified
HPT2440	24 V AC, 40 VA Class 2 Plug-in with thermal cut-out
Regulatory	
Emissions	FCC Part 15B, CE (EN55022)
Immunity	CE (EN50130-4)

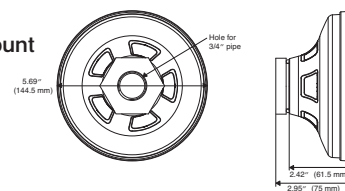
Camera Dimensions



HDPR-WK Wall Mount



HDPR-PK Pendant Mount



Ordering	
HD273	TDN Indoor/Outdoor IR Minidome Camera, 1/3" CCD, 600 TVL, 3.8 – 9.5 mm VFAI DC Lens, 20 LEDs, 12 V DC/24 V AC, NTSC
HD273X	TDN Indoor/Outdoor IR Minidome Camera, 1/3" CCD, 600 TVL, 3.8 – 9.5 mm VFAI DC Lens, 20 LEDs, 12 V DC/24 V AC, PAL

Automation and Control Solutions

Honeywell Security Products Americas
2700 Blankenbaker Pkwy, Suite 150
Louisville, KY 40299
1.800.323.4576
www.honeywell.com

L/HD273D/D
March 2013
© 2013 Honeywell International Inc.

