

HD28 Series

INTEGRATED VANDAL DOME CAMERA

The Honeywell MagnaView®/PrimaView™ and the HD14/HD28 cameras offer the flexibility of a modular system, and the ease of an integrated, fully configured system. All of these systems provide solutions for indoor and outdoor use and all are vandal resistant. The modular systems allow a choice of 9 different housing options, 10 different camera options and 9 different lens options. The MagnaView system offers metal housings while the PrimaView offers polycarbonate. The integrated systems – the HD14 Series and HD28 Series– offer the most popular versions of the MagnaView and PrimaView in pre-configured systems.

The Honeywell HD28 Series is a high-quality integrated CCTV camera. The HD28 consists of a fully integrated enclosure with camera and lens for fast and easy installation indoor or outdoor.

The ultra rugged high-impact dome housing is vandal resistant and weather tight. The integrated housing protects the camera from dust, dirt and water as well as physical harm from strong external impacts (for example, hockey sticks or sledge hammers). The visually appealing low profile design blends with its surroundings, making the HD28 the obvious choice for architecturally sensitive installations. The impact-resistant, no-scratch, clear polycarbonate dome has an adjustable dome insert to conceal camera components without compromising high resolution, True Day/Night or wide dynamic functionality, light sensitivity or picture quality. A wide selection of color cameras and two built-in lens options ensures consistent delivery of crisp, clear images in every lighting environment. Shipped completely assembled, the HD28 offers high resolution, style and simple-to-install design, making this the premium vandal dome camera of choice.

Market Opportunities

Today's security market is rapidly changing from part-time observation (day or night) to round-the-clock surveillance. With Honeywell's easy-to-order, easy-to-install, HD28 Series integrated vandal dome cameras, it is easy to upgrade CCTV security systems quickly and affordably. The HD28 Series provides custom designed surveillance cameras that are right for any application - indoors or out.

Features

- Wide range of color cameras, including True Day/Night (mechanical IR cut filter) and Wide Dynamic
- Flush mount enclosure, indoors or outdoors
- Ultra rugged high-impact dome housing is vandal resistant
- Weather tight - IP66 rated - for applications such as hospitals, schools, commercial and public buildings
- 3-D gimbal allows for maximum lens rotation and placement
- Built-in Vari-focal Auto Iris lens (2.6 - 6 mm or 4 - 9 mm @ F1.5)
- One power connector self-configures to either 12 VDC or 24 VAC



HD28 Series

www.honeywellvideo.com

SPECIFICATIONS

Camera	Image Sensor	Number of Pixels (H x V)	Minimum Illumination	Horizontal Resolution	Power Consumption
Color (C)	1/3" CCD	510 H x 492 V (Standard Resolution)	0.8 lux @ F2.0	350 TVL	3.5 W
		768 H x 494 V (High Resolution)	1.0 lux @ F2.0	480 TVL	3.5 W
True Day/Night (TDN)	1/3" CCD True Day/Night	510 H x 492 V (Standard Resolution)	0.35 lux @ F2.0	350 TVL	3.5 W
		768 H x 494 V (High Resolution)	0.4 lux @ F2.0	480 TVL	3.5 W
Wide Dynamic (WD)	1/3" CCD Wide Dynamic	768 H x 494 V (High Resolution)	0.8 lux @ F2.0	480 TVL	4.5 W
Wide Dynamic True Day/Night (WDTDN)	1/3" CCD Wide Dynamic TDN	768 H x 494 V (High Resolution)	0.4 lux @ F2.0	480 TVL	4.5 W

Color Cameras increase object recognition in your focal area.

True Day/Night (TDN) The incorporation of a moving mechanical IR filter within the camera ensures true 24 hour surveillance, providing high quality color images during the day and similar quality black and white images at night when used with IR lighting.

Wide Dynamic (WD) A processing technology that allows a CCTV camera to automatically adjust for different lighting conditions within the same frame. Each frame is processed optimally; that is, in shadowed areas the exposure is increased and in bright areas the exposure is decreased so that all the details in the scene are light-corrected in the image.

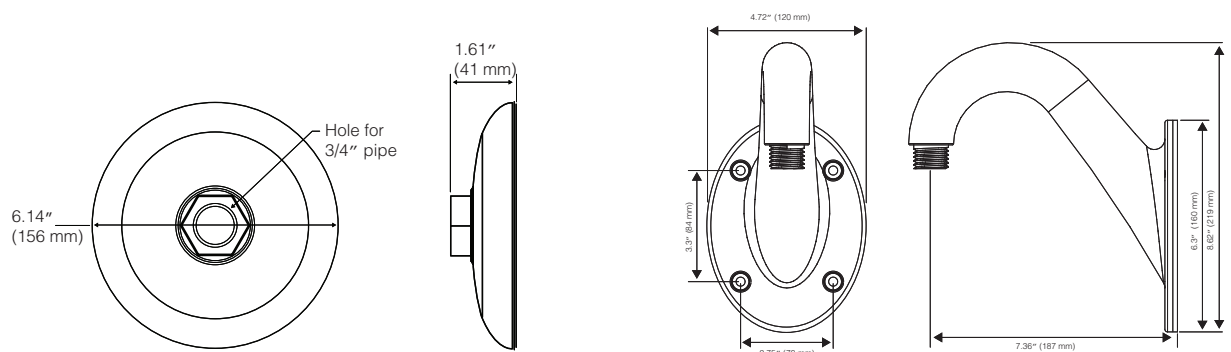
Wide Dynamic True Day/Night (WDTDN) Combines the processing technology of the WDR cameras with the moving mechanical IR filter to ensure a precise picture in any lighting condition.

HD28 Series

SPECIFICATIONS

Operational	
Video Standard	NTSC, PAL
Scanning System	Interlaced 2:1
Image Sensor	1/3" Sony Interline CCD Sensor
Number of Pixels (H x V)	See table on page 2
Minimum Illumination	Color: 0.8 lux @ F2.0 (Std Res) 1.0 lux @ F2.0 (High Res) True Day/Night: 0.35 lux @ F2.0 Wide Dynamic: 0.8 lux @ F2.0
Horizontal Resolution	See table on page 2
Video Output	1.0 Vp-p @ 75 Ohms, composite
Sync System	12 VDC: Internal 24 VAC: External
S/N Ratio	Better than 50 dB
Auto Gain Control	Off/on switch (4 – 26 dB max)
ALC	Auto iris: Video drive/DC drive
Automatic Electronic Shutter	1/60 - 1/100,000 NTSC 1/50 - 1/100,000 PAL
White Balance	AWB/ATW/Indoor (3200°K), Outdoor (6500°K)
Line Lock Phase Adjustment	Adjustable AC line lock $\pm 180^\circ$
BLC	Center window weighted User- selectable On/off switch
Accessories	
Mounts	
HEV28R-PK	Pendant Mount kit for HEV28R housing
HEV28R-WK	Wall Mount kit for the HEV28R

Environmental			
Input Voltage	24 VAC/15 VDC		
Input Tolerance	17 – 28 VAC 11 – 16 VDC		
Surge Suppression	1.5 kW transient		
Power Consumption	4.5 W max		
Mechanical			
Dimensions	See Line Drawing		
Weight	3.0 lb (1.37 kg)		
Construction	Housing: Die-cast aluminum alloy Finish: Gray Urethane Powder coat Dome: Hard coated polycarbonate, clear dome with insert		
Connectors	Video Output: BNC connector Power Input: Tinned lead		
Environmental			
Temperature	Operating: -13°F to +122°F (-25°C to +50°C) Storage: -31°F to +140°F (-35°C to +60°C)		
Relative Humidity	0 - 90% non condensing		
Regulatory			
Emissions	FCC, CE (EN55013)		
Immunity	CE (EN50130-4)		
Safety	UL2044, EU: 73/23/EEC LVD		
Transformers			
HPT2420	24 VAC, 20 VA Class 2 plug-in with thermal cut-out		
HPT12DC500	12 VDC, 500 mA plug-in regulated 2.1 mm coaxial plug UL Listed/CSA Certified		
Power Supplies			
UL Listed	Fused	Smart Fused	Description
HPTV2404UL	HPTV2404	HPTV2404CB	4 A, 4 Output
HPTV2408UL	HPTV2408	HPTV2408CB	4 A, 8 Output
HPTV2416UL	HPTV2416	HPTV2416CB	8 A, 16 Output



HD28 Series

www.honeywellvideo.com

ORDERING

Ordering	
HD28C4HR6	Color, High Resolution, 2.6 – 6 mm, VFAI Lens, NTSC
HD28C4HR6X	Color, High Resolution, 2.6 – 6 mm, VFAI Lens, PAL
HD28C4HR9	Color, High Resolution, 4 – 9 mm, VFAI Lens, NTSC
HD28C4HR9X	Color, High Resolution, 4 – 9 mm, VFAI Lens, PAL
HD28W4HR6	Color, Wide Dynamic, 2.6 – 6 mm, VFAI Lens, NTSC
HD28W4HR6X	Color, Wide Dynamic, 2.6 – 6 mm, VFAI Lens, PAL
HD28W4HR9	Color, Wide Dynamic, 4 – 9 mm, VFAI Lens, NTSC
HD28W4HR9X	Color, Wide Dynamic, 4 – 9 mm, VFAI Lens, PAL
HD28D4HR6	Color, True Day/Night, 2.6 – 6 mm, VFAI Lens, NTSC
HD28D4HR6X	Color, True Day/Night, 2.6 – 6 mm, VFAI Lens, PAL
HD28D4HR9	Color, True Day/Night, 4 – 9 mm, VFAI Lens, NTSC
HD28D4HR9X	Color, True Day/Night, 4 – 9 mm, VFAI Lens, PAL

NOTE: Honeywell reserves the right, without notification, to make changes in product design or specifications.

Honeywell Security

Honeywell Video Systems
2700 Blankenbaker Pkwy, Suite 150
Louisville, KY 40299
1.800.796.CCTV
www.honeywell.com

L/HD28D/D
March 2008
© 2008 Honeywell International Inc.

The Honeywell logo is displayed in a bold, red, sans-serif font.