

HD3, HD4, HDPR Housing Mounts

INDOOR/OUTDOOR FIXED MINI-DOME MOUNTS

The HD3, HD4, and HDPR housing mounts can be used to install Honeywell's 3" and 4" fixed mini-dome cameras to a variety of surfaces. They provide a wide range of mounting options – to walls, ceilings, and a variety of indoor and outdoor surfaces.

The simple, solid design of these mounts is an installer's first choice for ease of installation. Both the wall and pendant mounts provide easy cable routing with no exposed wiring, and the camera and lens can be installed, adjusted, and tested without repositioning the housing.

The HD4 and HDPR Series mounts feature die cast aluminum construction and cool gray powder coating. These mounts are designed for either outdoor or indoor applications. The HD3 Indoor Series mounts have polycarbonate construction with off white powder coating. All are designed to perfectly complement the low profile, fixed mini-dome cameras, making them the obvious choice for architecturally sensitive installations.

Market Opportunities

The HD3, HD4, and HDPR Series mounts provide performance and strength you can depend on. The attractive design, impact-resistant construction, and range of mounting options make these mounts the best solution for all your indoor and outdoor applications.

Features

Description	Camera Series		
	HD4	HDPR	HD3
• Low profile, contemporary design	X	X	X
• Economically priced	X	X	X
• Cable feed through for ease of installation and camera setup	X	X	X
• Die-cast aluminum construction	X	X	
• Polycarbonate construction			X
• Cool Gray powder finish	X	X	
• Off White powder finish			X
• Indoor			X
• Indoor/outdoor	X	X	



HD3-MK1



HD4DIP-WK



HD4DIP-PK



HD4CH-WK



HD4CH-PK



HDPR-WK



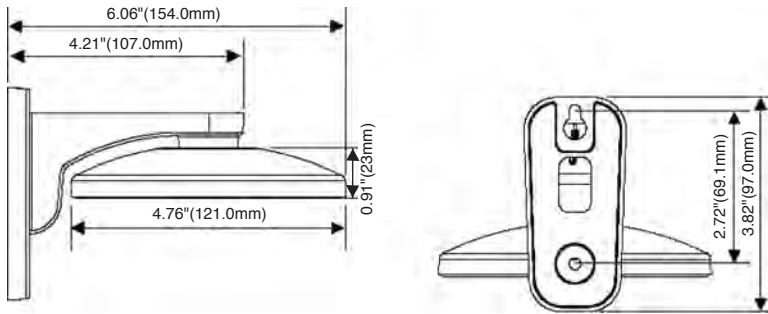
HDPR-PK

HD3, HD4, HDPR Housing Mounts

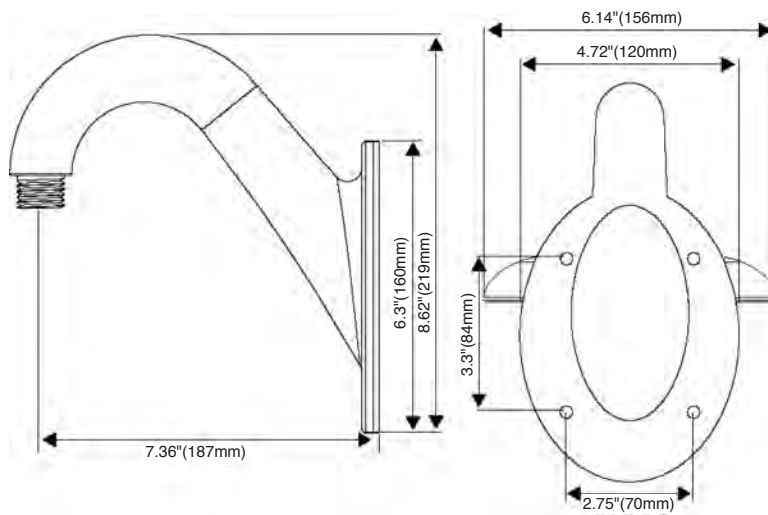
www.honeywellvideo.com

SPECIFICATIONS

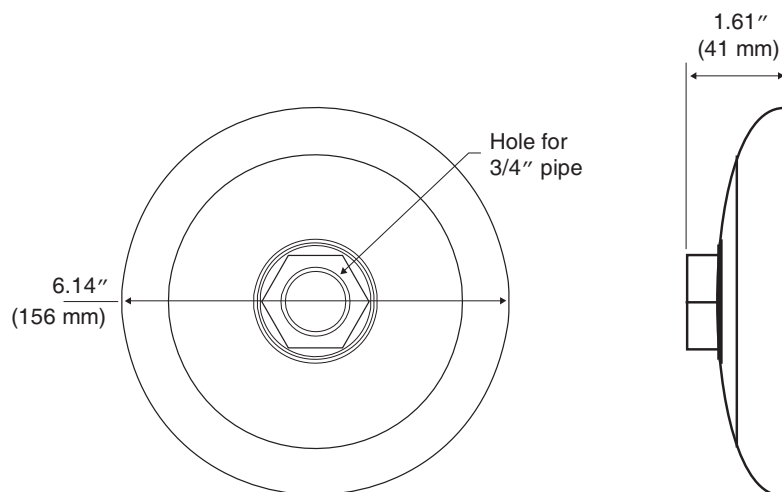
HD3-MK1 Side View



HD4DIP-WK Side View



HD4DIP-PK Side View

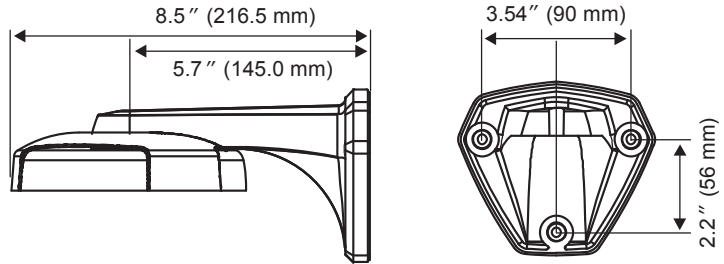


HD3, HD4, HDPR Housing Mounts

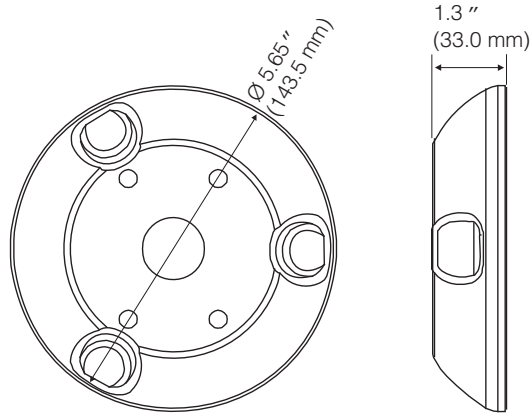
www.honeywellvideo.com

SPECIFICATIONS

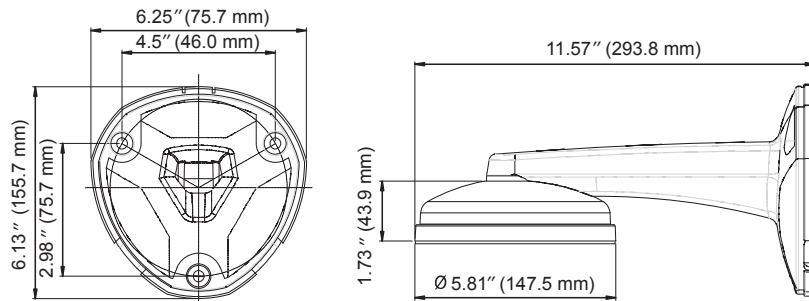
HD4CH-WK Side View



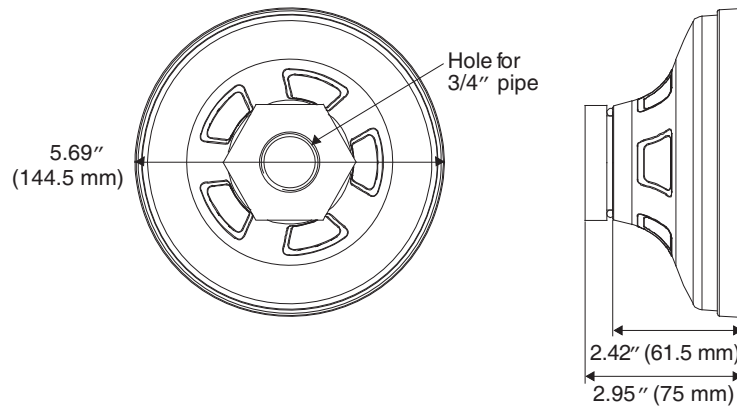
HD4CH-PK Side View



HDPR-WK Side View



HDPR-PK Side View



HD3, HD4, HDPR Housing Mounts

www.honeywellvideo.com

SPECIFICATIONS

Mechanical			
Model No.	Weight	Construction / Finish	Dimensions
HD3-MK1	0.18 lb (0.08 kg)	Polycarbonate / Off White powder coating	See diagrams
HD4CH-WK	1.34 lb (0.61 kg)	Die-cast aluminum / Cool Gray powder coating	See diagrams
HD4CH-PK	1.02 lb (0.46 kg)	Die-cast aluminum / Cool Gray powder coating	See diagrams
HD4DIP-WK	2.42 lb (1.09 kg)	Die-cast aluminum / Cool Gray powder coating	See diagrams
HD4DIP-PK	1.02 lb (0.46 kg)	Die-cast aluminum / Cool Gray powder coating	See diagrams
HDPR-WK	2.5 lb (1.5 kg)	Die-cast aluminum / Cool Gray powder coating	See diagrams
HDPR-PK	1.02 lb (0.46 kg)	Die-cast aluminum / Cool Gray powder coating	See diagrams

Camera Housing Mount	Mount to Camera Models:
HD3-MK1	HD3CHS(X) HD3MDIP(X) HD3D(X) HD3MDIH(X) HD44IP(X) HD45IP(X)
HD4CH-WK HD4CH-PK	HD4DIRS(X) HD4D3S(X) HD4D9S(X) HD4US(X) HD4DAFS(X) HD4D5S
HD4DIP-WK HD4DIP-PK	HD4DIP(X) HD4MDIP(X) HD4MDIH(X) HD54IP(X) HD55IP(X)
HDPR-WK HDPR-PK	HD51(X) HD70(X) HD73(X)

Ordering	
HD3-MK1	Pendant/Wall Mount Kit, 6.06" long, 7.5 lb. (3.5 kg) Max Load, Off White
HD4CH-WK	Wall Mount, 8.5" W x 3.54" W, (Pendant Cap), 15 lb. (7 kg) Max Load, Cool Gray
HD4CH-PK	Pendant Mount, 6.14" W x 1.61" H, 1.5 lb. (7 kg) Max Load, Cool Gray
HD4DIP-WK	Wall Mount, 4.72" W x 7.36" H, 15 lb. (7 kg) Max Load, Cool Gray
HD4DIP-PK	Pendant/Ceiling Mount, 6.14" Dia x 1.61" W, 15 lb. (7 kg) Max Load, Cool Gray
HDPR-WK	Wall Mount, 11.57" W x 2.88" W (Pendant Cap), 7.5 lb (3.5 kg) Max Load, Cool Gray
HDPR-PK	Pendant/Ceiling Mount, 5.69" Dia x 2.95" H, 15 lb (7 kg) Max Load, Cool Gray

NOTE: Honeywell reserves the right, without notification, to make changes in product design or specifications.

For more information:
www.honeywellvideo.com

Automation and Control Solutions
Honeywell Systems
2700 Blankenbaker Pkwy, Suite 150
Louisville, KY 40299
1.800.796.2288
www.honeywell.com

L/HD34PRD/D
August 2011
© 2011 Honeywell International Inc.