

HD3CH/HD3CHB

SUPER HIGH RESOLUTION COLOR INDOOR MINI-DOME CAMERAS

Honeywell's HD3CH Series indoor color dome camera encompasses the latest in color Digital Signal Processing (DSP) technology. The super high resolution HD3CH Series integrates a camera and lens into a single piece tamper proof, compact unit that can be surface or flush mounted for fast and easy installation. It is attractive and unobtrusive yet provides a crime-detering presence round-the-clock with its excellent low light imaging protection. The compact surface mount or flush one-piece mount design allows for fast, easy installation and a wall/pendant mount kit is available in off white or black for inconspicuous installation in virtually any application. The housing is designed to easily mount directly to a ceiling or wall, and a 4S adapter plate is supplied with the unit for mounting over an electric box. A service/monitor cable is also included for easy on-site adjustments.

The HD3CH incorporates a 1/3" CCD, offering 540 TV lines of crisp, clear horizontal resolution with a minimum illumination of 0.6 lux. The HD3CH Series comes equipped with a 2.8 – 10 mm (F1.3) Vari-focal Auto Iris lens to cover a wide range of viewing angles. Picture adjustment after installation is easy with the 3-D axis gimbal that is capable of 360° of pan, 180° of tilt and 360° of horizontal rotation. The HD3CH also features a tamper resistant lockable cover and a "cable management" housing design for installations requiring the video and power connectors to be contained within the housing base.

The HD3CH accepts either 12 VDC or 24 VAC (auto sensing) for proper operation and flexible installation. The Backlight Compensation (BLC) and Auto Tracking White Balance (ATW) ensure crisp color images in dark or backlit environments such as windows and doorways. The Automatic Gain Control (AGC) feature increases the signal strength from the camera when scene lighting is low, keeping the picture sharp and viewable.

Market Opportunities

The HD3CH Series can reproduce pictures clearly down to the smallest detail, making it easier to identify subjects. It is the ideal solution in commercial and government sites, casinos, retail stores or hospitals – anywhere surveillance must be discreet.

Features

- 1/3" Sony Interline CCD
- Super high resolution color: 540 TV lines
- Single model for surface mount and recessed ceiling applications, 4S adapter plate also supplied
- Tamper resistant dome offers secure installation
- Polycarbonate housing and dome
- Easy to use "cable management" housing design
- Clear dome with liner for discretion with no light loss
- 2.8 – 10 mm (F1.3) Aspherical Vari-focal Auto Iris lens
- Local video output for setup
- 3D - axis gimbal
- Line Lock with phase adjustment (24 VAC)
- Dual 12 VDC/24 VAC voltage
- Housing available in Off White or Black
- Pendant and wall mount kit available



HD3CH Series
shown with
mount ring for
surface mount

HD3CH Series
shown without
mount ring for
flush mount

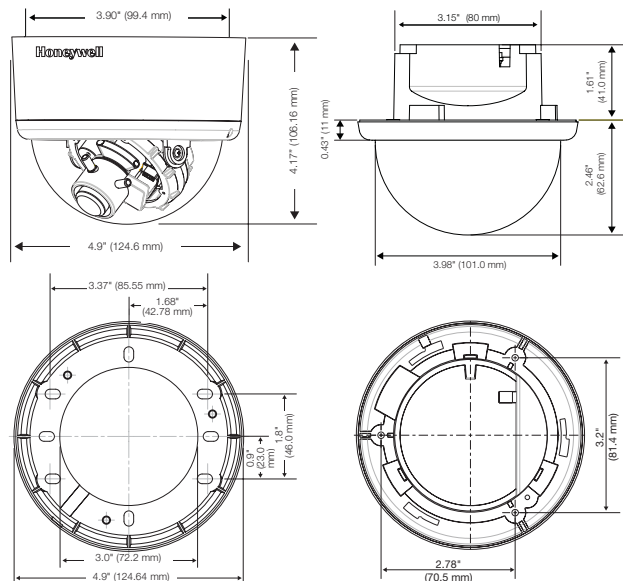
HD3CH/HD3CHB

www.honeywellvideo.com

SPECIFICATIONS

Operational	HD3CH, HD3CHB	HD3CHX, HD3CHBX
Video Standard	NTSC	PAL
Scanning System	525/60 lines	625/50 lines (PAL)
Image Sensor	1/3" Sony CCD color image sensor	
Number of Pixels (H x V)	768 x 494 (NTSC)	752 x 582 (PAL)
Minimum Illumination	0.6 lux @ F1.3 (AGC on, 50 IRE)	
Horizontal Resolution	540 TVL	
Video Output	1.0 Vp-p, composite @ 75 Ohms	
Sync System	12 VDC: Internal 24 VAC: Line lock	
S/N Ratio	50 dB (AGC Off)	
Auto Gain Control	On/off, selectable	
ALC	Auto Iris: DC drive	
Automatic Electronic Shutter	1/60 – 1/100,000 second (NTSC) 1/50 – 1/100,000 second (PAL)	
White Balance	ATW/AWC	
Line Lock Phase Adjust	Adjustable (available only with 24 VAC)	
BLC	On/off, switchable	
Flickerless	On/off, switchable	
Lens Type	2.8 to 10 mm, Vari-focal Auto Iris, F1.3	
Angle of View	Tele: 34.3° (D), 27.4° (H), 20.5° (V) Wide: 129° (D), 100.2° (H), 73.3° (V)	
Electrical		
Input Voltage	12 VDC/24 VAC	
Input Range	11-16 VDC, 17-28 VAC	
Surge Suppression	1.5 kW Transient	
Power Consumption	3.5 W (max)	
Mechanical		
Dimensions (W x H x D)	See Diagram	
Weight	0.66 lb (.3 kg) max	
Construction	Housing: Polycarbonate Dome: Polycarbonate Finish: Matte texture, Off White or Black	
Connectors	Video Output: BNC connector Power Input: Screw terminal block	

Environmental			
Temperature	Operating: 14°F to 122°F (-10°C to 50°C) Storage: -4°F to 140°F (-20°C to 60°C)		
Relative Humidity	0% to 90% non-condensing		
Regulatory			
Emissions	FCC, CE (EN55022)		
Immunity	CE (EN50130-4)		
Safety	UL60065, EU: 73/23/EEC LVD		
Accessories			
Mounts			
HD3-MK	Wall/Pendant Mount Kit, Off White		
HD3-MKB	Wall/Pendant Mount Kit, Black		
Power Supplies			
UL Listed	Fused	Smart Fused	Description
HPTV2404UL	HPTV2404	HPTV2404CB	4A, 4 Output
HPTV2408UL	HPTV2408	HPTV2408CB	4A, 8 Output
HPTV2416UL	HPTV2416	HPTV2416CB	8A, 16 Output



Ordering	
HD3CH	1/3" CCD High Resolution Color Dome Camera, Off White Housing, 540 TVL, 2.8 - 10 mm VFAI, NTSC
HD3CHX	1/3" CCD High Resolution Color Dome Camera, Off White Housing, 540 TVL, 2.8 - 10 mm VFAI, PAL
HD3CHB	1/3" CCD High Resolution Color Dome Camera, Black Housing, 540 TVL, 2.8 - 10 mm VFAI, NTSC
HD3CHBX	1/3" CCD High Resolution Color Dome Camera, Black Housing, 540 TVL, 2.8 - 10 mm VFAI, PAL

NOTE: Honeywell reserves the right, without notification, to make changes in product design or specifications.

Honeywell Security

Honeywell Video Systems
2700 Blankenbaker Pkwy, Suite 150
Louisville, KY 40299
1.800.796.CCTV
www.honeywell.com

L/HD3CHD/D
February 2008
© 2008 Honeywell International Inc.

Honeywell