

HD45S

www.honeywellvideo.com

SUPER HIGH RESOLUTION TRUE DAY/NIGHT COLOR RUGGED INDOOR/OUTDOOR MINI-DOME CAMERA

The HD45S rugged indoor/outdoor fixed mini-dome camera is the latest addition to Honeywell's outdoor rugged dome line. This compact, integrated camera is our solution for the most demanding environments. The HD45S delivers outstanding image quality under almost any light conditions, day or night. The 1/3" CCD sensor offers the latest in digital video surveillance technology with accurate color rendition through a wide variety of lighting conditions.

The HD45S uses the latest Digital Signal Processing (DSP) and Digital Noise Reduction (DNR) technology to produce extremely sharp and clear images no matter the lighting level. DNR removes noise artifacts, increasing the performance of motion detection and typically providing longer recording durations on DVRs and NVRs. Producing 540 TV lines of crisp, clear horizontal resolution with a minimum illumination of 0.2 lux, the HD45S reproduces sharper images down to the smallest detail with outstanding accuracy. A 2.8 to 10.5 mm Vari-focal Auto Iris lens covers a wide range of viewing angles. The 3-D axis gimbal is capable of 360° of pan, 160° of tilt and 360° of horizontal rotation for easy picture adjustment after installation.

This rugged integrated system is loaded with high performance features and is a snap to install. With solid die-cast aluminum and a scratch-resistant polycarbonate dome cover, the unit can withstand heavy external impacts. It is IP66 rated for safe outdoor installations. The HD45S comes completely assembled for quick, easy installation. The surface mount offers easy installation directly to a ceiling or wall. A service/monitor cable is included for easy on-site adjustments.

The HD45S accepts either 12 VDC or 24 VAC (auto sensing) for proper operation and flexible installation. The Automatic Backlight Compensation (BLC) and Auto Tracking White Balance (ATW) ensure crisp color images in dark or backlit environments such as windows and doorways. The Automatic Gain Control (AGC) feature increases the signal strength from the camera when scene lighting is low, keeping the picture sharp and viewable.

Market Opportunities

The HD45S is a surveillance solution that provides enhanced picture quality, true color reproduction, and excellent low light performance for a wide range of indoor and outdoor surveillance applications. Setup is quick and easy and can be customized with user-friendly on-screen displays. The compact, one-piece design installs quickly and easily in commercial or government facilities, schools, casinos, retail stores, hospitals, and any other quality-sensitive, high-risk environments such as prisons, airports, and train stations.

Features

- 1/3" SuperHAD2 Sony CCD
- Super high resolution color: 540 TV lines
- True Day/Night: removable infrared (IR) cut filter and optical low-pass filter (LPF)
- Vandal resistant aluminum alloy housing and polycarbonate dome
- Digital Noise Reduction technology for noise free images
- On Screen Display menu for easy setup
- Clear dome with liner for discreet surveillance with no light loss
- 2.8-10.5 mm (F1.2) Vari-focal Auto Iris lens
- Local video output for setup
- 3-D axis gimbal
- Line Lock with OSD phase adjustment (24 VAC)
- Dual 12 VDC/24 VAC voltage



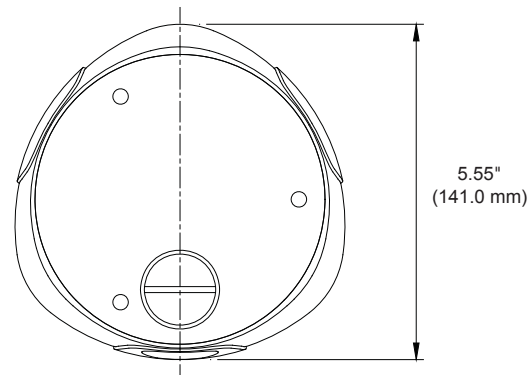
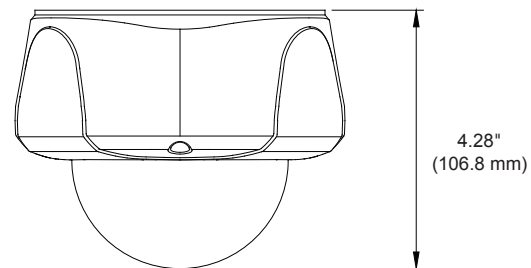
HD45S

www.honeywellvideo.com

SPECIFICATION

Operational	HD45S
Video Standard	NTSC
Scanning System	525 lines 2:1 interlace
Image Sensor	1/3" SuperHAD2 (Sony) CCD
Number of Pixels (H x V)	768 x 494
Minimum Illumination	0.2 lux @ F1.2 (AGC on, 50 IRE)
Horizontal Resolution	540 TVL
Video Output	1.0 Vp-p, composite @ 75 Ohms
Sync System	12 VDC: Internal, 24 VAC: Line lock
S/N Ratio	> 50 dB (AGC Off)
Auto Gain Control	Low/Mid/High/Off, selectable
Lens Iris Control	Direct Drive (DC) Auto Iris
Automatic Electronic Shutter	1/60-1/100,000 second
White Balance	ATW/AWB/AWC > Set Manual/Indoor/Outdoor
BLC	Low/Mid/High/Off, switchable
Gamma	0.45, adjustable
Sense-Up	Off/Auto
D-WDR	Off/On
Privacy Mask	8 mask areas, configurable
Motion Detection	4 motion detection areas, configurable
Mirror	Off/Mirror/V-Flip/Rotate, selectable
3DNR	Off/On, adjustable
Lens Type	2.8-10.5 mm, Vari-focal Auto Iris, F1.2
Electrical	
Input Voltage	12 VDC/24 VAC
Input Range	11-16 VDC, 17-28 VAC
Surge Suppression	1.5 kW Transient
Power Consumption	3.0 W (max)
Mechanical	
Dimensions	See Diagram
Weight	2.8 lb (1.26 kg) max
Construction	Housing: Die-cast aluminum Dome: Polycarbonate Finish: Matte texture, off white
Connectors	Video Output: BNC connector Power Input: (Screw terminal block)

Environmental	
Temperature	Operating: -13°F to 131°F (-25°C to 55°C) Storage: -13°F to 140°F (-25°C to 60°C)
Relative Humidity	0% to 90% non-condensing
Rating	IP66
Regulatory	
Emissions	FCC, CE (EN55022)
Immunity	CE (EN50130-4)
Safety	UL2044



Ordering	
HD45S	1/3" CCD High Resolution, True Day/Night Rugged Dome Camera, 540 TVL, 2.8-10.5 mm VFAI, NTSC

Honeywell Security Group

Honeywell
2700 Blankenbaker Pkwy, Suite 150
Louisville, KY 40299
1.800.796.CCTV (2288)
www.honeywell.com

L/HD45S/D
November 2010
© 2010 Honeywell International Inc.

Honeywell