

## HD4DIRS

### HIGH RESOLUTION VFAI LENS TRUE DAY/NIGHT IR RUGGED INDOOR/OUTDOOR MINIDOME CAMERA

Honeywell's line of infrared-illuminated cameras uses the latest True/Day Night surveillance imaging technology to deliver brilliant color images during the day and improved low-light sensitivity at night. IR technology automatically adjusts intensity to avoid hot spots in the image to deliver extremely clear, sharp images regardless of lighting conditions.

The HD4DIRS combines Digital Noise Reduction (DNR) technology with 18 integrated light-emitting diodes (LEDs) to improve overall image clarity and compression efficiencies on DVRs. By removing noise artifacts such as electronic static, DNR technology optimizes motion detection performance by the DVR. When used in conjunction with the HD4DIRS photo cell-driven IR LEDs, using a dual window IR cut and IR pass filter, DNR captures a crisp, clean image, enhancing the integrity of the recorded video.

Generating 600 TV lines of resolution, the HD4DIRS produces sharper images down to the smallest detail with outstanding accuracy. A 3.3-12 mm IR corrected Varifocal Auto Iris lens eliminates focus shift when the camera switches between color and IR modes. In addition, an optical lens shield located inside the dome delivers evenly distributed nighttime vision with no internal reflection or "halo" effects.

The HD4DIRS is designed for simple installation and use in the most challenging environments. The ultra-rugged die cast aluminum housing and scratch-resistant 3.5 mm-thick polycarbonate dome cover is IP66-rated for outdoor installations and can withstand heavy external impacts, making it ideal for installations where structural integrity and vandal resistance are important.

The HD4DIRS housing can instantly convert from flush to surface mount on a wall or ceiling or directly to a 4S electrical box. Setup is quick and easy and can be customized on-site using the provided second video service cable and user-friendly on-screen display. The housing also includes both composite and unshielded twisted pair (UTP) outputs. In addition, the housing incorporates a heater that allows the camera to work in temperatures as low as -40°F (-40°C) and a breather vent that prevents condensation from forming inside the housing. Optional wall and pendant mount kits are available.

#### Market Opportunities

The HD4DIRS is a true 24/7 surveillance solution designed for object recognition in locations where little to no light exists. The compact, one-piece design allows for fast, easy installation in nighttime surveillance. It is ideal in commercial, government, school, professional, hotel or gated communities and any other quality-sensitive, high-risk environments such as prisons, airports, and train stations.

#### Features

- 1/3" Sony Super HAD™ CCD II image sensor, 600 TVL resolution
- 18 photocell controlled near infrared LEDs
- Highlight Masking Exposure (HME) masks bright spots in a scene, providing better overall clarity
- Built-in breather vent to prevent condensation
- Single model instantly converts to flush or surface mount
- Coax and UTP built in (standard)
- On-Screen Display menu for easy camera setup
- Built-in heater for outdoor environments
- 3.3-12 mm (F1.5) IR corrected Varifocal Auto Iris lens
- 3-axis gimbal bracket allows for fine camera rotation and placement
- Local video output for setup
- Dual 12 V DC/24 V AC



HD4DIRS shown with mounting ring for surface mount



HD4DIRS shown without mounting ring for flush mount

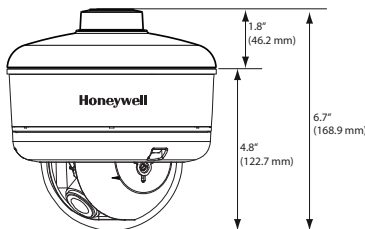
## SPECIFICATIONS

Operational	
Video Standard	NTSC
Scanning System	525/60 lines
Image Sensor	1/3" Sony Super HAD™ CCD II
Minimum Illumination	0.21 lux color; 0 lux BW, with IR on
Horizontal Resolution	600 TVL
Video Output	Composite: 1.0 Vp-p, 75 ohms UTP: 1.0 Vp-p, 100 ohms
Sync System	12 V DC: Internal 24 V AC: Internal or line lock
S/N Ratio	50 dB or more (AGC off)
Auto Gain Control	On/Off, selectable
Automatic Electronic Shutter	1/60-1/100,000 second
White Balance	ATW/AWC/Manual
Line Lock Phase Adjustment	+/- 180° adjustable line lock vertical phase
IR LEDs	850 nm, 18 LEDs
IR Illumination Distance	Vision performance to 50 ft (depending on scene reflectance)
Highlight Masking Exposure	On/Off (selectable limit 0-60)
Gamma	0.45
3D-DNR	High/Medium/Low
Sense Up	Off/Auto (selectable limit 2X – 256X)
Privacy Function	On/Off (4 programmable zones)
Lens Type	3.3-12 mm Varifocal Auto Iris, IR Corrected, F1.5, DC drive
Angle of View	Tele: 29.8° (D), 24.0° (H), 18.0° (V) Wide: 104.2° (D), 80.2° (H), 58.6° (V)
Electrical	
Input Voltage	12 V DC/24 V AC
Input Range	11-16 V DC, 17-28 V AC
Surge Suppression	1.5 kW transient
Power Consumption	(with IRs illuminated) 12 V DC: 4.6 W/24 V AC: 4.8 W max (with IRs illuminated and heater on) 12 V DC/24 V AC: 13 W max

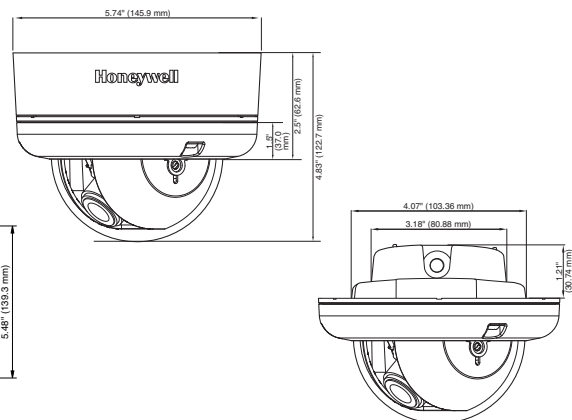
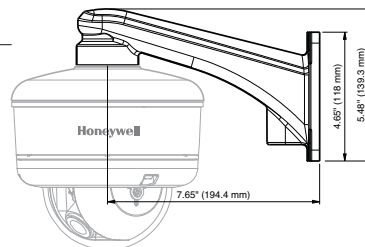
Mechanical	
Dimensions (W x H)	5.74" x 4.83" (145.9 mm x 122.7 mm)
Weight	2.5 lb (1.1 kg)
Construction	Housing: Die cast aluminum Dome: Polycarbonate Finish: Light gray powder coating
Cable Entry	One 3/4" (19.1 mm) NPT threaded opening on side
Connector	Main Video: BNC (coax), 2-pin Molex (UTP) Aux Video: 2-pin connector for video test cable Power Input: 2.1 mm power plug
Environmental	
Temperature	Operating: -40°F to 131°F (-40°C to 55°C) Storage: -49°F to 167°F (-45°C to 75°C)
Relative Humidity	0% to 95%, non-condensing
Rating	IP66
Regulatory	
Emissions	FCC Part 15, Class B CE: EN 55022
Immunity	CE: EN 50130-4
Safety	EU: EN 60065:2001 + A1:2006 + A11:2008 + A12:2011 NA: UL/CSA 60065
Accessories	
Transformers	
HPT2440	24 V AC, 40 VA Class 2 plug-in with thermal cut-out
HPT12DC1000	12 V DC, 1000 mA plug-in regulated 2.1 mm coaxial plug UL Listed/CSA Certified
Power Supply	
HPTV2404UL	24 V AC, 4 Amps, 4 Output, Fused, UL Listed
Housing Mounts	
HD4CHIP-WK	Wall Mount Kit
HD4CHIP-PK	Pendant Mount Kit

### HD4DIRS Dimensions

#### HD4CHIP-PK Pendant Mount



#### HD4CHIP-WK Wall Mount



Ordering	
HD4DIRS	True Day/Night IR Rugged Minidome Camera, 1/3" CCD, 600 TVL, 3.3-12 mm VFAI Lens, 18 IR LEDs, 12 V DC/24 V AC, NTSC

**NOTE:** Honeywell reserves the right, without notification, to make changes in product design or specifications.

### Automation and Control Solutions

Honeywell Systems  
2700 Blankenbaker Pkwy, Suite 150  
Louisville, KY 40299  
1.800.323.4576  
www.honeywell.com

L/HD4DIRSD/D  
November 2012  
© 2011 Honeywell International Inc.

# Honeywell