

## HD50P

### SUPER HIGH RESOLUTION 600 TVL FIXED LENS VANDAL MINI-DOME CAMERA

The Performance Series rounds out Honeywell's camera portfolio with a variety of indoor, outdoor and low light cameras that lets end users pick the perfect camera for virtually any installation. Ideal for a diverse range of applications, the Performance Series includes a wide range of high performing IR bullet cameras and mini-domes that are easy to install and even easier to use.

The HD50P is a rugged indoor/outdoor fixed mini-dome camera. The high-impact dome housing is vandal resistant and weather tight. The integrated housing protects the camera from dust, dirt and water as well as physical harm from strong external impacts (for example, hockey sticks or sledgehammers). The visually appealing low profile design blends with its surroundings, making the HD50P the obvious choice for architecturally sensitive installations. The HD50P incorporates a 1/3" CCD that offers 600 TV lines of crisp, clear horizontal resolution. The camera comes equipped with a built-in fixed lens (f=3.8 mm) and a 3-D axis gimbal that is capable of 360° of pan, 180° of tilt and 360° of horizontal rotation.

The HD50P installs quickly and easily. It comes standard with a two-conductor pigtail that connects to the barrel connector so there is no need to cut wires during installation. The HD50P is designed for use in challenging environments. It is IP66 rated for outdoor installations, but can also be installed indoors, mounted directly to a ceiling or wall.

#### Market Opportunities

The HD50P is a cost effective surveillance solution for applications that experience changing light conditions throughout the day. The HD50P offers a simple yet solid design that provides optimum performance for both indoor and outdoor applications including lobbies, atriums, vestibules, gated entrances, foyers, loading docks and driveways.

#### Features

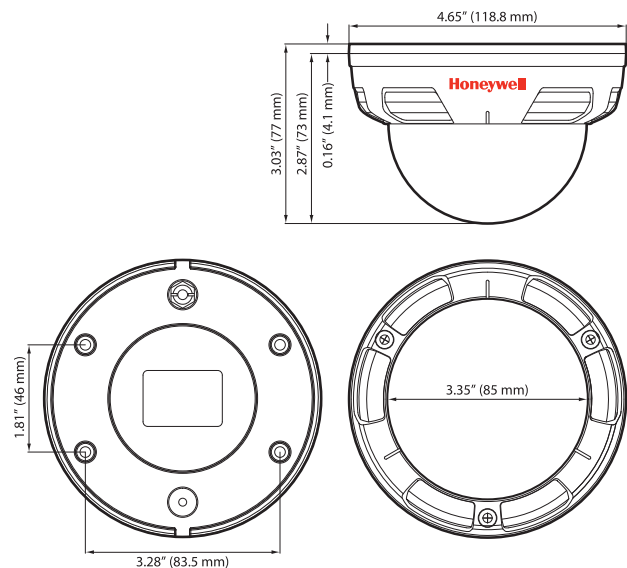
- 1/3" Interline Transfer CCD
- Super high resolution color: 600 TV lines
- Built-in fixed lens (f=3.8 mm)
- Digital Noise Reduction technology for noise free images
- Surface mount enclosure, indoors or outdoors
- Vandal-proof and weather resistant housing: IP66 rating
- Auto White Balance
- 3-D axis gimbal
- Two-conductor pigtail is standard for connection to barrel connector
- 12 VDC input



## SPECIFICATIONS

Operational	
Video Standard	NTSC, PAL
Scanning System	2:1 Interlace
Image Sensor	1/3" Interline Transfer CCD
Number of Pixels (H x V)	768 x 494 (NTSC) 752 x 582 (PAL)
Minimum Illumination	0.9 lux
Horizontal Resolution	600 TVL
Video Output	1.0 Vp-p, composite @ 75 Ohms
Sync System	Internal
S/N Ratio	50 dB
Auto Gain Control	Auto
Automatic Electronic Iris	1/60 – 1/120,000 second (NTSC) 1/50 – 1/120,000 second (PAL)
White Balance	Auto
Gamma	0.45
Lens Type	Built-in fixed (f=3.8 mm)
Angle of View	H: 70° V: 51°
Electrical	
Input Voltage	12 VDC
Input Range	12 VDC ± 10%
Power Consumption	2.2 W

Mechanical	
Dimensions (W x H x D)	See Diagram
Weight	.828 lb (0.376 kg) max
Construction	Housing: Die Cast Aluminum Dome: Polycarbonate Finish: Light gray powder coating
Connectors	Main Video: BNC connector Power Input: 2.1 mm Plug)
Environmental	
Temperature	Operating: 14°F to 122°F (-10°C to 50°C) Storage: -4°F to 140°F (-20°C to 60°C)
Relative Humidity	0% to 90% non-condensing
Rating	IP66
Accessories	
Power Supplies	
HPT12DC500	12 VAC / 500 mA Plug-in Regulated 2.1 mm Coaxial Plug UL Listed/CSA Certified
Regulatory	
Emissions	FCC, CE (EN55022) Class A
Immunity	CE (EN50130-4)
Safety	EU: EN 60950



Ordering	
HD50P	1/3" CCD High Resolution Vandal Mini Dome Camera, 600 TVL, Fixed 3.8 mm, 12 VDC, NTSC
HD50PX	1/3" CCD High Resolution Vandal Mini Dome Camera, 600 TVL, Fixed 3.8mm, 12 VDC, PAL

### Automation and Control Solutions

Honeywell Systems  
2700 Blankenbaker Pkwy, Suite 150  
Louisville, KY 40299  
1.800.796.2288  
www.honeywell.com

L/HD50PD/D  
November 2011  
© 2011 Honeywell International Inc.