

HD61

STANDARD RESOLUTION DAY/NIGHT DOME CAMERA WITH VARI-FOCAL MANUAL IRIS LENS AND INFRARED ILLUMINATORS

The Performance Series rounds out Honeywell's camera portfolio with a variety of indoor, outdoor and low light cameras that lets end users pick the perfect camera for virtually any installation. Ideal for a diverse range of applications, the Performance Series includes a wide range of high performing IR bullet cameras and mini-domes that are easy to install and even easier to use.

The HD61 is a day/night indoor mini-dome camera that switches from color to black and white mode depending upon available light. The HD61 incorporates a 1/3" CCD that offers 380 TV lines of crisp, clear horizontal resolution. The camera comes equipped with 20 integrated LEDs and a built-in 4-9 mm IR corrected aspherical Vari-focal Manual Iris lens for increased optical versatility and no focus shift when the camera switches from day to night mode. The 3-D axis gimbal allows versatile positioning and instant centering of the video image. In addition, the lens is separated from the LEDs by an IR boot mechanism which eliminates internal IR glare.

The HD61 installs quickly and easily. It comes standard with a two-conductor pigtail that connects to the barrel connector so there is no need to cut wires during installation. It also features a video out port for easy focus. The HD61 is designed for use indoors, mounted directly to a ceiling or wall.

Market Opportunities

The HD61 is a cost effective surveillance solution for applications that experience changing light conditions throughout the day. The HD61 offers a simple yet solid design that provides optimum performance for all indoor applications including schools, colleges, universities, hospitals and commercial sites.

Features

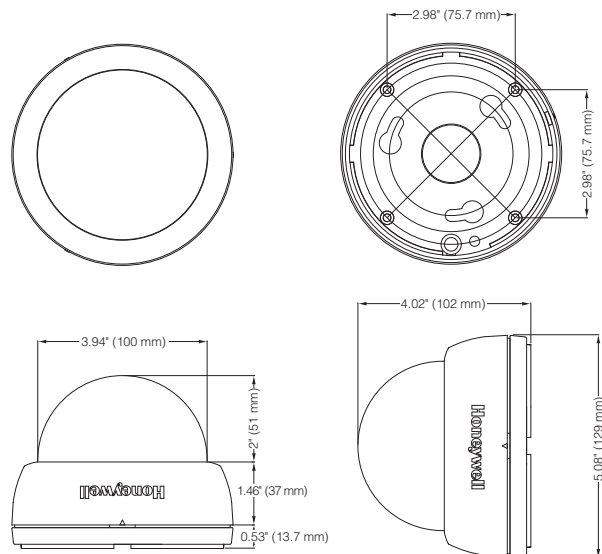
- Standard resolution color: 380 TVL - 1/3" Sony Super HAD CCD
- Day/night with 20 LEDs
- Photocell-controlled and powered by an array of 20 high-efficiency LEDs (850 nm)
- Photocell-controlled on/off switching of infrared illumination
- Built-in 4-9 IR corrected aspherical Vari-focal Manual Iris lens
- On screen display menu for easy setup of camera
- Even distribution IR for optimal image capture
- Total effectiveness in zero lux environments
- IR LED visible range of ~65 ft. (20m)
- 3-D axis gimbal
- Video out port for setup
- Two-conductor pigtail is standard for connection to barrel connector



SPECIFICATIONS

Operational	
Video Standard	NTSC, PAL
Scanning System	2:1 Interlace
Image Sensor	1/3" Sony HAD CCD sensor
Number of Pixels (H x V)	537 x 505 (NTSC) 537 x 597 (PAL)
Minimum Illumination	0.0 lux, operates in complete darkness
Horizontal Resolution	380 TVL
Video Output	1.0 Vp-p, composite @ 75 Ohms
Sync System	Internal
S/N Ratio	50 dB or more (AGC Off)
Auto Gain Control	On/Off
Automatic Electronic Shutter	1/60–1/100,000 second (NTSC) 1/50–1/100,000 second (PAL)
Privacy Function	On/Off (4 Programmable Zones)
White Balance	Auto
IR LEDs	850 nm, 20 LEDs
IR Illumination Distance (dependent on scene reflectance)	~65 ft. (20m)
BLC	On/Off
Gamma	0.45
Lens Type	4-9 mm VFMI
Angle of View	H: 62° - 30° V: 48° - 23°
Electrical	
Input Voltage	12 VDC
Input Range	10-14 VDC
Power Consumption	4.5 W (max) with IR LEDs on
Mechanical	
Dimensions	See Diagram
Weight	1.86 lb (0.84 kg)
Construction	Housing: ABS Dome: Acrylic Finish: Light gray powder coating
Cable Entry	One 3/4" (19.1 mm) NPT threaded opening on side
Connector	Main Video: BNC connector Aux Video: 2-pin connector for video test cable (supplied) Power Input: 2.1 mm Plug

Environmental	
Temperature	Operating: 14°F to 122° F (-10° to 50° C) Storage: -49°F to 167°F (-45°C to 75°C)
Relative Humidity	0% to 90% non-condensing
Regulatory	
Emissions	FCC, CE: (EN55022) Class A
Immunity	CE: EN 50130-4
Safety	EU: EN 60065
Accessories	
Power Supplies	
HPT12DC500	12 VAC/500 mA Plug-in Regulated 2.1 mm Coaxial Plug UL Listed/CSA Certified



Ordering	
HD61	1/3" CCD Integrated Day/Night Standard Resolution IR Resistant Dome Camera, 380 TVL, 20 LEDs, 4-9 mm VFMI Lens, 12 VDC NTSC
HD61X	1/3" CCD Integrated Day/Night Standard Resolution IR Resistant Dome Camera, 380 TVL, 20 LEDs, 4-9 mm VFMI Lens, 12 VDC PAL

Honeywell Security & Data Collection

Honeywell
2700 Blankenbaker Pkwy, Suite 150
Louisville, KY 40299
1.800.796.CCTV (2288)
www.honeywell.com

L/HD61D/D
June 2009
© 2009 Honeywell International Inc.