

## HD62

### HIGH RESOLUTION VARIFOCAL MANUAL IRIS LENS DAY/NIGHT INDOOR IR MINIDOME CAMERA

The Performance Series rounds out Honeywell's camera portfolio with a variety of indoor, outdoor and low-light cameras that lets end users pick the perfect camera for virtually any installation. Ideal for a diverse range of applications, the Performance Series includes a wide range of high performing IR bullet cameras and minidomes that are easy to install and even easier to use.

The HD62 is a day/night indoor minidome camera that switches from color to black-and-white mode depending upon available light. The HD62 incorporates a 1/3" high sensitivity CCD that offers 630 TV lines of crisp, clear horizontal resolution. The camera comes equipped with 20 integrated IR LEDs and a built-in 2.8–12 mm (F1.4) IR-corrected aspherical varifocal manual iris lens for increased optical versatility and no focus shift when the camera switches from day to night mode. In addition, the lens is separated from the LEDs by an IR boot mechanism that eliminates internal IR glare.

The HD62 installs quickly and easily. It comes standard with a two-conductor pigtail that connects to the barrel connector, eliminating the need to cut wires during installation. It also features a 3D axis gimbal for versatile camera positioning and a video out port for easy focus and zoom adjustment. The HD62 is designed for indoor use and can be mounted directly to a ceiling or wall.

#### Market Opportunities

The HD62 is a cost-effective surveillance solution for applications that experience changing light conditions throughout the day. The HD62 offers a simple yet solid design that provides optimum performance for all indoor applications including schools, colleges, universities, hospitals and commercial sites.

#### Features

- High resolution color: 630 TVL
- 1/3" high sensitivity CCD
- 2.8–12 mm (F1.4) IR-corrected aspherical manual iris lens
- Day/night function
- 20 IR LEDs with a visible range up to 65 ft (20 m)
- Even distribution of the IR for optimal image capture
- Total effectiveness in 0 lux environments
- 3D axis gimbal
- OSD menu for quick setup
- Local video output for setup
- 4 programmable motion detection zones
- 8 programmable privacy zones

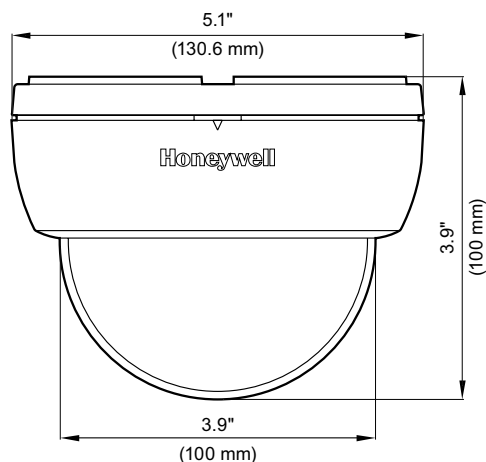


HD62

## SPECIFICATIONS

Camera	
Video Standard	NTSC, PAL
Image Sensor	1/3-inch CCD
Number of Pixels (H x V)	976 x 494 (NTSC) 976 x 582 (PAL)
Minimum Illumination	0.1 lux color @ 30 IRE; 0 lux (IR LEDs on)
Video Output	1.0 Vp-p @ 75 ohms
Sync	Internal sync
S/N Ratio	50 dB or more (AGC off)
Horizontal Resolution	630 TVL
Auto Gain Control	0-20
Automatic Electronic Shutter	1/60-1/120,000 s (NTSC) 1/50-1/120,000 s (PAL)
White Balance	ATW/Push/Manual
D-WDR	Off/Low/Middle/High
BLC/HLC	Off/Low/Middle/High
Day/Night	IRed/Auto/Day/Night
Motion Detection	4 programmable zones
Privacy Masking	8 programmable zones
IR LEDs	850 nm, 20 LEDs
IR Illumination Distance	Up to 65 ft (20 m), depending on scene reflectance
Lens Type	2.8-12 mm varifocal manual iris, F1.4
Angle of View	Horizontal: 90°- 28° Vertical: 65°-21.2° Diagonal: 114°-36°

Electrical	
Input Voltage	12 V DC (±10%)
Power Consumption	3.6 W (max) / 300 mA
Mechanical	
Dimensions (W x H)	5.1 x 3.9 in. (130.6 x 100.0 mm)
Weight	0.76 lb (0.34 kg)
Construction	Housing: ABS Color: Light gray
Connectors	Main Video: BNC connector Aux Video: 2-pin connector for test cable Power input: 2.1 mm plug
Environmental	
Temperature	Operating: -14°F to 122°F (-10°C to 50°C) Storage: -4°F to 140°F (-20°C to 60°C)
Relative Humidity	Operating: 30% to 80% non-condensing Storage: 20% to 90% non-condensing
Regulatory	
Emissions	FCC Class A, CE (EN 55022)
Immunity	CE (EN 50130-4)
Safety	CE (EN 60950-1)



Ordering	
HD62	High Resolution, Day/Night, Indoor Minidome Camera, 1/3" CCD, 630 TVL, 2.8-12 mm, 12 V DC, NTSC
HD62X	High Resolution, Day/Night, Indoor Minidome Camera, 1/3" CCD, 630 TVL, 2.8-12 mm, 12 V DC, PAL

### For more information:

www.honeywell.com/security

### Automation and Control Solutions

Honeywell Security Products Americas  
2700 Blankenbaker Pkwy, Suite 150  
Louisville, KY 40299  
1.800.323.4576  
www.honeywell.com

L/HD62D/D  
December 2013  
© 2013 Honeywell International Inc.

# Honeywell