

## HD6 MOUNTS AND ADAPTERS

### PARAPET, WALL, AND PENDANT MOUNTS WITH CORNER AND POLE MOUNT ADAPTERS

For use with the Honeywell HD6 Series PTZ Domes, the HD6 Mounts and Adapter Series offers solid constructed accessories to compliment any installation. Each mount is designed with the installer in mind. Internal routing channels and removable access panels allow clean cable routing, free of exposed wiring.

The PRM100W parapet mount is constructed of schedule-40 galvanized steel pipe that is extremely rugged and can withstand some of the harshest environments, including wind loading up to 130 mph when properly fastened to a support structure. The PRM100W also includes a sealed conduit fitting for all cable connections. The PRM100W is available in white and is perfectly suited for mounting the HD6 PTZ domes.

The MDW1210W wall mount is a heavy-duty indoor/outdoor mounting arrangement designed for use with the HD6 Indoor Pendant and the HD6 WeatherDome. The MDW1210W can be corner or pole mounted using the CMA18W corner mount adapter or the PMA7W pole mount adapter.

The DPM15 outdoor pendant mount and the DWM19S outdoor wall mount are constructed of black schedule-40 galvanized steel pipe. These mounts provide a stable mounting platform for the HD6 WeatherDome in harsh conditions where high winds can be expected.

#### Market Opportunities

The flexible mounting options for the HD6 make it a suitable PTZ dome for most indoor and outdoor installations. In applications where aesthetics are a concern, such as in banks or retail outlets, Honeywell's wall mounts are easy to install – whether indoor or outdoor. When used with Honeywell's corner mount adapter, coverage for both the front and side areas of a building or parking lot is possible using a single dome. Honeywell's pole mount adapter makes installation on tall poles, such as in traffic monitoring and marine locations, hassle-free, allowing maximum viewing coverage even during high wind conditions.

#### Features

- Heavy-duty design for harsh environments
- Handles wind loads up to 130 mph
- Solid construction ensures maximum strength
- Interconnecting cabling hidden in mount
  - clean and free of exposed cabling
- Removable access door for simplified cable connections
- Pivoting mount allows for ladder-less installation and access



MDW1210W



DWM19S



DPM15



CMA18W



PMA7W



PMA18B

# HD6 MOUNTS AND ADAPTERS

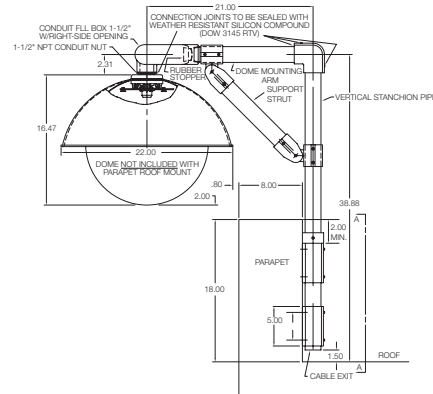
www.honeywellvideo.com

## SPECIFICATIONS

### MOUNTS

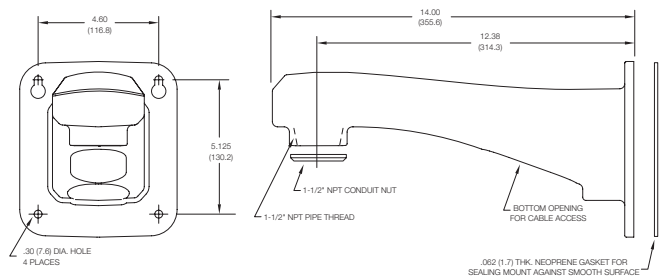
PRM100W

Mechanical	
Construction	<b>Housing:</b> High tensile aluminum alloy elbow and base plates with Schedule-40 Steel pipe <b>Finish:</b> White Epoxy base paint elbow and base plate, brushed aluminum couplings
Dimensions	See Line Drawing
Weight	20 lbs (9.06 kg)
Environment	Outdoor
Max Load	75 lbs (34kg)
Wind Load	130 mph (209kph)



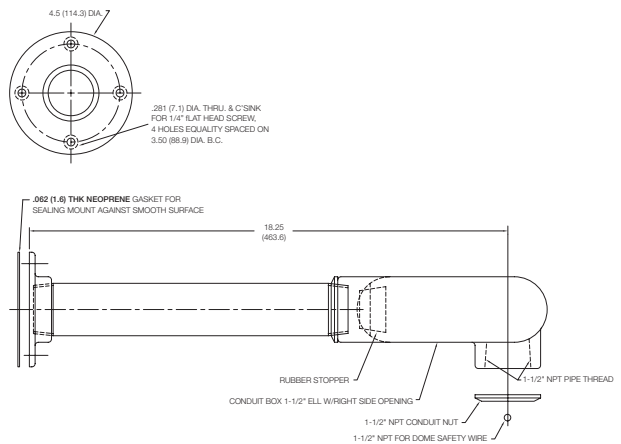
MDW1210W

Mechanical	
Construction	<b>Housing:</b> Aluminum <b>Finish:</b> White epoxy base paint
Dimensions	See Line Drawing
Weight	3.4 lbs (1.54kg)
Environment	Indoor/Outdoor
Max Load	75 lbs (34kg)
Wind Load	130 mph (209kph)



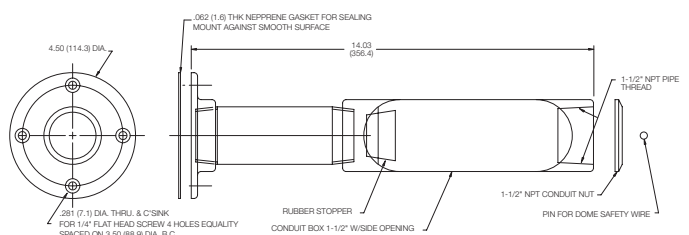
DWM19S

Mechanical	
Construction	<b>Housing:</b> Schedule-40 galvanized steel flange and pipe, high tensile aluminum alloy elbow <b>Finish:</b> Black epoxy base painted pipe, brushed aluminum couplings
Dimensions	See Line Drawing
Weight	6.5 lbs (2.94kg)
Environment	Outdoor
Max Load	75 lbs (34kg)
Wind Load	130 mph (209kph)



DPM15

Mechanical	
Construction	<b>Housing:</b> Schedule-40 galvanized steel flange and pipe <b>Finish:</b> Black epoxy base paint
Dimensions	See Line Drawing
Weight	4.7 lbs (2.1kg)
Environment	Indoor/Outdoor
Max Load	25 lbs (11.3kg)
Wind Load	75 mph (121kph)



# HD6 MOUNTS AND ADAPTERS

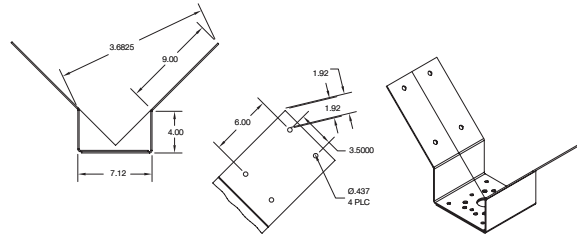
www.honeywellvideo.com

## SPECIFICATIONS

### ADAPTERS

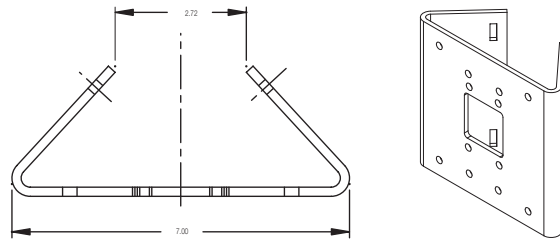
#### CMA18W

Mechanical	
Construction	<b>Housing:</b> High tensile aluminum alloy <b>Finish:</b> White epoxy base paint
Dimensions	See Line Drawing
Environment	Indoor/Outdoor
Weight	2.6 lbs (1.18kg)



#### PMA7W

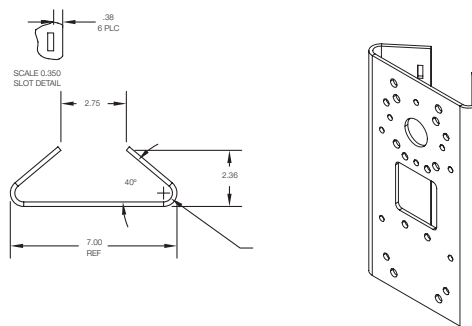
Mechanical	
Construction	<b>Housing:</b> Die-cast aluminum <b>Finish:</b> Off-white, epoxy base paint
Dimensions	See Line Drawing
Environment	Indoor/Outdoor
Weight	2.8 lbs (1.27kg)



**NOTE:** PMA7W includes 2-stainless steel mounting straps

#### PMA18W

Mechanical	
Construction	<b>Housing:</b> High tensile aluminum alloy <b>Finish:</b> White epoxy base paint
Dimensions	See Line Drawing
Environment	Indoor/Outdoor
Weight	3.0 lbs (1.36kg)
Max Load	175 lbs (79.4kg)
Wind Load	130 mph (209kph)



**NOTE:** PMA18W require 2-stainless steel mounting straps (not provided)

# HD6 MOUNTS AND ADAPTERS

www.honeywellvideo.com

## SPECIFICATIONS

PTZ Dome Accessories			
	HD6 Indoor Pendant Mounts	HD6 Indoor Ceiling Mounts	HD6 Outdoor Weather
<b>Mounts and Mount Adapters</b>			
PRM100W			X
MDW1210W	X		X
DWM19S			X
DMP15	X		X
CMA18W	X		X
PMA7W	X		X
PMA18W			X

Ordering	
<b>PRM100W</b>	Parapet roof mount, white
<b>MDW1210W</b>	Heavy duty wall mount, white
<b>DWM19S</b>	Extreme condition wall mount with support strut
<b>DMP15</b>	Indoor/Outdoor Pendant mount
<b>CMA18W</b>	Corner mount adaptor for MDW1210W, wall mount, white
<b>PMA7W</b>	Pole mount adaptor for MDW1210W, wall mount, white
<b>PMA18W</b>	Pole mount adaptor for DWM19S, wall mount, white

**NOTE:** Honeywell reserves the right, without notification, to make changes in product design or specifications.

**For more information:**  
www.honeywellvideo.com

### Honeywell Security & Data Collection

Honeywell  
2700 Blankenbaker Pkwy, Suite 150  
Louisville, KY 40299  
1.800.796.CCTV (2288)  
www.honeywell.com

L/HD6MNTAD/D  
November 2008  
© 2008 Honeywell International Inc.