

HDT

10X TRUE DAY/NIGHT PERFORMANCE SERIES PTZ

The Performance Series cameras round out Honeywell's video portfolio with a variety of indoor, outdoor and low light models that let you pick the perfect camera for virtually any installation. Ideal for a diverse range of applications, the Performance Series includes a wide range of high performing IR bullet cameras and mini-domes. And now, we are pleased to announce the addition of the HDT pan/tilt/zoom dome.

The HDT Performance Series PTZ dome is a truly adaptable unit that's aesthetically pleasing. Its small form factor remains virtually unnoticed in varying indoor surveillance applications. The True Day/Night HDT comes with a 10X optical zoom lens and 470 TVL of resolution.

The HDT Performance Series PTZ dome is very easy to install and even easier to use. It's equipped with its own "ready to go" fly lead for rapid installation, saving time on site or allowing more commissioned domes per day. The unit is dual powered by 12 VDC/24 VAC and low powered at 9.6 W, and it's still able to respond to surveillance requirements at 360° per second through the full pan of 360° continuous.

Market Opportunities

The HDT Performance Series PTZ dome is a low profile unit suited to areas where a larger dome is impractical. It's even smaller than many fixed mini-domes in the market. The HDT PTZ is perfect for applications that may require the aesthetics of a mini-dome but full PTZ functionality. It is also great for retailers or in environments where customers and visitors are monitored.

Features

- 10X True Day/Night
- 470 TVL (NTSC and PAL)
- In-ceiling and surface fitting
- Optional brackets to ceiling or wall mount
- Up to 127 user-defined presets
- 8 swings (moving between 2 presets)
- 8 groups (mix patterns and swings)
- 4 patterns (mimic tours)



In-ceiling Mount



Surface Mount



Ceiling Mount



Wall Mount

SPECIFICATIONS

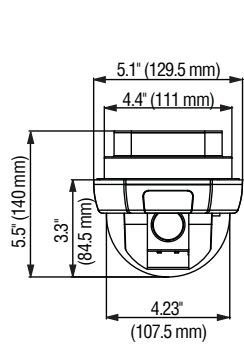
Camera Module	
Image Sensor	1/4" Interline Transfer CCD
Lens	10X optical zoom, f=3.8 mm (wide) to 38 mm (tele), F1.8
Horizontal Resolution	470 TVL (Color), 540 TVL (B/W) (NTSC and PAL)
Moveable IR Filter	Yes
Digital Zoom	10X (100X total zoom)
Angle of View (H)	H: 51.2° (wide) to 5.58° (tele)/V: 39.3° (wide) to 4.27° (tele)
Sync System	Internal
Minimum Illumination	0.7 Lux (Color) / 0.02 Lux (B/W), 50 IRE
S/N Ratio	50 dB (AGC Off)
Electronic Shutter	X128 to 1/120,000 sec
White Balance	Auto/Manual
Gain	Normal /High/Off
Backlight Compensation	Low/Middle/High/Off
Focusing System	Auto/Manual/Semi-Auto
SSNR	Low/Middle/High/Off
Day & Night	Auto/Day/Night
Operational	
Angular Travel	Horizontal: 360° continuous Tilt: horizontal to 90° down
Speed (Manual Mode)	Pan: variable from 0.05° to 360°/sec. Tilt: variable from 0.05° to 360°/sec.
Speed to Preset	360°/sec
Preset Accuracy	± 0.2°
Presets Per Dome	127
Swing	8 swings
Pattern	4 patterns
Group	8 groups
Protocols Supported	Pelco D
Receiver/Driver	Digital Communication: RS485 Addressing: 8 numeric rotary switches Protocol: 3 position DIP switch
Environmental	
Temperature	Operating: 32°F to 104°F (0°C to 40°) Storage: -40°F to 140°F (-40°C to +60°C)
Relative Humidity	0% to 93%, non-condensing
Regulatory	
Emissions	FCC: Part 15, Class A CE: EN55022, Class A
Immunity	CE:EN50130-4

SPECIFICATIONS

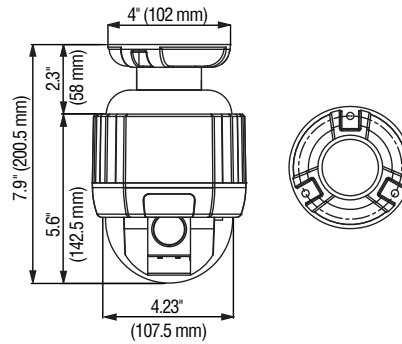
In-ceiling Mount	
Electrical	
Input Voltage	12 VDC/24 VAC
Input Tolerance	11 to 18 VDC, 17 to 29 VAC
Power Consumption	9.6 W
Mechanical	
Dimensions	5.5" H x 5.1" Dia. (140 mm H x 129.5 mm Dia.) Lower Dome: 4.23" Dia. (107.5 mm Dia.)
Weight	1.71 lb (0.78 kg)
Construction	Housing: Polycarbonate
Mounting Method	0.19" (5 mm) diameter mounting hole x3
Surface Mount	
Electrical	
Input Voltage	12 VDC/24 VAC
Input Tolerance	11 to 18 VDC, 17 to 29 VAC
Power Consumption	9.6 W
Mechanical	
Dimensions	Housing: 5.6" H x 5.1" Dia. (142.5 mm H x 129.5 mm Dia.) Lower Dome: 4.23" Dia. (107.5 mm Dia.)
Weight	1.71 lb (0.78 kg)
Construction	Housing: Polycarbonate
Mounting Method	0.19" (5 mm) diameter mounting hole x4
Ceiling Mount	
Electrical	
Input Voltage	12 VDC/24 VAC
Input Tolerance	11 to 18 VDC, 17 to 29 VAC
Power Consumption	9.6 W
Mechanical	
Dimensions	7.9" H x 5.1" Dia. (200.5 mm H x 129.5 mm Dia.) Lower Dome: 4.23" Dia. (107.5 mm Dia.)
Weight	1.91 lb (0.87 kg)
Construction	Housing: Polycarbonate
Mounting Method	0.23" (6 mm) diameter mounting hole x3
Wall Mount	
Electrical	
Input Voltage	12 VDC/24 VAC
Input Tolerance	11 to 18 VDC, 17 to 29 VAC
Power Consumption	9.6 W
Mechanical	
Dimensions	8.7" H x 8.3" L (220.5 mm H x 210.8 mm L) Lower Dome: 4.23" Dia. (107.5 mm Dia.)
Weight	2.02 lb (0.91 kg)
Construction	Housing: Polycarbonate
Mounting Method	0.27" (7 mm) diameter mounting hole x4

ACCESSORIES AND ORDERING

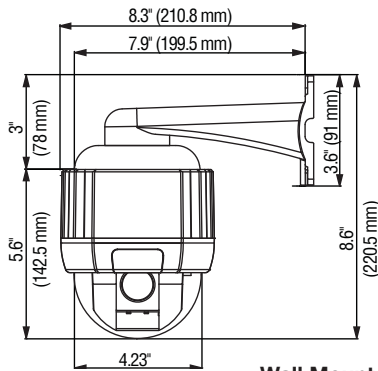
Accessories	
Brackets	
HDTW	10X TDN PTZ Dome, Indoor, Wall Mount Bracket
HDTC	10X TDN PTZ Dome, Indoor, Ceiling Mount Bracket



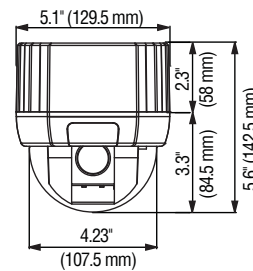
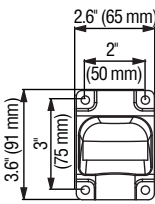
In-ceiling Mount



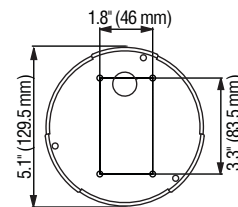
Ceiling Mount



Wall Mount



Surface Mount



Ordering	
HDT	10X TDN PTZ Dome, Indoor, NTSC, Clear
HDT(X)	10X TDN PTZ Dome, Indoor, PAL, Clear

NOTE: Honeywell reserves the right, without notification, to make changes in product design or specifications.

Automation and Control Solutions

Honeywell Systems
 2700 Blankenbaker Pkwy, Suite 150
 Louisville, KY 40299
 1.800.323.4576
 www.honeywell.com

L/HDT/D
 February 2011
 © 2011 Honeywell International Inc.