

HTC29 Series

www.honeywellvideo.com

MOBILE ANGLE DOME CAMERA

The HTC29 Series angle dome camera is suitable for vehicles requiring a basic camera with clear images and low maintenance. The HTC29 Series is a practical solution that offers a high impact dome and housing to reduce the risk of tampering. With audio, black and white or color capabilities, the HTC29 is compatible with both VCRs and mobile digital recorders.

Market Opportunities

With the video industry transitioning from analog to digital, the HTC29 Series is the camera that can provide the necessary images for both analog and digital systems. For companies seeking to explore the new digital video environment or migrating from analog to digital, the HTC29 Series provides a flexible option for working with both VCRs and digital recorders. The HTC29 is optimal for the most intense environments because it features tamper resistant housing, which allows it to be used in all vehicle types – even in vehicles where the potential for damage is high.

Features

- High impact, tamper resistant dome and housing
- Unobtrusive, small enclosure
- Easy to install
- Audio
- 3-D gimbal for maximum lens rotation
- Black and white or color camera
- Compatible with:
 - HTRD100 Mobile Digital Video Recorder Series
 - HTR62 Mobile Video Cassette Recorder



HTC29 Series

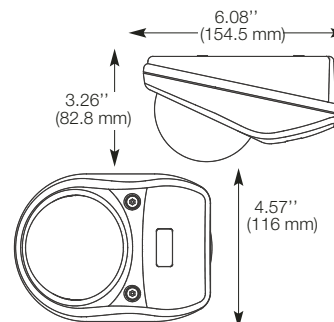
www.honeywellvideo.com

SPECIFICATIONS

Operational		
	Black and White	Color
Video Standard	EIA, CCIR	NTSC, PAL
Scanning System	525/60 Lines (NTSC/CIA) 625/50 Lines (PAL/CCIR)	
Image Sensor	1/3" CCD Sony/Panasonic Sensor	
Number of Pixels (H x V)	EIA: 512 x 492 std res 816 x 495 high res CCIR: 512 x 582 std res	NTSC: 510 x 492 std res 768 x 494 high res PAL: 500 x 582 std res
Minimum Illumination	0.05 lux @ F1.4 (Std Res) 0.10 lux @ F1.4 (High Res)	0.5 lux @ F1.4 (Std Res) 0.6 lux @ F1.4 (High Res)
Horizontal Resolution	410 TV lines (Std Res) 570 TV lines (High Res)	350 TV lines (Std Res) 480 TV lines (High Res)
Video Output	1 Vp-p @ 75 Ohms	
Sync System	12 VDC internal	
S/N Ratio	Better than 51 dB	
Auto Gain Control	On/Off (1-26 dB max), switchable	
Automatic Electronic Shutter	1/60 to 1/100,000 seconds	
White Balance	AWB/ATW	AWB/ATW/Indoor (3200°K) Outdoor (6500°K)
BLC	On (central window), off-switchable	
Lens Type	Fixed with auto iris	
Audio Output	600 Ohms impedance	
Audio Frequency Response	500 Hz to 7.5 kHz, -3 dB bandwidth optimized to eliminate unwanted noise interference	
Audio Sensitivity	1 Vp-p: 55 dB SPL @ 10 ft. (3.05 m) speech level audio	
Electrical		
Input Voltage	12 VDC	
Input Range	11 – 16 VDC regulated	
Surge Suppression	1.5 kW transient	
Power Consumption	2.5 W	3.5 W

Mechanical	
Dimensions (W x H x D)	4.57" x 3.26" x 6.08" (116.0 x 82.8 x 154.5 mm)
Weight	1.5 lbs (0.68 kg) (without cables)
Construction	Housing: Polycarbonate Dome: Hard coated polycarbonate Finish: Matte
Connectors	Video Output: RCA Audio Output: RCA Power Input: Barrel 2.1mm
Environmental	
Temperature	Operating: -13°F to +122°F (-25°C to +50°C) Storage: -31°F to +140°F (-35°C to +60°C)
Relative Humidity	0% to 95%, non-condensing
Accessories	
Camera Cables	
HTC29SBADIK	Camera Cable Kit: Includes HTC29M-CBL-20 and 20 ft vehicle interface cable for HTR62 and HTRD100 Series Recorder
HTC29M-CBL-20	Cable for power, video and audio 20 feet
HTC29M-CBL-60	Cable for power, video and audio 60 feet
Compatible Recorders	
HTR62	Mobile VCR
HTRD100	Single Channel Mobile Digital Recorder

Field of View						
(mm)	2.9	3.6	6.0	8.0	12	16
Horizontal	90°	74°	42°	32°	22°	15°
Vertical	67°	55°	32°	24°	17°	11°
Lens Code	029	036	060	080	120	160



Ordering	
HTC29 M C 1 080	
Microphone Options M Microphone (audio) T No Microphone	Lens Options 029 2.9 mm 080 8.0 mm 036 3.6 mm 120 12.0 mm 060 6.0 mm 160 16.0 mm
Camera Options B B/W Sensor C Color Sensor	1 EIA/NTSC 2 CCIR/PAL 6 EIA High Res/NTSC High Res

NOTE: Honeywell reserves the right, without notification, to make changes in product design or specifications.

Honeywell Security

Honeywell Video Systems
 2700 Blankenbaker Pkwy, Suite 150
 Louisville, KY 40299
 1.800.796.CCTV
 www.honeywell.com

L/HTC29SRD/D
 June 2007
 © 2007 Honeywell International Inc.

Honeywell