

HUTP214T-M

PASSIVE UTP VIDEO TRANSCEIVER

The Honeywell HUTP214T-M video transceiver is a passive (non-amplified) device that allows intra-building transmission of real-time monochrome or color video over unshielded twisted pair (UTP) telephone wire. Baseband (composite) signals of any type are supported at distances up to 3000 ft (914m).

Up-the-coax type signals may be sent over the same wire pair. Used as a receiver, the HUTP214T-M is fully compatible with qualified cameras that are equipped with Honeywell twisted pair output.

The unparalleled interference rejection and low emissions of the HUTP214T-M allow video signals to co-exist in the same wire bundle as telephone, datacom, or low-voltage power circuits. This enables the use of a shared or existing cable.

Market Opportunities

The HUTP214T-M passive UTP video transceiver is an ideal solution for transmission of video signals up to distances of 750 ft (225m) to another Honeywell passive video transceiver, or at distances up to 3000 ft (914m) to a Honeywell Active Video Receiver.

As a camera-end device, the HUTP214T-M transceiver may be utilized with Honeywell fixed, dome, and PTZ cameras that are not already equipped with twisted pair output.

UTP transmission is ideally suited for the several different markets (e.g., gaming, retail, education, etc.). The HUTP214T-M can be used for new installations or leverage existing UTP cable.

Features

- Full-motion CCTV video at distances up to 3000 ft (914m)
- Supports "up-the-coax" type control signals
- No power required
- Exceptional interference rejection
- Compatible with qualified UTP cameras



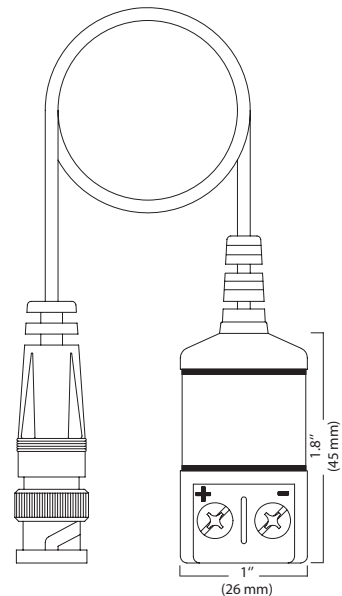
HUTP214T-M

www.honeywellvideo.com

SPECIFICATIONS

Video	
Frequency response	DC to 5 MHz
Attenuation	0.5 dB type
Common-mode / Differential-mode rejection (15 KHz to 5 MHz)	60 dB type
Impedance	Coax, male BNC 75 Ohms UTP, Terminal Block 100 Ohms
Wire Type	
Network Wiring	One unshielded twisted pair 24-16 AWG (0.5-1.31 mm)
Category Type	2 or better
Impedance	100 ± 20 Ohms
DC Loop Resistance (24 AWG)	52 Ohms per 1000 ft (18 Ohms per 100m)
Differential Capacitance	19 pF/ft max (62 pF/m max)
Wire Length	As a transmitter: - Up to 750 ft with passive transceiver or hub. - 750 to 3000 ft with active receiver or distribution amplifier. As a receiver: - Up to 750 ft

Environmental	
Temperature	-4°F to +167°F (-20°C to +75°C)
Relative Humidity	0 to 95% (non-condensing)
Transient Immunity	Per ANSI/IEEE 587 C62.41
Mechanical	
Dimensions	1" dia x 1.8" long with 9" mini-coax (26 mm x 45 mm long with 230 mm mini-coax)
Weight	0.125 lb (60g)
Construction	Housing: FR- PVC Finish: Textured
Connections	BNC Pigtail: 9" (228 mm)
Accessories	
Coax cable	Integrated 9" coax cable with male connector



Ordering	
HUTP214T-M	Single channel passive UTP video transceiver

NOTE: Honeywell reserves the right, without notification, to make changes in product design or specifications.

Honeywell Security

Honeywell Video Systems
2700 Blankenbaker Pkwy, Suite 150
Louisville, KY 40299
1.800.796.CCTV
www.honeywell.com

L/HUT214TM/D
January 2008
© 2008 Honeywell International Inc.