

## PrimaView™ Series

www.honeywellvideo.com

### MODULAR CAMERA SYSTEM

The Honeywell MagnaView®/PrimaView™ and the HD14/HD28 cameras offer the flexibility of a modular system, and the ease of an integrated, fully configured system. All of these systems provide solutions for indoor and outdoor use and all are vandal resistant. The modular systems allow a choice of 9 different housing options, 10 different camera options and 9 different lens options. The MagnaView system offers metal housings while the PrimaView offers polycarbonate. The integrated systems – the HD14 Series and HD28 Series– offer the most popular versions of the MagnaView and PrimaView in pre-configured systems.

The Honeywell PrimaView® modular camera system is a premium, lightweight – yet strong – CCTV camera featuring an impact-resistant, flame rated, polycarbonate housing. PrimaView cameras are high-quality and cost effective and feature superior picture quality that outperforms many conventional CCD cameras. The HEC12 and HEC14 instantly convert to flush or surface mount and can be easily installed using a 4S electrical box. All PrimaView cameras have an adjustable dome insert to conceal and protect camera components and are engineered to consistently deliver crisp, clear images without compromise. The HEV29A angle dome displays a field of view superior to flat view surveillance cameras. Their attractive, low profile design blends with indoor and outdoor environments making PrimaView modular cameras the obvious choice for architecturally-sensitive installations.

PrimaView also provides the flexibility to design a custom CCTV camera quickly and economically. Simply select any one of the 3 PrimaView housings, 9 camera boards and 9 lens options. Honeywell's assortment of standard or high resolution color or black and white cameras with True Day/Night resolution or Wide Dynamic functionality perform to exceed most security requirements. Teamed with Honeywell's Quick Change lenses or Vari-focal Auto Iris lenses, the system will deliver clear, sharp, color or monochrome images in bright daylight, as well as in little or no light.

#### Market Opportunities

With Honeywell's easy-to-order, easy-to-install PrimaView Series modular CCTV camera system, it is easy to upgrade or integrate CCTV security systems quickly and affordably. The PrimaView Series provides custom designed surveillance cameras that are right for any application - indoor or out.

#### Features

- Wide range of snap-in black and white and color cameras, including True Day/Night and Wide Dynamic
- Select from most popular transmission media (Coaxial, or UTP) integrated inside the camera
- Choose from surface or flush mount enclosure, with or without a 4S electrical box
- The HEV29A field of view is designed to see horizontally along ceiling and walls
- Weather sealed for indoor and outdoor applications – everything from malls to banks, hotels and conference centers to restaurants and casinos, cruise ships to parkades, schools to hospitals
- Compatible with Quick Change Fixed (2.9 mm to 16.0 mm) and Vari-focal Auto Iris Lenses (4.0 mm to 9.0 mm, 2.6 mm to 6.0 mm, 9.0 mm to 22.0 mm)  
\*HEC12 compatible with Quick Change Fixed Lens only
- 3-D gimbal allows for maximum lens rotation and placement
- One power connection self-configures to either 12 VDC or 24 VAC. AC line-lock standard with all cameras in 24 VAC operation



PrimaView shown without mount ring for flush mounting



PrimaView shown with mount ring for surface mounting

## SPECIFICATIONS

Camera	Image Sensor	Number of Pixels (H x V)	Total Pixels	Minimum Illumination	Horizontal Resolution	Power Consumption
<b>HCGB41</b>	1/3" CCD Black and White	EIA: 512 x 492 CCIR: 512 x 582	EIA: 260K CCIR: 300K	0.35 lux @ F2.0	410 TVL	2.5 W
<b>HCGB57</b>	1/3" CCD Black and White	EIA: 816 x 495 CCIR: 798 x 584	EIA: 410K CCIR: 480K	0.4 lux @ F2.0	570 TVL	2.5 W
<b>HCGC35</b>	1/3" CCD Color	NTSC: 510 x 492 PAL: 500 x 582	NTSC: 410K PAL: 290K	0.8 lux @ F2.0	350 TVL	3.5 W
<b>HCGC48</b>	1/3" CCD Color	NTSC: 768 x 494 PAL: 752 x 582	NTSC: 380K PAL: 440K	1.0 lux @ F2.0	480 TVL	3.5 W
<b>HCGE35</b>	1/3" CCD EXview Color	NTSC: 510 x 492 PAL: 500 x 582	NTSC: 250K PAL: 290K	0.8 lux @ F2.0	350 TVL	3.5 W
<b>HCGE48</b>	1/3" CCD EXview Color	NTSC: 768 x 494 PAL: 752 x 582	NTSC: 380K PAL: 440K	1.0 lux @ F2.0	480 TVL	3.5 W
<b>HCGD35</b>	1/3" CCD True Day/Night	NTSC: 510 x 492 PAL: 500 x 582	NTSC: 250K PAL: 290K	0.35 lux @ F2.0	350 TVL	3.5 W
<b>HCGD48</b>	1/3" CCD True Day/Night	NTSC: 768 x 494 PAL: 752 x 582	NTSC: 380K PAL: 440K	0.4 lux @ F2.0	480 TVL	3.5 W
<b>HCGW48</b>	1/3" CCD Wide Dynamic	NTSC: 768 x 494 PAL: 752 x 582	NTSC: 380K PAL: 440	0.8 lux @ F2.0	480 TVL	4.5 W
<b>HCGWD48</b>	1/3" CCD Wide Dynamic True Day/Night	NTSC: 768 x 494 PAL: 752 x 582	NTSC: 380K PAL: 440K	0.3 lux @ F2.0	480 TVL	4.5 W

**HCGB41 and HCGB57 Black and White Cameras** offer low light image capturing in crisp detail. When combined with an infrared illuminator, objects can be seen in perfect darkness.

**HCGC35 and HCGC48 Color Cameras** increase object recognition in your focal area.

**HCGE35 and HCGE48 EXview Color Cameras** use an advanced technology image sensor that dramatically improves light efficiency. CCTV cameras that use EXview™ technology have twice the sensitivity of a standard CCD chip.

**HCGD35 and HCGD48 True Day/Night.** The incorporation of a moving mechanical IR filter within the camera ensures true 24 hour surveillance, providing high quality color images during the day and similar quality black and white images at night when used with IR lighting.

**HCGW48 WDR (Wide Dynamic Range)** is a processing technology that allows a CCTV camera to automatically adjust for different lighting conditions within the same frame. Each pixel of each frame is processed individually; that is, in shadowed areas the exposure is increased and in bright areas the exposure is decreased so that all the details in the scene are light-corrected in the image.

**HCGWD48 Wide Dynamic True Day/Night** combines the processing technology of the WDR cameras with the moving mechanical IR filter to ensure a precise picture in any lighting condition.

## PrimaView Series

### SPECIFICATIONS

Operational	
Video Standard	NTSC/PAL EIA/CCIR
Scanning System	2.1 Interlaced
Video Output	1.0 Vp-p Coax @ 75 Ohms 1.0 Vp-p UTP @ 100 Ohms
Sync System	12 VDC: Internal 24 VAC: External (Line Lock)
S/N Ratio	Better than 51 dB
Auto Gain Control	Off/on switch (4 – 26 dB max)
Automatic Electronic Shutter	1/60 - 1/100,000 (NTSC) 1/50 - 1/100,000 (PAL)
BLC	Center window weighted User- Selectable On/off switch
Electrical	
Input Voltage	24 VAC/ 15 VDC
Input Tolerance	17 – 28 VAC 11 – 16 VDC
Surge Suppression	1.5 kW transient
Power Consumption	4.5 W max (see table)

Environmental	
Temperature	Operating: -13°F to +122°F (-25°C to +50°C) Storage: -31°F to +140°F (-35°C to +60°C)
Relative Humidity	0 - 95% non condensing
Regulatory	
Emissions	FCC, CE (EN55013)* * except HEV29A
Immunity	CE (EN50130-4)
Safety	UL2044, EU:73/23/EEC LVD

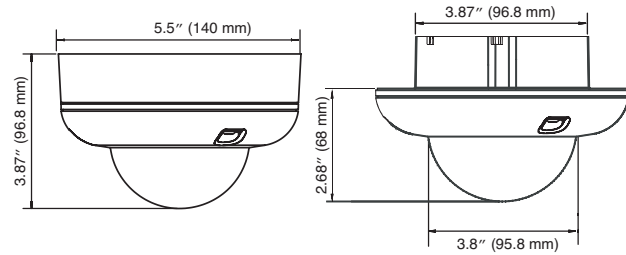
# PrimaView Series

www.honeywellvideo.com

## SPECIFICATIONS

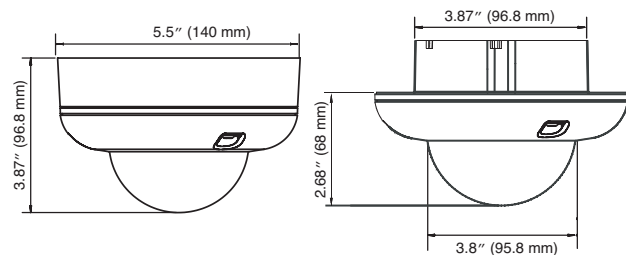
### HEC12

Mechanical	
Dimensions	See Line Drawing
Weight	1.75 lb (0.80 kg)
Construction	Housing: Polycarbonate (impact resistant and flame rated) Finish: Matte Dome: Hard coated polycarbonate (clear dome with insert)
Connectors	Coax Video Output: BNC Coax Power Input: Tinned leads UTP Video Output: Tinned leads UTP Power Input: 2.1 mm barrel



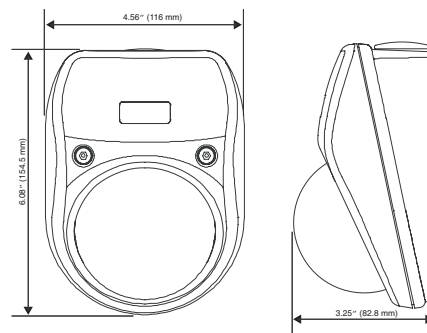
### HEC14

Mechanical	
Dimensions	See Line Drawing
Weight	2.0 lb (0.90 kg)
Construction	Housing: Polycarbonate (impact resistant and flame rated) Finish: Matte Dome: Hard coated polycarbonate (clear dome with insert)
Connectors	Coax Video Output: BNC Coax Power Input: Tinned leads UTP Video Output: Tinned leads UTP Power Input: 2.1 mm barrel



### HEV29A

Mechanical	
Dimensions	See Line Drawing
Weight	1.5 lb (0.68 kg)
Construction	Housing: Polycarbonate (impact resistant and flame rated) Finish: Matte Dome: Hard coated polycarbonate (clear dome with insert)
Connectors	Coax Video Output: BNC Coax Power Input: Tinned leads UTP Video Output: Tinned leads UTP Power Input: 2.1 mm barrel



## PrimaView Series

### SPECIFICATIONS

#### Fixed

Operational	
Type	Fixed Focal Length
Image Format	1/3"
Lens Mount	M12 x 0.5 mm threaded
Mechanical	
Dimensions	1.78" x .79" (45.2 mm x 18.8 mm)
Weight	.11 lb (.05 kg)
Construction	Finish: Black plastic

Field of View						
Lens	HLQ029	HLQ036	HLQ060	HLQ080	HLQ120	HLQ160
Focal Length	2.9 mm	3.6 mm	6.0 mm	8.0 mm	12.0 mm	16.0 mm
Angle Of View	H	90°	74°	42°	32°	22°
	V	67°	55°	32°	24°	17°

#### Vari-Focal Auto Iris

Operational	
Type	Fixed Focal Length
Image Format	1/3"
Lens Mount	M13 x 1.0 mm threaded
Mechanical	
Dimensions	1.77" x 1.09" (44.84 mm x 27.61 mm)
Weight	.16 lb (.07 kg)
Construction	Finish: composite metal and plastic

Field of View			
Lens	HLQAV1	HLQAV2	HLQAV3
Focal Length	2.6-6 mm	4.0-9.0 mm	9.0-22.0 mm
Angle Of View	Wide	99.8°-48.1°	68.0°-32.1°
	Tele	75.3°-36.2°	50.2°-24.1°
Iris Range	Auto F1.4	Auto F1.5	Auto F2.0
Iris Control	Auto	Auto	Auto

Note: Light sensitivity based on Vari-focal Auto Iris lens and clear dome

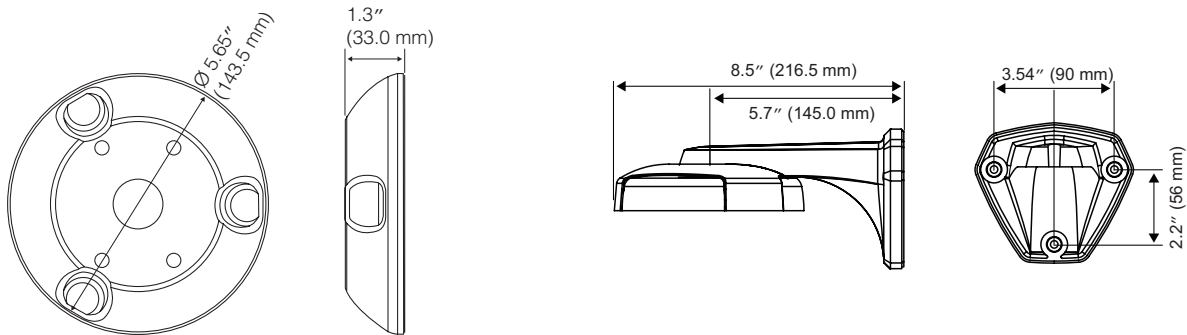
# PrimaView Series

www.honeywellvideo.com

## ORDERING

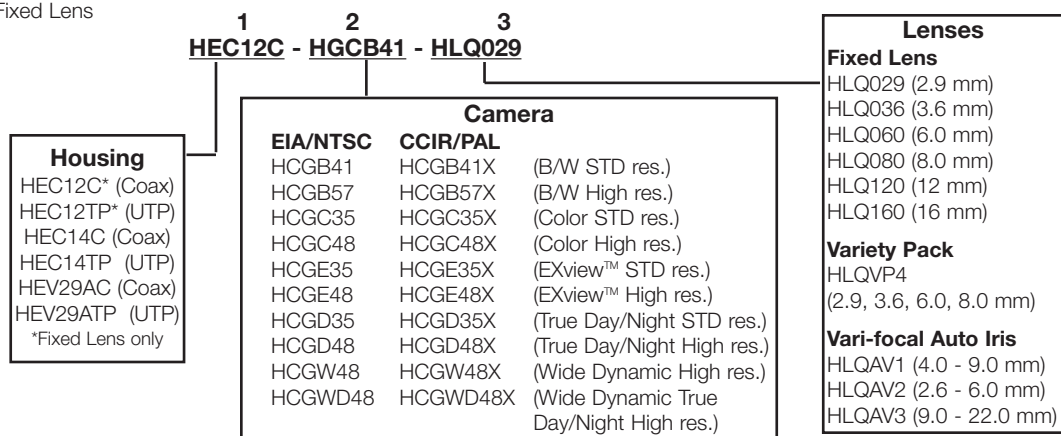
Replacement Parts	
<b>Domes</b>	
DRK2.0	Clear Dome for HEV29A, HEV12 only
DRK3.0	Half tint dome for HEV29A, HEV12 only
DRK2.2	Clear Dome for PrimaView Series
DRK3.2	Half tint dome for PrimaView Series
<b>Tamper Proof Screws</b>	
TPS-8	60 screws and 1 key for HEV28F, HEV28G and HEV28P housing
TPS-10	60 screws and 1 key for HEV28R, HEV28RM, HEV28S and HEV28SM housing

Accessories			
<b>Mounts</b>			
HEC12/C14-PKT	Pendant Mount kit for HEV28R housing		
HEC12/C14-WKT	Wall Mount kit for the HEV28R		
<b>Transformers</b>			
HPT2420	24 VAC, 20 VA Class 2 plug-in with thermal cut-out		
HPT12DC500	12 VDC, 500 mA plug-in regulated 2.1 mm coaxial plug UL Listed/CSA Certified		
<b>Power Supplies</b>			
UL Listed	Fused	Smart Fused	Description
HPTV2404UL	HPTV2404	HPTV2404CB	4 A, 4 Output
HPTV2408UL	HPTV2408	HPTV2408CB	4 A, 8 Output
HPTV2416UL	HPTV2416	HPTV2416CB	8 A, 16 Output



## Ordering

1. PrimaView Housing
2. Black and white standard resolution, EIA/NTSC Camera
3. 2.9 mm Fixed Lens



**NOTE:** Honeywell reserves the right, without notification, to make changes in product design or specifications.

## Honeywell Security

Honeywell Video Systems  
 2700 Blankenbaker Pkwy, Suite 150  
 Louisville, KY 40299  
 1.800.796.CCTV  
 www.honeywell.com

L/PRMVIEWD/D  
 March 2008  
 © 2008 Honeywell International Inc.

# Honeywell