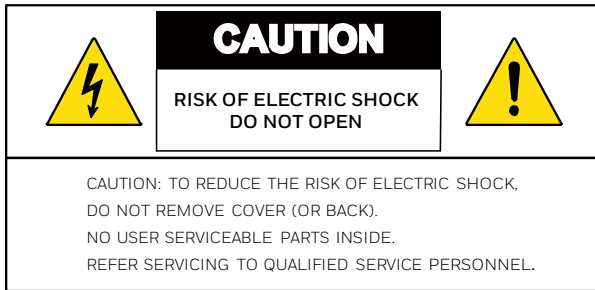


Performance Series HQA HDP302DQI 1080p IR PTZ Dome Camera

Quick Start Guide

Cautions and Warnings



WARNING Installation and servicing should be performed only by qualified and experienced technicians to conform to all local codes and to maintain your warranty.

WARNING To ensure compliance with electrical safety standards, CSA Certified/UL Listed Class 2 power adaptors are required.

WARNING IR emitted from this product. Do not view directly with optical instruments (magnifiers). Do not stare directly into the lamp at a distance of less than 3.3 ft (1 m).

FCC Statement of Compliance

Information to the User: This equipment has been tested and found to comply with the limits for a Class A digital device, pursuant to part 15 of the FCC Rules. These limits are designed to provide reasonable protection against harmful interference when the equipment is operated in a commercial environment. This equipment generates, uses, and can radiate radio frequency energy and, if not installed and used in accordance with the instruction manual, may cause harmful interference to radio communications. Operation of this equipment in a residential area is likely to cause harmful interference in which case the user will be required to correct the interference at his own expense.

Note: Changes or modifications not expressly approved by the party responsible for compliance could void the user's authority to operate the equipment.

This Class A digital apparatus complies with Canadian ICES-003.

Cet appareil numérique de la Classe A est conforme à la norme NMB-003 du Canada.

Manufacturer's Declaration of Conformance

The manufacturer declares that the equipment supplied with this guide is compliant with the European Parliament and Council Directive on the Restrictions of the use of certain Hazardous Substances in electrical and electronic equipment (2011/65/EU), General Product Safety Directive (2001/95/EC) and the essential requirements of the EMC Directive (2014/30/EU), conforming to the requirements of standards EN 55022 for emissions, EN 50130-4 for immunity, and EN 60950-1 for electrical equipment safety.

CAUTION This is a Class A product. In a domestic environment this product may cause radio interference in which case the user may be required to take adequate measures.

WARNING To comply with EN50130-4 requirements, a UPS should be employed when powering the camera from 24 VAC.

Waste Electrical and Electronic Equipment (WEEE)



Correct Disposal of this Product (applicable in the European Union and other European countries with separate collection systems).

This product should be disposed of, at the end of its useful life, as per applicable local laws, regulations, and procedures.

Safety Instructions

Before installing or operating the unit, read and follow all instructions. After installation, retain the safety and operating instructions for future reference.







- HEED WARNINGS** - Adhere to all warnings on the unit and in the operating instructions.
- INSTALLATION**
 - Install in accordance with the manufacturer's instructions.
 - Installation and servicing should be performed only by qualified and experienced technicians to conform to all local codes and to maintain your warranty.
 - Do not install indoor rated models in outdoor locations.
 - Any wall or ceiling mounting of the product should follow the manufacturer's instructions and use a mounting kit approved or recommended by the manufacturer.
- POWER SOURCES** - This product should be operated only from the type of power source indicated on the marking label.
- HEAT** - Situate away from items that produce heat or are heat sources such as radiators, heat registers, stoves, or other products (including amplifiers).
- MOUNTING SYSTEM** - Use only with a mounting system recommended by the manufacturer, or sold with the product.
- ATTACHMENTS** - Do not use attachments not recommended by the product manufacturer as they may result in the risk of fire, electric shock, or injury to persons.

- ACCESSORIES** - Only use accessories specified by the manufacturer.
- CLEANING** - Do not use liquid cleaners or aerosol cleaners. Use a damp cloth for cleaning.
- SERVICING** - Do not attempt to service this unit yourself as opening or removing covers may expose you to dangerous voltage or other hazards. Refer all servicing to qualified service personnel.
- REPLACEMENT PARTS** - When replacement parts are required, be sure the service technician has used replacement parts specified by the manufacturer or have the same characteristics as the original part. Unauthorized substitutions may result in fire, electric shock or other hazards. Using replacement parts or accessories other than the original manufacturers may invalidate the warranty.

CAUTION Risk of explosion if Battery is replaced by an incorrect type. Dispose of used batteries in accordance with local laws.

Before You Begin

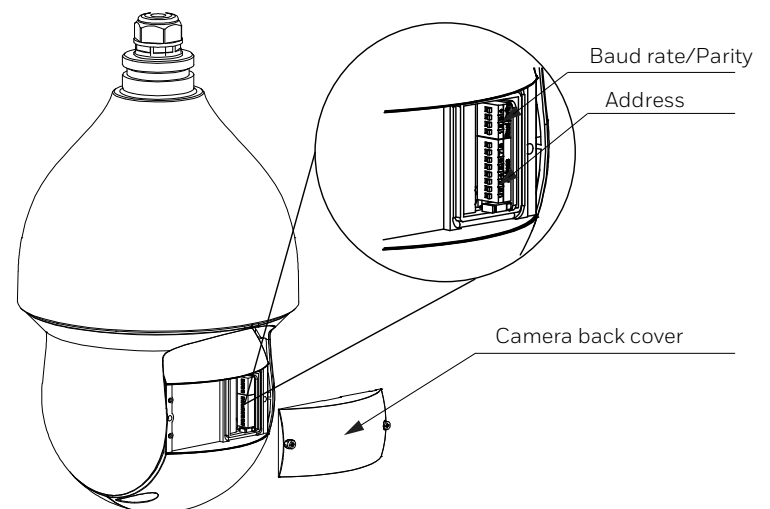
Open the box and check:

Module	Accessories				
 HDP302DQI	 Wall Mount	 Pendent Adaptor	 Wrench	 Waterproof Tape	 Quick Start Guide

Note: Rotate and remove the protective cover bag and tape from the camera body before the installation.

Dip Switches

Take a minute to familiarize yourself with the camera's switches, as shown in the figures below. When setting the dip switches for either the address setting, baud rate setting, or parity check, use the following ON/OFF positions as a reference:



Switch is Set to ON



Switch is Set to OFF

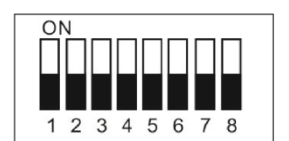


Means switches 1, 2, and 3 are set to ON, and switch 4 is set to OFF.

Please note the intelligent speed dome can self-adapt PELCO-D, PELCO-P and industrial standard protocol. The control protocol doesn't have to be set via the dip switches.

Address Setting

Assign an Address number to a Performance Series PTZ dome camera if there is more than one camera in the same network. The camera's Address can be set by using the 8-bit Address dip switch, which is located on the camera body's back as shown in the figure above. If the camera's Address number is 6, for example, the Address switches SW2 and SW3 should be set to ON, and the rest should be set to OFF (see the Address numbering table below). Address numbers 0-8, 254 and 255 are listed in the table below.



Note: Cameras in the same network should not be given with the same camera Address. Otherwise, a communication conflict error may occur.

Address	1	2	3	4	5	6	7	8
0	OFF	OFF	OFF	OFF	OFF	OFF	OFF	OFF
1	ON	OFF	OFF	OFF	OFF	OFF	OFF	OFF
2	OFF	ON	OFF	OFF	OFF	OFF	OFF	OFF
3	ON	ON	OFF	OFF	OFF	OFF	OFF	OFF
4	OFF	OFF	ON	OFF	OFF	OFF	OFF	OFF
5	ON	OFF	ON	OFF	OFF	OFF	OFF	OFF
6	OFF	ON	ON	OFF	OFF	OFF	OFF	OFF
7	ON	ON	ON	OFF	OFF	OFF	OFF	OFF
8	OFF	OFF	OFF	ON	OFF	OFF	OFF	OFF
.....							
254	OFF	ON	ON	ON	ON	ON	ON	ON
255	ON	ON	ON	ON	ON	ON	ON	ON

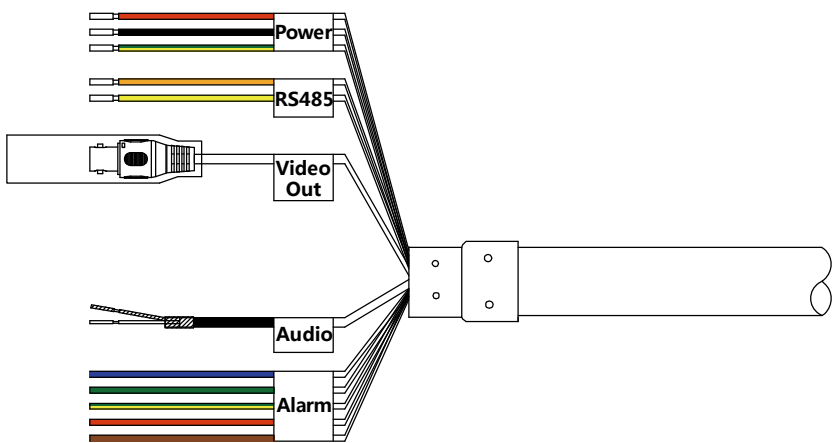
Baud Rate and Parity Setup

From Baud/Parity dip switches 1~4, 1 and 2 set the baud rate. Switches 3 and 4 set the parity.

1	2	Baud rate
OFF	OFF	9600bps
ON	OFF	4800bps
OFF	ON	2400bps
ON	ON	1200bps

3	4	Parity
OFF	OFF	NONE
ON	OFF	EVEN
OFF	ON	ODD
ON	ON	NONE

Cable Connections



Power	Red	AC24V
	Black	AC24V
	Yellow & Green	Earth
RS485	Yellow	A+
	Orange	B-
Video Out	BNC	
Audio	White	Audio IN
	Black	Audio GND
Alarm	Blue	Alarm OUT 1
	Green	Alarm COM1
	Red	Alarm IN1
	Brown	Alarm IN2
	Yellow & Green	Alarm GND

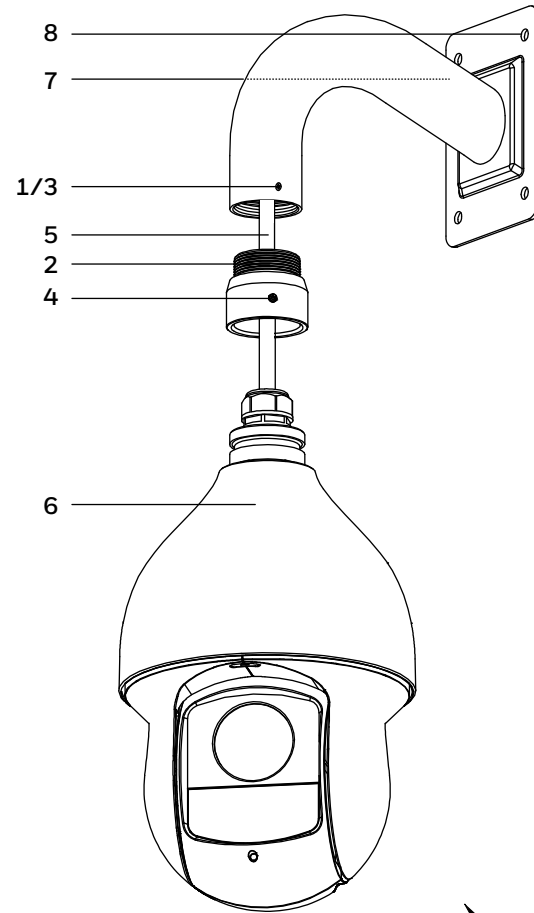
Note: If you are using Honeywell Performance Series DVR (HRHHXXXX/HRHMXXXX) and the HQA Protocol is selected, the PTZ can be directly controlled via the BNC cable.

Installing a Wall Mount

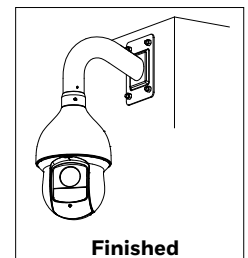
The wall mount weighs 1.08 lb (0.49 kg) and can be installed directly to a load-bearing wall, or to a corner or pole using an appropriate adaptor.

Important Notes:

Ensure that the mounting surface can support 3x the combined weight of the camera and the mount (at least 27.72 lb/12.57 kg).



1. Loosen the mount locking screw.
2. Screw the adaptor to the mount.
3. Tighten the mount locking screw.
4. Loosen the three locking screws on the adaptor.
5. Feed the camera cables through the mount.
6. Attach the camera body to the adaptor and tighten the three locking screws to secure the camera body to the mount.
7. Make connections of the camera cables with the cables fed through the wall.
8. Attach the mount to the wall using appropriate hardware.



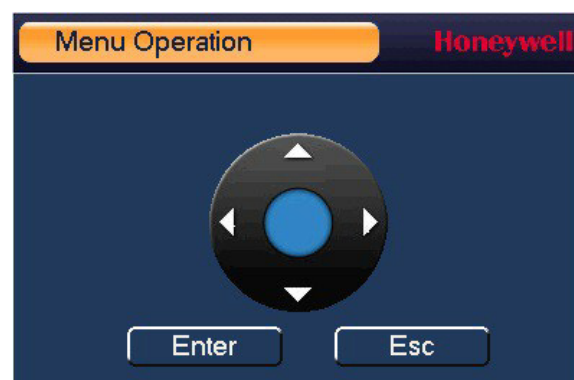
Configuring the PTZ Dome Camera

When the camera is connected to a Performance Series HQA DVR, you can configure the camera's settings using the camera's on-screen display (OSD) menu.

Note: The DVR's PTZ protocol must be set to HQA for up-the-coax control of the OSD menu.

To configure the camera settings

1. Verify that the camera is connected to the DVR.
2. Log on to the DVR as the admin user. The default user name is **admin** (case-sensitive) and the default password is **1234**.
3. Right-click to display the shortcut menu, and then click **Camera Menu**. A dedicated menu operation interface appears.



4. Click **Enter** to display the camera's OSD menu.
5. To configure the camera, click the up or down arrows to move through the menu list, click the left or right arrows to change a menu setting, or click **Enter** to enter a submenu (↵) or execute a command.
6. After you have configured the camera, right-click to exit the menu operation interface.

OSD Menu Tree

1 st Level		2 nd Level		3 rd Level		4 th Level			
SYSTEM SETTING	←	SYSTEM INFORMATION	←	ADDR	←	ADDR TYPE	SOFTWARE/ HARDWARE		
				BR		ADDR-HARD			
				PARITY		ADDR-SOFT	0-255		
				VERSION		SAVE			
				CAM VER					
		ADD INFORMATION							
		SET NORTH							
LANGUAGE									
FACTORY DEFAULT									
RESTART									
DISPLAY SETTING	←	PRESET TITLE	ON/OFF						
		AZIMUTH DISP	ON/OFF						
		POSITION	ON/OFF						
		ZOOM DISP	ON/OFF						
		INSIDE TEMP	OFF/°F/°C						
		ALARM DISP	ON/OFF						
PATTERN DISP	ON/OFF								
CAMERA SETTING	←	WB SETTING	←	WB MODE	OUTDOOR/INDOOR/OUTDOOR AUTO/ NA LAMP AUTO/NA LAMP/NATURAL/ AUTO/MANUAL/ATW				
				R GAIN	0-100				
				B GAIN	0-100				
		EXPOSURE SETTING	←			AE MODE	AUTO/MANUAL/IRIS PRIO/SHUT PRIO		
						GAIN SETTING	1-16		
						SHUTTER	1/3, 1/6, 1/12, 1/25, 1/50, 1/75, 1/100, 1/120, 1/150, 1/215, 1/300, 1/425, 1/600, 1/1000, 1/1250, 1/1750, 1/2500, 1/3500, 1/6000, 1/10000, 1/30000		
						IRIS SETTING	1-18		
						EXPOSURE COMP	1-15		
						BLC	ON/OFF		
						NR	OFF/1-16		
						CAMERA 3D NR	OFF/1-16		
						HIGH LIGHT REDUCE	OFF/1-4		
						AE RECOVERY	OFF/5M/15M/30M/1H/2H		
		WDR SETTING	←	WDR MODE	ON/OFF				
		DAY/NIGHT SETTING	←			DAY/NIGHT	LIGHT/NIGHT/DAY/AUTO		
						SENSITIVITY	HIGH/MID/LOW		
		FOCUS SETTING	←			FOCUS MODE	AUTO/MANUAL/SEMIAUTO		
						FOCUS LIMIT	AUTO/10CM/1M/2M/3M/5M		
						AF SENSITIVITY	HIGH/MID/LOW		
						IR CORRECTION	ON/OFF/AUTO		
		IMAGE ADJUST	←			BRIGHTNESS	0-100		
						SATURATION	0-100		
						CHROMA SUPPRESS	1-4		
						GAMMA	1-16		
						CONTRAST	0-100		
						STYLE	SOFT/NATURAL/STANDARD		
		DEFOG SETTING	←			DEFOG MODE	OFF/MANUAL/AUTO		
						INTENSITY	1-3		
		ZOOM SPEED	1-8						
		APERTURE	1-16						
		APERTURE RESTRAIN	1-16						
		DIGITAL ZOOM	ON/OFF						
PICTURE FLIP	ON/OFF								
LENS INIT									
PICTURE MODE	1080P/25, 1080P/30, 720P/25, 720P/30, 720P/50, 720P/60								
CAMERA FACTORY DEFAULT									
CAMERA RESTART									
FUNCTION SETTING	←	PRESET	←	PRESET NO	1-300				
				TITLE					
				SETTING					
				CALL					
		AUTO PAN	←			PAN SPEED	1-8		
						RUN			
						STOP			
		AUTO SCAN	←			AUTO SCAN NO	1-5		
						SET LEFT LIMIT			
						SET RIGHT LIMIT			
						SCAN SPEED	1-8		
						CALL			
		TOUR	←			TOUR NO	1-8		
						SETTING	←		
						DELETE			
						CALL			
		PATTERN	←			STOP			
						PATTERN NO	1-5		
						PROGRAM START			
						PROGRAM STOP			
IDLE MOTION	←			CALL					
				STOP					
				IDLE FUNCTION	ON/OFF				
				IDLE TIME	1MIN-720MIN				
IDLE ACTION	NONE/PRESET/SCAN/TOUR/PATTERN								
PARAMETER									

		PRIVACY MASKING	←	PRIVACY NO	1-24			
				ACTIVATE	ON/OFF			
				SETTING	←		RESIZE	
		PTZ SPEED	1-3				SAVE	
		SET ZERO	←					
		POWER UP	←	POWER UP	AUTO/SCAN/PRESET/PATTERN/TOUR/ NONE			
				PARAMETER				
		MENU PASSWORD	←	PASSWORD				
				SETTING				
		MENU IDLE	OFF/1MIN-5MIN					
		PTZ AUTO STOP	OFF/5S/10S/15S/20S/25S/ 30S					
		PTZ CORRECTION	ON/OFF					
ALARM SETTING	←	ALARM NO	1 / 2					
		ACTION	NONE/PRESET/SCAN/TOUR					
		PARAMETER						
		CONTACT	N/O, N/C					
		RELAY OUT	OFF/1-5S					
		RESET DELAY	3S/10S/30S/60S/120S					
		SAVE						
IR LIGHT SETTING	←	IR SENSITIVITY	1-6					
		IR LIGHT CTRL	MANUAL/ZOOM PRIO					
		NEAR LIGHT	OFF/5/10/15/20/25/30/35/ 40/45/50/55					
		FAR LIGHT	OFF/5/10/15/20/25/30/35/ 40/45					
		IR LIGHT COMP	1-5					
EXIT								

Honeywell Security Products Americas (Head Office)
2700 Blankenbaker Pkwy, Suite 150
Louisville, KY 40299, USA
www.honeywell.com/security
☎ +1 800 323 4576

Honeywell Security Northern Europe
Ampèrestraat 41
1446 TR Purmerend, The Netherlands
www.honeywell.com/security/nl
☎ +31 (0) 299 410 200

Honeywell Security Europe/South Africa
Aston Fields Road, Whitehouse Industrial
Estate
Runcorn, WA7 3DL, United Kingdom
www.honeywell.com/security/uk
☎ +44 (0) 1928 754 028

Honeywell Security Deutschland
Johannes-Mauthe-Straße 14
72458 Albstadt, Germany
www.honeywell.com/security/de
☎ +49 (0) 7431 801-0

**Honeywell Security Products Americas
Caribbean/Latin America**
9315 NW 112th Ave. Miami, FL
33178, USA
www.honeywell.com/security/clar
☎ +1 305 805 8188

Honeywell Security France
Immeuble Lavoisier
Parc de Haute Technologie
3-7 rue Georges Besse
92160 Antony, France
www.honeywell.com/security/fr
☎ +33 (0) 1 40 96 20 50

Honeywell Security Asia Pacific
35F Tower A, City Center, 100 Zun Yi Road
Shanghai 200051, China
www.asia.security.honeywell.com
☎ +86 21 2219 6888

Honeywell Security Italia SpA
Via della Resistenza 53/59
20090 Buccinasco, Milan, Italy
www.honeywell.com/security/it
☎ +39 (0) 2 4888 051

Honeywell Security Middle East/N. Africa
Emaar Business Park, Sheikh Zayed Road
Building No. 2, Office No. 301
Post Office Box 232362
Dubai, United Arab Emirates
www.honeywell.com/security/me
☎ +971 (0) 4 450 5800

Honeywell Security España
Avenida de Italia, nº 7, 2a planta
C.T. Coslada
28821 Coslada, Madrid, Spain
www.honeywell.com/security/es
☎ +34 902 667 800

Honeywell Security Россия и СНГ
121059 Moscow, Ul, Kiev 7
Russia
www.honeywell.com/security/ru
☎ +7 (495) 797-93-71

Honeywell

www.honeywell.com/security
+1 800 323 4576 (North America only)
<https://www.honeywellsystems.com/ss/techsupp/index.html>

Document 800-22331 – Rev A – 08/2016

© 2016 Honeywell International Inc. All rights reserved. No part of this publication may be reproduced by any means without written permission from Honeywell. The information in this publication is believed to be accurate in all respects. However, Honeywell cannot assume responsibility for any consequences resulting from the use thereof. The information contained herein is subject to change without notice. Revisions or new editions to this publication may be issued to incorporate such changes. For patent information, see www.honeywell.com/patents.