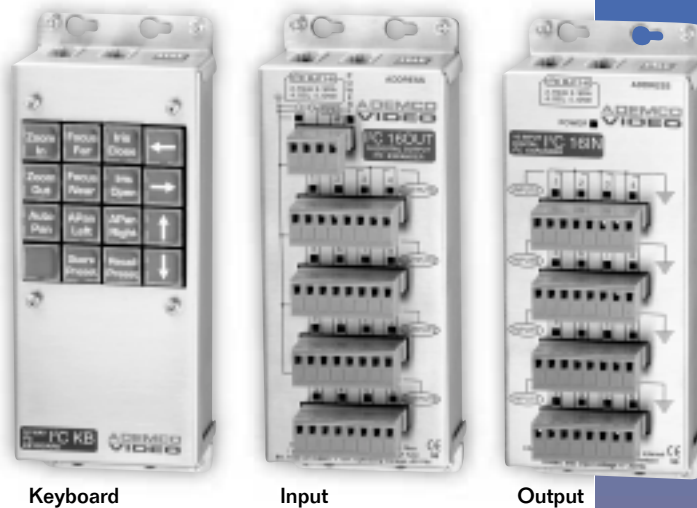


# Alarm Input and Output Expander Modules

Video BloX

VideoBloX monitors alarm inputs and can control outputs for use in a variety of security applications. Alarm inputs are used to trigger the powerful Sequence Engine – providing application specific functions and control outputs may be connected to a variety of devices



Keyboard

Input

Output

to be controlled by the sequence engine.

The standard VideoBloX is provided with 32 alarm inputs and four control outputs on the alarm terminal panel, connected to the CPU by a simple ribbon cable connector. This capacity can be increased using I<sup>2</sup>C modules. These are named after a communications standard that is used in many similar applications. I<sup>2</sup>C modules may be remotely installed at distances up to 4,000 feet, using Protocol Interface Translators (PITs) as alarm concentrators. This capability allows for flexibility in design, resulting in cost savings by reducing installation wiring and labor.

I<sup>2</sup>C

## FEATURES:

- Manufactured from stainless steel
- May be remotely located from the VideoBloX chassis
- Removable terminal blocks
- Expands system capacity: 256 alarm inputs and 256 control outputs

# Alarm Input and Output Expander Modules

## FEATURES:

### I<sup>2</sup>C Alarm Input Module

Allows for the connection of up to 16 potential free inputs – simple normally open/normally closed devices. Diagnostic LED for each input shows the input state.

### I<sup>2</sup>C Control Output Module

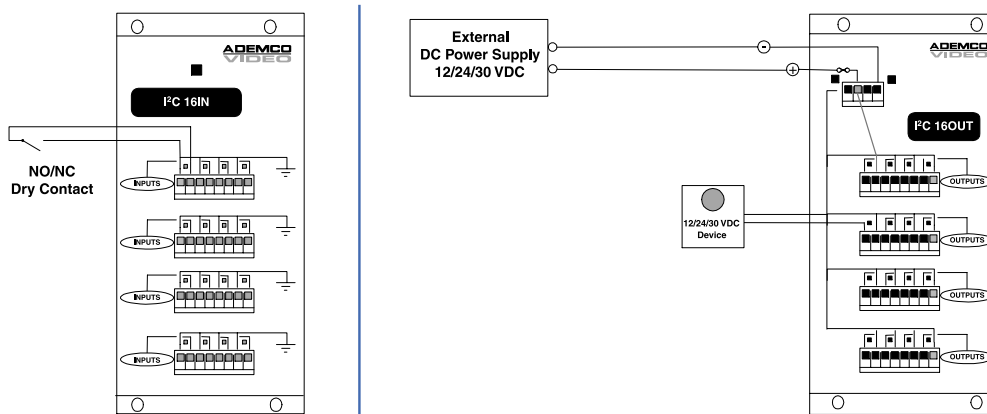
The Output module uses power FET devices and provides the capability of switching up to 16 DC low-power devices such as LEDs. Connection of an external power supply enables switching of heavier loads.

### I<sup>2</sup>C Keyboard Module

This useful module provides a remote keyboard. It has 16 keys and 16 corresponding LEDs. The keys act as inputs to trigger the sequence engine and can be used for remote control of lighting, electrically controlled doors, simple manual switching and other applications. The LEDs are outputs and can be used to provide feed back of the function being performed.

## SPECIFICATIONS:

- I<sup>2</sup>C Dimensions:
  - Height: 7.5"
  - Width: 3.0"
  - Depth: 1.75" (over Terminal Block)
- Power Requirements: 5 VDC
- Typical current consumption:
  - Input Module (all LEDs On): 60 mA
  - Output Module (all LEDs On): 63mA
  - Keyboard Module (all LEDs On): 82mA
- Operating Temperature: -10° to 50° C
- Storage Temperature: -20° to 65° C
- Humidity: 0 to 95% non-condensing



## ORDERING:

**Part No. Description**

### I<sup>2</sup>C Modules

AVBI2C16I	Input Module – providing 16 potential free inputs
AVBI2C16O	Output Module – providing 16 FET outputs
AVBI2C16KB	Keyboard Module – providing 16 inputs and 16 LED outputs

### Accessories

AVBPITMTNG	Stainless steel faceplate for mounting in standard 19" rack – with cutouts for mounting 5 PITs or I <sup>2</sup> C modules. Height is 6U.
AVBBLXMTNG	Stainless steel faceplate for mounting in standard 19" rack – with cutouts for mounting alarm terminal panel and 3 PITs or I <sup>2</sup> C modules. Height is 6U.

I<sup>2</sup>C

### ADEMCO VIDEO

Sales . . . . .800-467-5875  
 Applications . . . . .877-653-0302  
 Technical Support . .800-645-7492  
 Fax . . . . .516-921-0491  
 Web site: www.ademcovideo.com

171 Eileen Way, Syosset, NY 11791

Copyright ©2002 Pittway Corporation