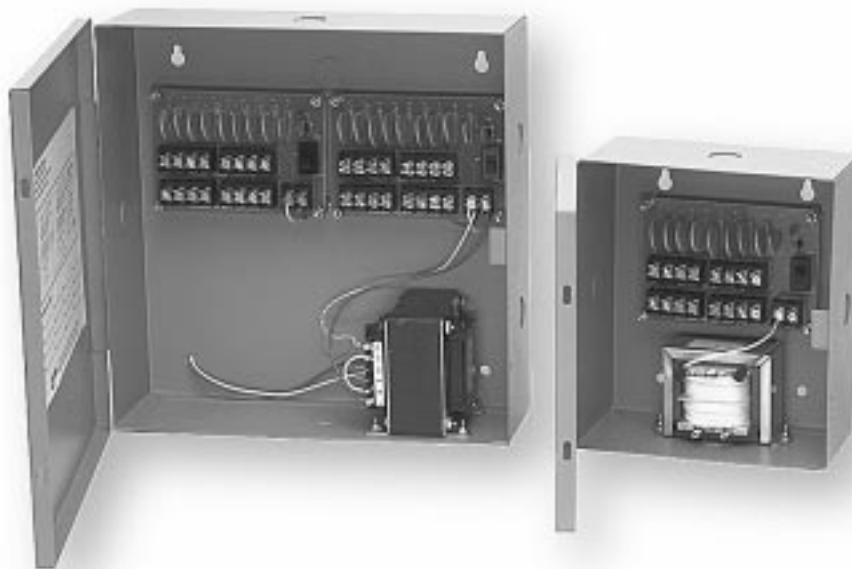


# KZ0424AW, KZ0824AW, KZ1624AW

**CCTV POWER SUPPLIES**



Ultrak's KZ0424AW, KZ0824AW and KZ1624AW series CCTV power supplies take the lead in power supplies by using self resetting fuse technology. This technology provides isolated outputs without having to worry about blown fuses due to surges. In addition, these new power supplies have their own built-in surge suppression designed not to pass transients to your cameras.

These new power supplies provide 24V ac to four, eight or sixteen outputs. Completely isolated versions are available with individual transformers for each output. Supervised versions are also available with an individual L.E.D. indicator per output and system relay output indicating power fail. For more strict specifications, UL listed versions are available. An On/Off switch and power L.E.D. simplify installation and service.

The cabinet for these power supplies has plenty of room to handle all wiring requirements.

- Fuseless isolation for each camera
- Entire unit fused
- Transient protection on input
- Version to power camera/heater/blower
- UL versions available
- Supervised versions available
- Isolated transformer versions available
- On/Off switch and L.E.D. indicator for ac power
- Large metal cabinet and 6' line cord for easy installation
- Interconnect label for easy servicing
- 2-year limited warranty



# KZ0424AW, KZ0824AW, KZ1624AW

## TECHNICAL SPECIFICATIONS

Models	Outputs	Fuseless	ULC	Isolated	Max/Channel	Total Current	Fused	Surge	L.F.D.	Pwr. Switch
KZ0424AW	4	X			1.5 AMP	2 AMP	3 AMP	X	X	X
KZ0428AEHW	8	X			4@.85 AMP 4@3AMP	10 AMP	10 AMP	X	X	X
KZ0424AI	4	X		X	.4 AMP	2 AMP	2 AMP	X	X	X
KZ0424ASU	4	X	X		3.0 AMP	10 AMP	10 AMP	X	INDIV.	INDIV.
KZ0424AUL	4	X	X		1.85 AMP	3.5 AMP	3.5 AMP	X	X	X
KZ0824AW	8	X			1.85 AMP	4 AMP	5 AMP	X	X	X
KZ0824AI	8	X	X	X	.4 AMP	3.2 AMP	3.2 AMP	X	X.	X
KZ0824ASU	8	X	X		.85 AMP	3.5 AMP	3.5 AMP	X	INDIV.	INDIV.
KZ0824AUL	8	X	X		1.85 AMP	3.5 AMP	3.5 AMP	X	X	X
KZ1624AW	16	X			1.85 AMP	7 AMP	5 AMP X 2	X	X	X
KZ1624AUL	16	X			1.1	35AMP X 2	35AMP X 2	X	X	X

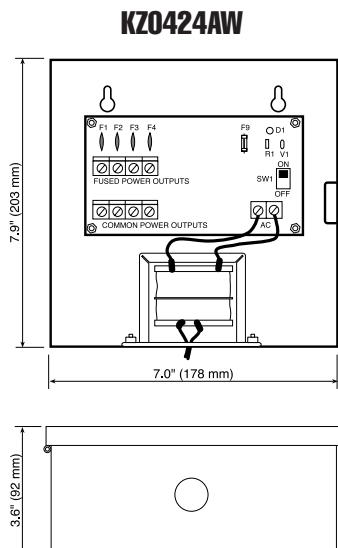
### ELECTRICAL

Input Voltage	110V ac
Output Voltage	24V ac
Surge Protection:	
Clamping Voltage	68V RMS
Response Time	8ns typically
Energy Rating	.7 Joules
Current Output	See table above
Unit Fuse Protection	See table above
Line Cord:	6 ft., 2 prong (non-UL) 6 ft., 3 prong (UL)

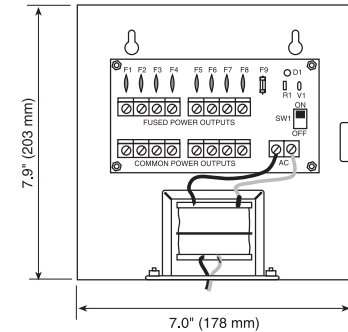
### GENERAL

Construction	Metal chassis
Dimensions	See table above
Weight	See table above

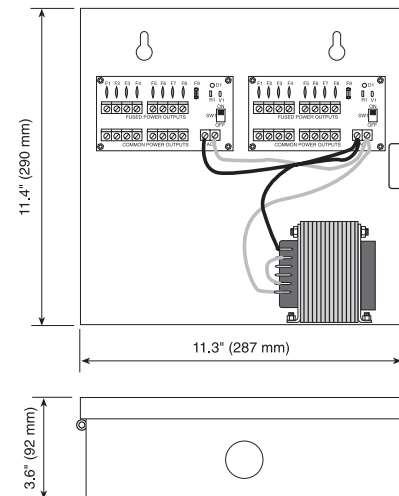
Design and specifications are subject to change without notice.



### KZ0824AW



### KZ1624AW



Conversion: 1" = 25.4 mm  
Measurement conversions are approximate

Design and specifications subject to change without notice.

Conversion: 1" = 25.4mm  
Measurement conversions are approximate

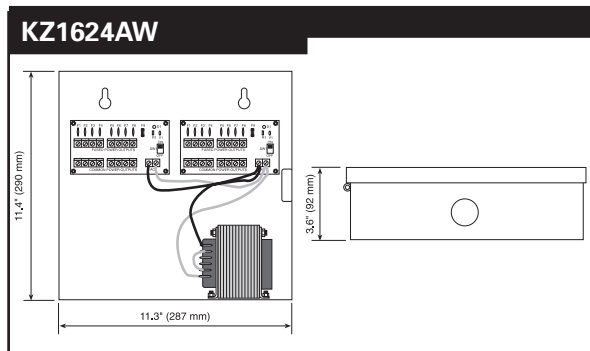
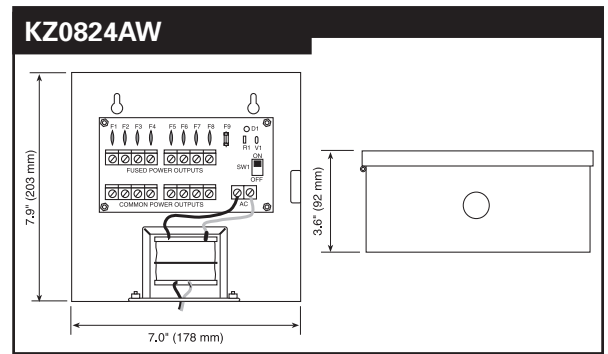
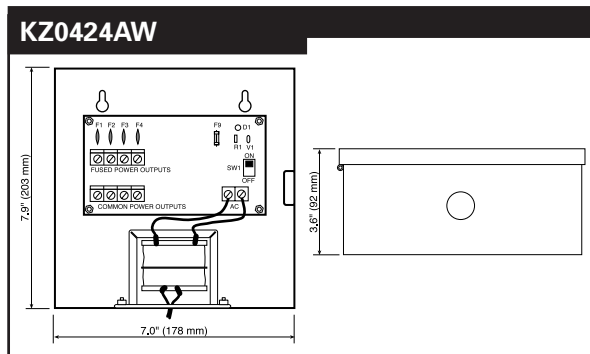
#### Ultrak Worldwide Support Center:

1301 Waters Ridge Drive  
Lewisville, TX 75057  
(800) 796-2288 (972) 353-6500  
Fax (972) 353-6670



www.ultrak.com

## Power Supplies - Mechanical Drawings



## Power Supplies - Specification Table

The table below describes the inputs, outputs and other important characteristics of Ultrak's power supplies.

**Power Supplies Specification Table**

Model	Outputs	Fuseless	UL Certified	Isolated	Max. Current per Channel	Max. Current per Unit	Unit Fused	Surge Protection	L.E.D.	Unit Pwr. Switch
KZ0424AW	4	✓			1.5A	2.0A	3.0A	✓	✓	✓
KZ0428AEHW	8	✓	✓		4.0 @ 0.85A 4.0 @ 3A	10.0A	10.0A	✓	✓	✓
KZ0424AI	4	✓		✓	0.4A	2.0A	2.0A	✓	✓	✓
KZ0424ASU	4	✓	✓		3.0A	10.0A	10.0A	✓	Individual	Individual
KZ0424AUL	4	✓	✓		1.85A	3.5A	3.5A	✓	✓	✓
KZ0824AW	8	✓			1.85A	4.0A	5.0A	✓	✓	✓
KZ0824AI	8	✓	✓	✓	0.4A	3.2A	3.2A	✓	✓	✓
KZ0824ASU	8	✓	✓		0.85A	3.5A	3.5A	✓	Individual	Individual
KZ0824AUL	8	✓	✓		1.85A	3.5A	3.5A	✓	✓	✓
KZ1624AW	16	✓			1.85A	7.0A	5.0A x 2	✓	✓	✓
KZ1624AUL	16	✓			1.1A	3.5A x 2	3.5A x 4	✓	✓	✓

- 1) "Isolated" means that there is an individual transformer for each output.
- 2) "Individual" L.E.D. indicates that each output is supervised.
- 3) KZ0428EHW has 4 outputs for cameras and 4 outputs for heater/blowers.
- 4) Only UL power supplies are unit fused with a standard glass fuse. All others are unit fused with an automatic protection device.

