

HCD80 SERIES

HIGH AND STANDARD RESOLUTION, TRUE DAY/NIGHT COLOR BULLET CAMERA

The HCD80 Series offers great functionality and superior picture quality around the clock when accompanied by external IR illumination. This discreet, bullet-style camera is perfect for architecturally sensitive applications. Catch all the action 24-hours a day using the True Day/Night camera. When the ambient light drops below a certain point, a mechanical filter within the camera switches and the camera changes from color to black and white.

The sleek, futuristic bullet styling is visually appealing, yet impact resistant. The attractive, polished machined aluminum enclosure comes with a protective sunhood. The HCD80 Series is designed with a clear flat viewing window to provide better picture quality.

The HCD80 is more secure than a box camera. It is difficult to knock out of position with its ball and socket design. Swivel the camera into place, then lock it down with the tamper resistant screws. This camera also boasts a discreet, track mount installation using locking security screws and concealed wiring so the wires cannot be cut or the camera tampered with or disconnected.

For easy installation, indoors or out, the HCD80 Series mounts in minutes to a wall or ceiling. A metal mounting plate provides ease of installation onto electrical boxes.

Market Opportunities

The Honeywell HCD80 Series is designed for cost effective, high resolution 24/7 surveillance applications that have changing light conditions through the day. This includes general indoor and outdoor surveillance applications in banking, retail, offices, hotels, bars, restaurants, parking garages, playgrounds, commercial buildings, warehouses, industrial and manufacturing sites, schools, universities, and day care centers.

Features

- Discreet, bullet-style camera with switchable IR cut filter
- Impact and tamper resistant
- 4.0 – 9.0 mm Vari-focal Auto Iris lens built-in
- Easy to install
- Flexible mounting options
- Wall or ceiling mount
- Available in 480 TVL and 350 TVL versions
- Polished aluminum enclosure with protective sunhood
- Standard line lock in 24 VAC operation
- One power connection self-configures to 12 VDC or 24 VAC with transient surge protection



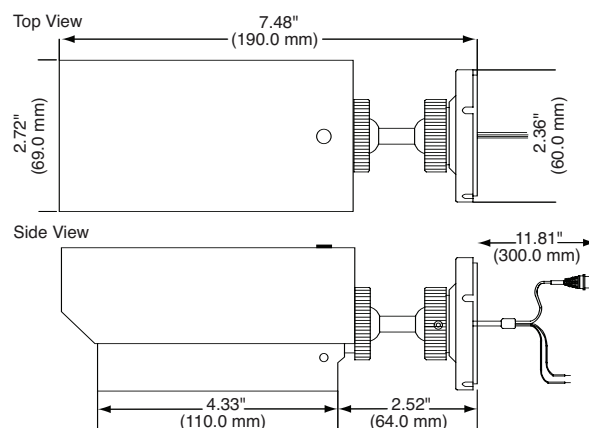
HCD80 SERIES

www.honeywellvideo.com

SPECIFICATIONS

Operational	
Video Standard	NTSC/PAL
Scanning System	525/60 lines (NTSC) 625/50 lines (PAL)
Image Sensor	1/3" CCD
Number of Pixels (H x V)	HCD80354: 510 x 492 HCD80484: 768 x 494 HCD80354X: 500 x 582 HCD80484X: 752 x 582
Minimum Illumination	Standard Resolution: 0.6 lux @ F1.2 (50 IRE) High Resolution: 0.75 lux @ F1.2 (50 IRE)
Horizontal Resolution	350 TVL, 480 TVL
Video Output	1.0 Vp-p @ 75 Ohms
Sync System	12 VDC: Internal 24 VAC: (Line lock)
S/N Ratio	52 dB typical
Auto Gain Control	Off/On, selectable
ALC	Direct drive Auto Iris lenses
Automatic Electronic Shutter	1/60 – 1/100,000 sec (NTSC) 1/50 – 1/100,000 sec (PAL)
Lens Type	4.0 – 9.0 mm Vari-focal Auto Iris, F1.5
White Balance	ATW/AWB
Line Lock Phase Adjustment	Adjustable line lock vertical phase
BLC	On (central window)/Off (switchable)
Electrical	
Input Voltage	12 VDC/24 VAC
Input Range	11 – 16 VDC, 17 – 28 VAC
Surge Suppression	1.5 kW transient
Power Consumption	2.8 W (max) @ 12 VDC 3.5 W (max) @ 24 VAC
Mechanical	
Dimensions	See diagram
Weight	1.25 lb (0.57 kg)
Construction	Housing: Polished aluminum with sunhood Finish: Polished aluminum
Connector	Video Output: BNC Connector Power Input: Tinned leads

Environmental			
Temperature	Operating: -13°F to 122°F (-25°C to 50°C) Storage: -13°F to 122°F (-25°C to 50°C)		
Relative Humidity	0% to 85%, non-condensing		
Rating	NEMA 4X		
Regulatory			
Emissions	FCC (EN55013)		
Immunity	CE (EN 50130-4)		
Safety	UL2044, EU: 73/23/EEC LVD		
Accessories:			
Transformers			
HPT2420	24 VAC, 20 VA Class 2 plug-in with thermal cut-out		
HPT12DC1000	12 VDC, 1000 mA plug-in regulated 2.1 mm coaxial plug UL Listed/CSA Certified		
Power Supplies			
UL Listed	Fused	Smart Fused	Description
HPTV2404UL	HPTV2404	HPTV2404CB	4 A, 4 Output
HPTV2408UL	HPTV2408	HPTV2408CB	4 A, 8 Output
HPTV2416UL	HPTV2416	HPTV2416CB	8 A, 16 Output



Ordering	
HCD80354	1/3" CCD, Standard Resolution Color Camera, 350 TVL, NTSC
HCD80484	1/3" CCD, High Resolution Color Camera, 480 TVL, NTSC
HCD80354X	1/3" CCD, Standard Resolution Color Camera, 350 TVL, PAL
HCD80484X	1/3" CCD, High Resolution Color Camera, 480 TVL, PAL

NOTE: Honeywell reserves the right, without notification, to make changes in product design or specifications.

Honeywell Security

Honeywell Video Systems
2700 Blankenbaker Pkwy, Suite 150
Louisville, KY 40299
1.800.796.CCTV
www.honeywell.com

HV05267
L/HCD80/D
September 2006
© 2006 Honeywell International Inc.

Honeywell