

HCD484E

TRUE DAY/NIGHT HIGH RESOLUTION COLOR CAMERA

The Honeywell HCD484E color camera is ideally suited for use in 24/7 surveillance applications. The HCD484E adapts to varying lighting conditions to ensure the highest quality picture even in very low light conditions. When the light level drops too low for accurate video identification in color, the camera automatically moves the IR cut filter out of the optical path. Then switches to black and white video to capture more detail using the increased sensitivity of the CCD to IR light. The camera uses internal logic, external light sensors or RS-485 communication to control the switchover from color to black and white. This improves the reliability of the operation of the camera in difficult installation or lighting conditions.

An on-screen text menu simplifies all setup and adjustment options. Menu navigation is simple and picture adjustments can be made in a matter of seconds with easy-to-use push buttons on the side of the camera.

The HCD484E includes an automatic electronic shutter for changes in light level, and 6 zones of automatic backlight compensation option for viewing backlit scenes. The HCD484E produces 480 TV lines of resolution for applications requiring the highest level of sharpness in video quality as well as providing reliable video quality even in low light conditions down to 0.06 lux.

Market Opportunities

The Honeywell HCD484E is designed for high resolution 24/7 surveillance applications including those with infrared illumination. This includes general indoor surveillance applications in retail, financial, and other commercial markets. Combined with the HHC12 environmental housing, the HCD484E can be used as a solution for outdoor applications, such as parking lots, building entranceways, and driveways.

Features

- 1/3" color CCD with DSP
- 480 TV lines of resolution
- True Day/Night Low-light performance down to 0.06 lux (F1.2)
- Automatic Electronic Shutter (AES)
- 6 Zone Automatic Backlight Compensation (BLC)
- 12 VDC/24 VAC with line lock, phase adjustable
- DC, Video and Manual Iris lens support
- Phase adjustable line lock
- Improved low light sensitivity using external IR illumination



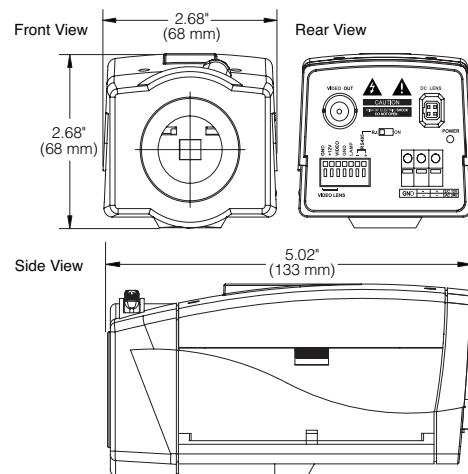
SPECIFICATIONS

Operational	
Video Standard	NTSC, PAL
Scanning System	525/60 TVL (NTSC) 625/50 TVL (PAL)
Image Sensor	1/3" Interline Transfer CCD
Number of Pixels (H x V)	768 x 494 (NTSC) 752 x 582 (PAL)
Minimum Illumination	0.5 lux (color), 0.06 lux (B/W) @ F1.2 (50 IRE)
Horizontal Resolution	480 TVL
Video Output	1.0 Vp-p @ 75 Ohms
Sync System	12 VDC: Internal 24 VAC: line lock
S/N Ratio	50 dB typical
Auto Gain Control	Adjustable (0 – 36dB)
ALC	Direct drive Auto Iris lenses
Automatic Electronic Shutter	1/60 – 1/100,000 sec (NTSC) 1/50 – 1/100,000 sec (PAL)
White Balance	AWB/ATW/Manual
BLC	6 Sensing zones
Line Lock Phase Adjustment	Adjustable line lock vertical phase
Gamma	Selectable: 0.45/0.8/1
Day/Night Control	IR Pass/IR Cut, Internal Logic/RS-485, Chroma On/Off
Remote Control	RS-485
Electrical	
Input Voltage	12 VDC/24 VAC
Input Range	10 - 14 VDC, 20 - 28 VAC
Surge Suppression	Internal transformer
Power Consumption	4.5 W (max)
Mechanical	
Dimensions (W x H x D)	2.68" x 2.68" x 5.02" (68 mm x 68 mm x 133 mm)
Weight	1.0 lb (0.45 kg) camera only
Construction	Housing: Aluminum Finish: Cool gray powder coat
Camera Mount	1/4 – 20 UNC (top and bottom)
Lens Mount	C/CS adjustable mounting ring
Connector	Video output: BNC connector Lens: 4-pin connector Power Input: Push terminal with ground
Power Indicator	LED

Ordering	
HCD484E	1/3" CCD High-Resolution True Day/Night Camera with DSP, 480 TVL, 0.06 lux, 12 VDC/24 VAC, RS-485,NTSC
HCD484EX	1/3" CCD High-Resolution True Day/Night Camera with DSP, 480 TVL, 0.06 lux, 12 VDC/24 VAC, RS-485, PAL
HCD485EX	1/3" CCD High-Resolution True Day/Night Camera with DSP, 480 TVL, 0.06 lux, 230 V, RS-485, PAL

NOTE: Honeywell reserves the right, without notification, to make changes in product design or specifications.

Environmental			
Temperature	Operating: 14°F to 122°F (-10°C to 50°C) Storage: -4°F to 140°F (-20°C to 60°C)		
Relative Humidity	20% to 80%, non-condensing		
Regulatory			
Emissions	FCC, CE (EN55013)		
Immunity	CE (EN50130-4)		
Safety	EU: 73/23/EEC LVD		
Accessories:			
Recommended Lens Options			
HLD25V6F12L	2.5 - 6 mm, F1.2, DC Auto Iris lens		
HLD28V8DNL	2.9 - 8 mm, F0.95, Aspherical Vari-focal lens		
HLD27V13DNL	2.7 - 13.5 mm, F1.3, Aspherical Vari-focal lens		
HLD5V50DNL	5.0 - 50 mm, F1.6, Aspherical Vari-focal lens		
Housings and Mounts			
HBC5WT	Wall/Ceiling Mount Bracket		
HHC12 Series	Environmental Housing		
Transformers			
HPT2420	24 VAC, 20 VA Class 2 plug-in with thermal cut-out		
HPT12DC500	12 VDC, 500 mA plug-in regulated 2.1 mm coaxial plug UL Listed/CSA Certified		
Power Supplies			
UL Listed	Fused	Smart Fused	Description
HPTV2404UL	HPTV2404	HPTV2404CB	4 A, 4 Output
HPTV2408UL	HPTV2408	HPTV2408CB	4 A, 8 Output
HPTV2416UL	HPTV2416	HPTV2416CB	8 A, 16 Output



Honeywell Security

Honeywell Video Systems
2700 Blankenbaker Pkwy, Suite 150
Louisville, KY 40299
1.800.796.CCTV
www.honeywell.com

HV05237
L/HCD484E/D
August 2006
© 2006 Honeywell International Inc.