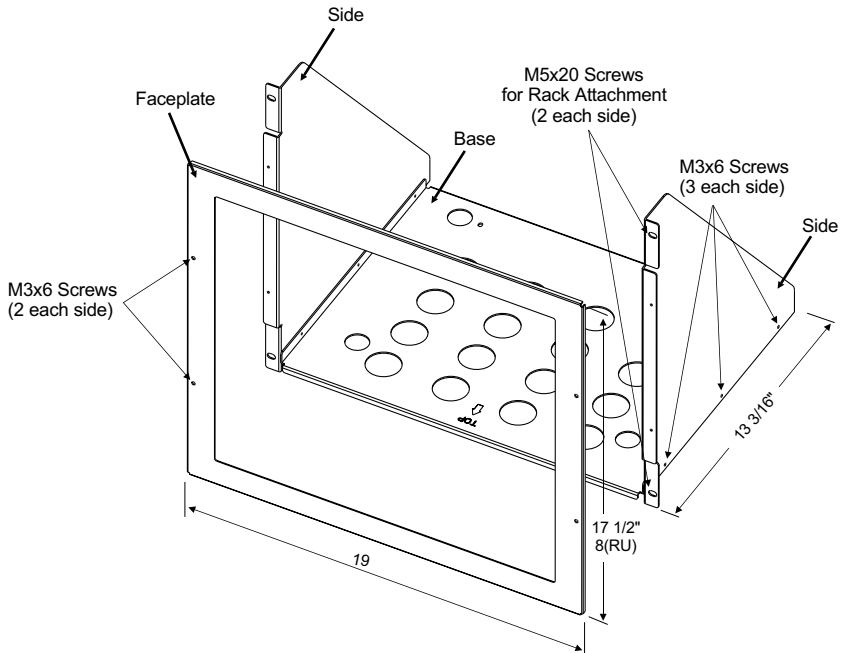




# KIT CONTENTS

This rack kit is specifically designed to mount an HONEYWELL HMM17 B&W 17-inch monitors in a standard 19-inch rack. It contains the following items:

Qty.	Description
1	Base
2	Sides
1	Faceplate
6	M3x6 Taptite Screws to attach the Sides to the Base
4	M5x20 Screws to attach the kit to a standard 19-inch rack
4	M3x6 Taptite Screws to attach the Faceplate



---

## ASSEMBLY & INSTALLATION

---

**NOTE : Refer to the illustration for correct orientation. The Base should be positioned with the arrow pointing toward the front of the rack, and the "lips" for attaching the sides should be up.**

1. Attach the two sides to the base as shown using three M3x6 Taptite screws for each side.
2. Set the monitor on the base so that the feet rest in the appropriate holes.
3. Attach the assembly to the rack using the supplied M5x20 screws. Insert the screws through the two large holes on each rack side.
4. Attach the monitor cables and cords according to the directions in the monitor manual.

**NOTE : You can save yourself a lot of work if you make certain everything is working properly before installing the faceplate.**

5. Install the faceplate using the four M3x 6 Taptite screws.

---

## SPECIFICATIONS

---

COLOR - HMM17RK1 .....	Black
HMM17RK1X .....	Gray
MATERIAL	
Base and Sides .....	EGI 1.6T Steel
Faceplate .....	EGI 1.2T Steel
WEIGHT .....	11.44 lbs. (5.2 kg)
SHIPPING WEIGHT .....	13.2 lbs. (6.0 kg)
DIMENSIONS .....	19"W x 17 1/2"H (8RU) x 13 3/16"D

All information was correct at the time of publication. HONEYWELL reserves the right to make changes and improvements to the product without notice.

**Honeywell Security**  
**Honeywell Video Systems**  
2700 Blankenbaker Parkway  
Louisville, KY 40299  
[www.honeywell.com](http://www.honeywell.com)  
1.800.796.CCTV

**Honeywell Security Australia Pty Ltd.**

Unit 5, Riverside Centre, 24-28 River Road West  
Parramatta, NSW 2150, Australia  
[www.ademco.com.au](http://www.ademco.com.au)  
TEL +61-2-8837-9300

**Honeywell Security Asia Pacific Ltd.**

Flat A, 16/F, CDW Building, 388 Castle Peak Road  
Tsuen Wan, N.T., Hong Kong  
[www.ademco.com.hk](http://www.ademco.com.hk)  
TEL +853-2405-2323

**Honeywell Security France**

Parc Gutenberg, 13, Voie La Cardon  
91120, Palaiseau, France  
[www.ademco.fr](http://www.ademco.fr)  
TEL +33-1-6932-1090

**Honeywell Security Italia SpA**

Via della Resistenza 53/59, 20090 Buccinasco  
Milan, Italy  
[www.ademco.it](http://www.ademco.it)  
TEL +39-02-457-1791

**Honeywell Security Espana**

Calle Vivero, 5, 28040  
Madrid, Spain  
[www.ademco.es](http://www.ademco.es)  
TEL +34-91-533-4706

**Honeywell Security House (Netherlands)**

Amperestraat 41  
1446 TR Purmerend, Netherlands  
[www.SecurityHouse.nl](http://www.SecurityHouse.nl)  
TEL +31-299-419-000

**Honeywell Video Systems UK Ltd.**

Aston Fields Road, Whitehouse Ind Est  
Runcorn, Cheshire, WA7 3DL, UK  
[www.videocontrols.co.uk](http://www.videocontrols.co.uk)  
TEL +44-1928-754-000

**Honeywell Security South Africa**

Unit 6 Galaxy Park, Galaxy Avenue, Linbro  
Business Park  
P.O. Box 59904, kengray, 2100, South Africa  
[www.honeywell.co.za](http://www.honeywell.co.za)  
TEL +27-11-574-2500

**Honeywell Security Germany**

Gro ßenbaumer Weg 8  
40472 Düsseldorf, Germany  
[www.ultrak.com](http://www.ultrak.com)  
TEL +49-211-415-090

**Honeywell Security Poland**

Chmielewskiego 22a, 70-028  
Szczecin, Polska  
[www.ultrak.pl](http://www.ultrak.pl)  
TEL +48-91-485-40-60

**Honeywell Security Czech Republic**

Havránkova 33, Brno  
Dolní Heršpice, 619 00, Czech Republic  
[www.olympo.cz](http://www.olympo.cz)  
TEL +420-543-558-111

**Honeywell Security Slovakia Republic**

Vajnorská 142, 83104 Bratislava  
Slovakia  
[www.olympo.cz](http://www.olympo.cz)  
TEL +421-2-444-54-660

# Honeywell

Video Systems  
[www.honeywell.com](http://www.honeywell.com)  
1.800.796.CCTV

2005 Honeywell International Inc.

All rights reserved. No part of this publication may be reproduced by any means without written permission from Honeywell Video Systems. The information in this publication is believed to be accurate in all respects. However, Honeywell Video Systems cannot assume responsibility for any consequences resulting from the use thereof. The information contained herein is subject to change without notice. Revisions or new editions to this publication may be issued to incorporate such changes.