

Performance Series IP Embedded NVR Kits

www.honeywellvideo.com

3 MEGAPIXEL FULL HD IP CAMERAS AND 4 CHANNEL EMBEDDED NVR

Introducing the new Performance Series IP Embedded NVR kits from Honeywell. The kits feature 3 Megapixel Full HD IR-Illuminated IP66-rated cameras, and an embedded NVR with a user-friendly set-up and configuration wizard that takes you to live video in minutes. You have a choice of a 1 or 2 TB embedded NVR (Field upgradeable up to 12TB* storage max) and 4 IP ball cameras OR 4 IP bullet cameras. These bundled kits offer the perfect economical and flexible solution for small to medium sized businesses.

Fully-featured NVRs

- **High decoding capability** for full HD viewing and recording.
- View up to **four channels simultaneously** on your monitor.
- All channels live view and play back at **1080p @ full frame rate and 3MP @ 20 frames per second.**
- **Bidirectional audio communication** for the NVR.

Fully-featured Cameras

- **IR LEDs** facilitate recording in dimly lit or nighttime scenes.
- **Waterproof (IP66) camera housings** are perfect for outdoor installations.
- **Camera configurations** to improve image quality and reduce image size, and to detect and respond to alarm events.
- 1/3" 3MP sensor, no distortion of image in 16:9 display, **12.5% more pixel density** than conventional 3MP 4:3 cameras

Easy to Use

- The **Quick wizard** and **PoE support of plug-and-play** makes setup fast and easy.
- Physical installation within minutes with the help of **comprehensive and easy-to-understand quick installation guides** for the NVR and IP cameras.

Convenient, Flexible Storage Options

- Internal storage supports **two HDDs up to 12 TB** (6 TB each).*
- Store video clips and snapshots to **external storage**, such as the **client's PC**, through the Internet.
- Store video clips and snapshots to an **external network** storage server such as an **FTP site**.
- Store video clips and snapshots to a **USB memory device**.

Dynamic, Accessible Monitoring

- Monitor from anywhere using the **mobile apps** for Apple and Android smartphones, tablet computers, and laptops.

Privacy Masking

- **Conceal up to 4 areas** of a scene from viewing and recording.

Safety Features

- **Configurable motion detection and camera tamper detection settings**, including configurable alarm alerts, such as automatic emails (with attached video or snapshot) and automatic alerts (such as buzzers or flashing lights).
- **Remote configuration and firmware updating** through Honeywell Viewer web client and the Honeywell Config tool. Password-protected access to the camera's and NVR's video and network setup.

Market Opportunities

The flexible storage options of the Performance Series IP Embedded NVR plus the fully-featured IP IR cameras make this kit perfect for many security applications.

Camera Features	NVR Features
<ul style="list-style-type: none"> • 30 fps @ 1080p (1920x1080) or 20 fps @ 3MP (2304x1296) 16:9 display 	<ul style="list-style-type: none"> • H.264/MJPEG dual codec decoding
<ul style="list-style-type: none"> • True Day/Night with Smart IR Technology 	<ul style="list-style-type: none"> • HDMI/VGA simultaneous video output
<ul style="list-style-type: none"> • UL listed 	<ul style="list-style-type: none"> • Supports 4 channels of alarm input and 2 channels of alarm relay output
<ul style="list-style-type: none"> • 3.6mm F 2.1 fixed lens (Bullet), 2.8mm F 2.1 fixed lens (Ball Camera) 	<ul style="list-style-type: none"> • Supports IE, Safari, Firefox • UL listed

* see user guide for compatible HD listings



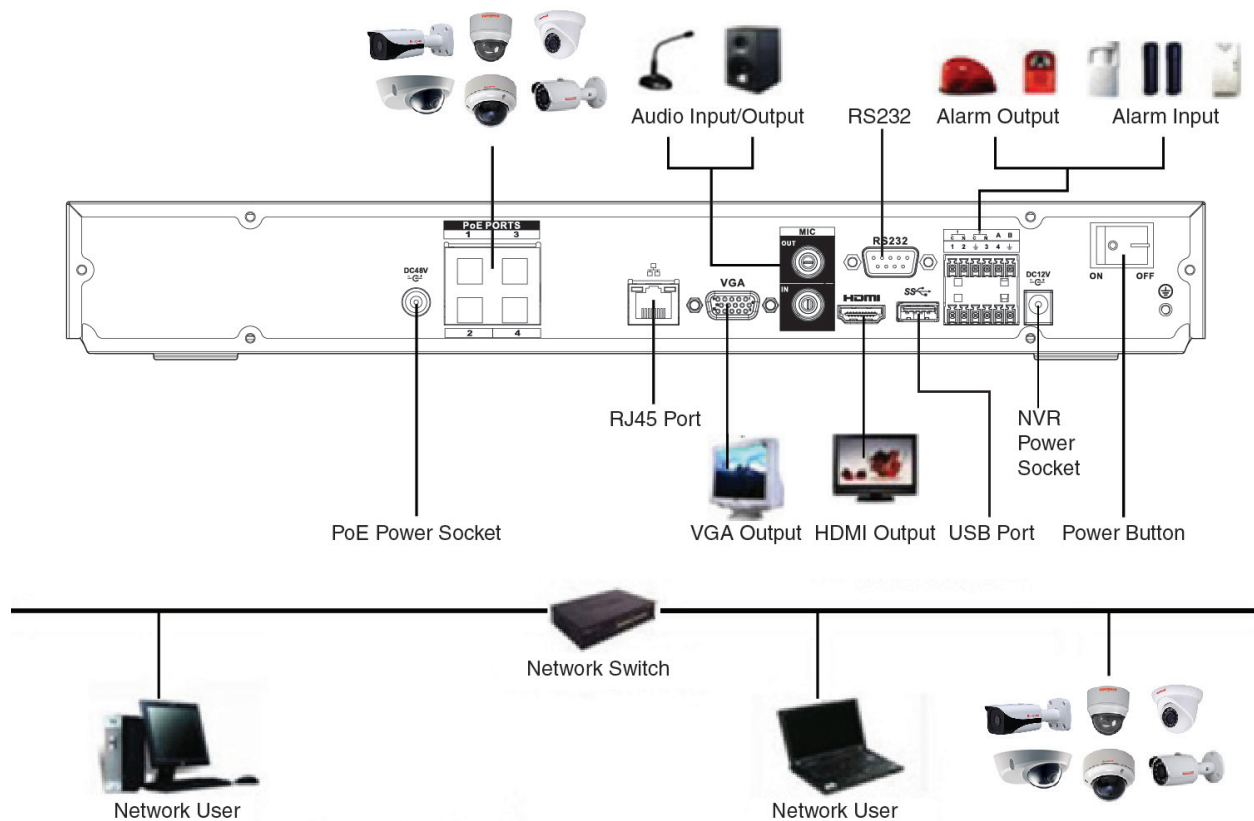
Performance Series IP Embedded NVR Kits www.honeywellvideo.com

FEATURES

Immediately Detect and Respond to Events

The Performance Series IP NVR/Cameras can be configured to automatically detect and respond to events such as motion in the scene, alarm inputs, a network failure and/or tampering. Automated responses include:

- Sending a notification through email, FTP and/or HTTP.
- Uploading still images at the time of the event through email and/or FTP.
- Recording a video clip of the event to the client's PC or network-attached storage.
- Enabling a visual or auditory notification (a flashing light, bell or siren).



Performance Series IP Embedded NVR Kits www.honeywellvideo.com

NVR SPECIFICATIONS

System		Network	
Main Processor	Dual-core embedded processor	Operating System	Windows® XP; Windows Vista; Windows 7
Operating System	Embedded LINUX	CPU Requirements	Pentium M 2.16 GHz or Intel Core 2 Duo 2 GHz
Video		System Memory	At least 2 GB
IP Camera Inputs	4 channels	Network Card	RJ-45 (10/100 Base-T)
Bi-directional Audio	1 channel input; 1 channel output; RCA	Web Browser	Microsoft Internet Explorer 6.0 or later; Mozilla Firefox®
Display		Supported Protocols	HTTP; TCP/IP; IPv4/IPv6; UPnP; RTSP; UDP; SMTP; NTP; DHCP; DNS; IP filter; PPPoE; DDNS; FTP; Alarm server; IP search
Interface	1 HDMI; 1 VGA	Smart Phone Compatibility	IOS; Android™
Resolution	1920 x 1080; 1280 x 1024; 1280 x 720; 1024 x 768	Storage	
Display Split	1/4	Internal Storage	2 SATA ports; up to 12 TB; RAID (redundancy)
OSD	Camera title; Time; Video loss; Camera lock; Motion detection; Recording	Connectors	
Recording		Ethernet	1 x RJ-45 port (10/100/1000 Mbps)
Compression	H.264 / MJPEG	PoE	4 ports (IEEE802.3af)
Resolution	5MP (2560x1920); 4MP (2688x1520 / 2560x1440); 3MP (2304x1296 / 2048x1536); 1080p (1920 x 1080); 720p (1280 x 720); D1 (704 x 576 / 704 x 480); SXGA (800 x 600); 1.3 MP (1280 x 1024)	USB	2 ports: USB 3.0 on rear panel; USB 2.0 on front panel
Recording Rate	100/120 fps @ 1080p	RS232	1 port, for PC communication
Bit Rate	48 to 8192 Kbps	RS485	1 port
Recording Mode	Manual; Schedule (Regular [Continuous], Motion Detection, Alarm, Motion Detection+Alarm); Stop	Electrical	
Recording Interval	1 to 120 minutes (default: 60 minutes); Pre-recording: 1 to 30 seconds.	Power Supply	NVR: 12 V DC; 4 A external adaptor PoE: 48 V DC; 1.04 A external adaptor
Video Detection and Alarms		Power Consumption	35 ~ 115 W depending on the number of HDD installed and PoE loading (maximum 393 Btu/hr)
Trigger Events	Recording; Tour; Alarm; Email; FTP; Buzzer; Screen Tips	Environmental	
Video Detection	Motion Detection; Motion Detection Zones (396: 22 x 18); Video Loss and Camera Blank; Privacy Masking	Operating Temperature	14°F to 131°F (-10°C to 55°C)
Alarm Input	4 channels	Storage Temperature	-4°F to 158°F (-20°C to 70°C)
Relay Output	2 channels	Humidity	10% to 90%
Playback and Backup		Physical	
Sync Playback	1/4	Dimensions	14.8x11.2x2.1 inches (375x285x52.6 mm)
Search Mode	Time/Date; Alarm; Motion Detection; Exact Search (accurate to a second)	Weight (without HDD)	4.41 pounds (2.0 kg)
Playback Function	Play; Pause; Stop; Rewind; Fast play; Slow play; Full Screen; Backup	Regulatory	
Backup Mode Compatibility	USB Device; Network	Emissions	FCC Part 15B, CE EN55022
		Immunity	CE EN50130-4
		Safety	EU: EN60950-1 North America UL listed to UL/CSA 60950-1

* Actual bitrate is scene and motion dependent with H.264 stream.

** Some development might be required in specific user cases to support some of these protocols in the field as they mature over time.

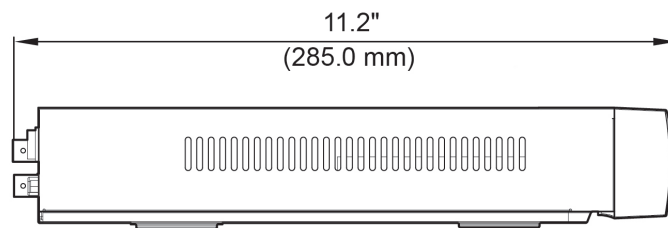
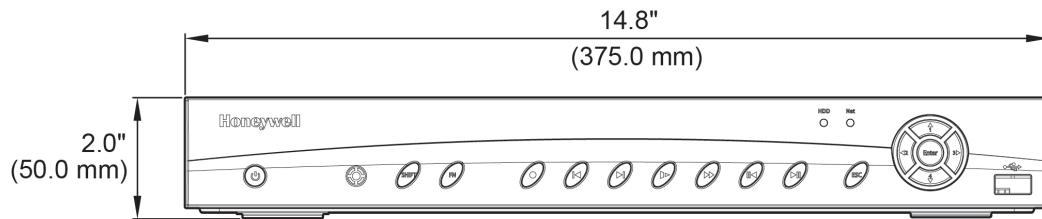
Performance Series IP Embedded NVR Kits www.honeywellvideo.com

CAMERA SPECIFICATIONS

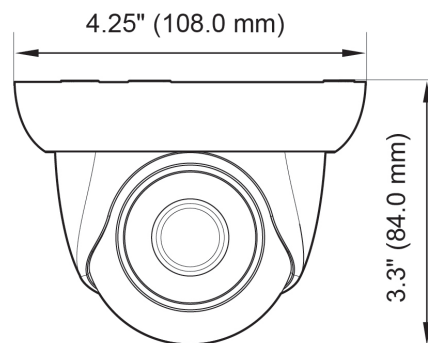
Camera		
Image Sensor	1/3" 3 megapixel progressive scan CMOS	
Effective Pixels	2304 (H) × 1296 (V)	
Electronic Shutter Speed	HED3PR3: Auto/Manual, 1/3–1/30000 s HBD3PR1: Auto/Manual, 1–1/100000 s	
Min. Illumination	0.45 lux, F2.1 (Color); 0 lux (IR LEDs on)	
S/N Ratio	More than 50 dB	
Camera Features		
IR Distance	Up to 100 ft (30 m), depending on scene reflectance	
Day/Night	Auto(ICR)/Color/BW	
Backlight Compensation	BLC/HLC/DWDR	
White Balance	Auto/Manual	
Gain Control	Auto/Manual	
Noise Reduction	3D	
Privacy Masking	Up to 4 areas	
Lens		
Focal Length	HED3PR3: 2.8 mm HBD3PR1: 3.6 mm	
Max. Aperture	F2.1	
Focus Control	Fixed	
Horizontal Angle of View	HED3PR3: 89° HBD3PR1: 81°	
Lens Type	Fixed	
Video		
Compression	H.264(Main/High/Baseline Profile)/MJPEG	
Resolution	3 MP (2304×1296), 1080p (1920×1080), 720p (1280×720), D1 (704×576/704×480), CIF (352×288/352×240)(704×576/704×480), CIF (352×288/352×240)	
Frame Rate	Main Stream	3 MP (1–20 fps), 1080p (1–25/30 fps)
	Sub Stream	D1, CIF (1–25/30 fps)
Bit Rate	H.264: 4–8192 kbps	
Corridor Mode	Support	
Network		
Ethernet	RJ-45 (10/100Base-T)	
Protocol	IPv4/IPv6, HTTP, HTTPS, TCP/IP, UDP, UPnP, ICMP, IGMP, RTSP, RTP, SMTP, NTP, DHCP, DNS, PPPoE, DDNS, FTP, IP Filter, QoS	
Compatibility	ONVIF Profile S, CGI	
Max. User Access	20 users	
Mobile App	HonView Touch for iPhone, iPad, Android Phone and Tablet	
General		
Power Supply	PoE (802.3af), 12 V DC	
Power Consumption	4.7 W max. (IR LEDs on)	8.5 W max. (IR LEDs on)
Working Environment	–22°F to 140°F (–30°C to 60°C); 10% to 100% RH, condensing	
Ingress Protection	IP66	
Vandal Resistance	IK10	
Dimensions	4.33 × 3.19 in. (110 × 81 mm)	4.8 × 3.5 in. (122 × 89 mm)
Weight	0.86 lb (0.39 kg)	1.1 lb (0.5 kg)
Regulatory	FCC, Part 15B, Class B	

DIMENSIONS

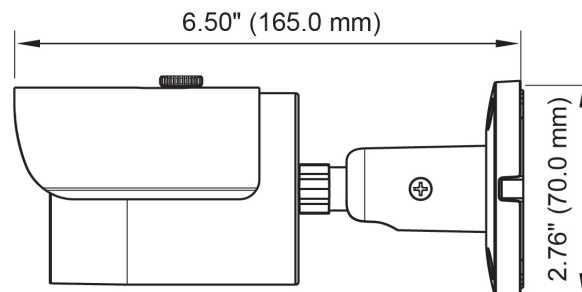
Embedded NVR



HED3PR3 Ball Camera



HBD3PR1 Bullet Camera



Performance Series IP Embedded NVR Kits www.honeywellvideo.com

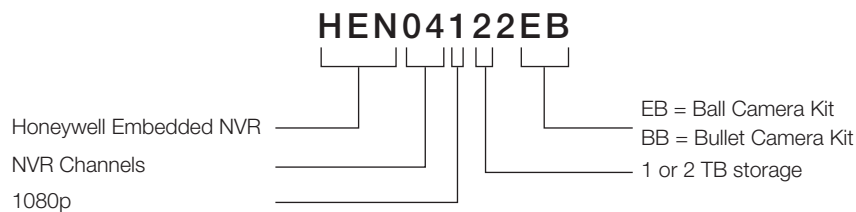
ORDERING

Model Number	Description
HEN04112EB	H.264 4CH NVR 1 TB and 4 pcs H.264 3MP IR BALL Cameras
HEN04122EB	H.264 4CH NVR 2 TB and 4 pcs H.264 3MP IR BALL Cameras
HEN04112BB	H.264 4CH NVR 1 TB and 4 pcs H.264 3MP IR BULLET Cameras
HEN04122BB	H.264 4CH NVR 2 TB and 4 pcs H.264 3MP IR BULLET Cameras
HEN04112	H.264 4CH NVR 1 TB
HEN04122	H.264 4CH NVR 2 TB
HED3PR3	H.264 2.8 mm Fixed Lens IR BALL Camera
HBD3PR1	H.264 3.6 mm Fixed Lens IR BULLET Camera

Accessories	
HEJB	Back box for HED3PR3 and HBD3PR1

Recommended Cables	
Part Number	Description (Application)
6360	Cat 6 Riser (Cameras)
6361	Cat 6 Plenum (Cameras)
2101	22/2 Solid Riser (Alarm Inputs)
3101	22/2 Solid Plenum (Alarm Inputs)
2114	18/2 Stranded Riser (Alarm Outputs)
3114	18/2 Stranded Plenum (Alarm Outputs)

NOTE: Honeywell reserves the right, without notification, to make changes in product design or specifications.



For more information

www.honeywell.com/security

Automation and Control Solutions

Honeywell Security and Fire
2 Corporate Center Dr. Suite 100
P.O. Box 9040
Melville, NY 11747
1.800.323.4576
www.honeywell.com

Honeywell