

H2S Series S

www.honeywellvideo.com

equiP® SERIES S 720p / 1080p INDOOR MICRO DOME IP CAMERAS

Honeywell's indoor micro dome H2S1P6(X) and H2S2P6(X) cameras offer high definition resolution at full frame rate, progressive scan technology, and edge enhancement for outstanding picture clarity. ONVIF (Profile S) compliance ensures hassle-free, flexible system integration.

Choose the Resolution That's Right for Your Application

- 720p (H2S1P6) or 1080p (H2S2P6) models.
- Quad stream compression (H.264-1+H.264-2+H.264-3+H.264-4/MJPEG).
- Configure a resolution and frame rate for each selected H.264 stream.

Maximize Bandwidth Without Losing Image Quality

- Highly efficient H.264 video compression.
- 3DNR (Digital Noise Reduction) and proprietary SPQ (Smart Picture Quality) provide significant storage savings without sacrificing image quality in low light.
- CMOS progressive scan imager ensures accurate color rendition through a wide variety of lighting conditions.

Onboard Video Storage

- Up to 32 GB microSDHC (Class 10) support. (Card not included.)

Privacy Masking

- Conceal up to 5 areas of a scene from viewing and recording.

Time is Money — Installation and Upgrading Made Easy

- Camera and lens integrated in a compact, single-piece unit.
- Built-in PoE (Power over Ethernet) eliminates separate power supply and associated wiring.
- Remote configuration and firmware updating through Honeywell Viewer web client or from an NVR/DVR. Password-protected access to the camera's video and network setup.
- Export/import of configuration facilitates quick rollout of multiple cameras.

Market Opportunities

The H2S Series S Micro Dome cameras are a cost-effective surveillance solution for installations that require excellent picture quality at minimal bandwidth. Their simple yet solid, low-profile design is ideal for discreet installations where space is limited. Installation and setup is simple, quick and easy, with a factory-focused lens and a simple PoE connection.

Features

- 30 fps (25 fps PAL) progressive scan
- Software day/night, 4.0 mm (F1.5) fixed lens
- Camera tamper detection and video motion detection
- Supports both dynamic and static IP addresses, and APIPA auto-IP addressing
- Up to x8 digital zoom
- Date and time stamp embedded into video stream
- Configurable user privileges for simple viewing or administrator control and setup of functions
- Built-in microphone supports one-way audio



FEATURES

Immediately Detect and Respond to Events

The camera can be configured to automatically detect and respond to events such as motion in the scene, alarm inputs, a network failure and/or tampering. Automated responses include:

- Sending a notification through email, FTP and/or HTTP.
- Uploading still images at the time of the event through email and/or FTP.
- Recording a video clip of the event to a configured microSDHC memory card or network-attached storage.
- Enabling a visual or auditory notification (a flashing light, bell or siren).

The screenshot displays the Honeywell equiP Series S web interface. At the top, the Honeywell logo and 'equiP® Series S' are visible. The user is logged in as 'admin'. The navigation menu includes 'Home', 'System', 'Streaming', 'Camera' (selected), and 'Logout'. The left sidebar contains various camera settings: Exposure (Auto Mode, Max Gain: 3, Auto Shutter selected, Min Shutter Speed: 1/4, Manual Mode), White Balance, Picture Adjustment, Backlight (Off), Digital Zoom (Off), WDR Function (Off), Noise Reduction (SPQ), and TV System (30 fps(NTSC)). The main area shows a live video feed of a hallway with a timestamp '2013/12/06 14:24' and a 'Languages' dropdown. A 'Video format' section is also visible, showing 'H.264-1' selected and 'H.264-2' unselected, with a list of supported formats and their bitrates and qualities.

Honeywell equiP® Series S User :admin

Home System Streaming **Camera** Logout

Exposure
Auto Mode
Max Gain: 3
Auto Shutter
Min Shutter Speed: 1/4
Manual Mode
White Balance
Picture Adjustment
Backlight: Off
Digital Zoom: Off
WDR Function: Off
Noise Reduction: SPQ
TV System: 30 fps(NTSC)

2013/12/06 14:24 Languages ▾

Video format H.264-1 H.264-2

MJPEG bitrate : middle compression, middle quality
H.264-1 bitrate : 4096 kbps, middle compression
H.264-2 bitrate : 1024 kbps, high compression, low quality
H.264-3 bitrate : 1024 kbps, high compression, low quality
H.264-4 bitrate : 1024 kbps, high compression, low quality

SPECIFICATIONS

Operational		Environmental			
Video Standard	NTSC/PAL	Temperature	Operating: 14°F to 122°F (-10°C to 50°C) Storage: -4°F to 158°F (-20°C to 70°)		
Scanning System	Progressive scan	Relative Humidity	10% to 90%, non-condensing		
Image Sensor	1/2.7" Progressive CMOS	IP Specifications			
Number of Pixels (H x V)	H2S2P6(X): 1920 x 1080 (1080p) H2S1P6(X): 1280 x 720 (720p)	Video Compression	Quad stream H.264 (x3) and H.264/MJPEG		
Minimum Illumination	H2S2P6(X): 0.4 lux color @ 30 IRE, F1.5 H2S1P6(X): 0.3 lux color @ 30 IRE, F1.5	Primary Stream Resolution	H.264 Bitrate (Typical)*	Frame Rate	Storage/Day (GB)
S/N Ratio	50 dB or more (AGC off)	H2S2P6(X) only			
Auto Gain Control	Off/On, selectable (20-40 dB)	1920 x 1080	4.0 Mbps	30/25	42.2
Wide Dynamic Range	69 dB	1280 x 1024	4.0 Mbps	30/25	42.2
Automatic Electronic Shutter (Manual Mode)	1-1/10,000 sec (NTSC/PAL)	Both Models			
Lens Type	4.0 mm, F1.5.	1280 x 720	2.0 Mbps	30/25	21.1
Angle of View	78°	1024 x 768	2.0 Mbps	30/25	21.1
White Balance	Manual/AWB/ATW	800 x 600	2.0 Mbps	30/25	21.1
Audio/One Way	Microphone fitted, with Gain control	720 x 480	1.0 Mbps	30/25	10.5
Electrical		640 x 480	1.0 Mbps	30/25	10.5
Input Voltage	PoE IEEE 802.3af, Type 1 Class 0, 12.95 W (max)	352 x 240	0.5 Mbps	30/25	5.3
Power Consumption	3.5W	Frame Rate NTSC/PAL	Up to 30/25 fps video in all resolutions 1080p and lower.		
Mechanical		Video Streaming	Quad streaming: H.264 (x3) and H.264/MJPEG Controllable frame rate and bandwidth Constant or variable bit rate		
Dimensions (W x H)	Ø 4.3" x 1.9" (Ø110.2 mm x 47.7 mm)	Security	Multiple user access levels with password protection		
Weight	0.40 lb. (0.18 kg) camera only	Video Access from Web Browser	Full control of all camera settings available to administrator		
Construction	Housing: PC + ABS Dome bubble: Polycarbonate	Operating System	Windows XP; Windows Vista; Windows 7 (32/64 bit)		
Recording and Storage	Up to 32 GB microSDHC card (Class 10) and Network Attached Storage (NAS) support (card and NAS not included)	CPU Requirements	Intel Pentium M, 2.16 GHz or Intel Core 2 Duo, 2.0 GHz		
Connector	Network: RJ45 connector	System Memory	2 GB RAM or more		
		Network Card	10Base-T (10 Mbps) minimum or 100Base-TX (100 Mbps) recommended		
		Web Browser	Microsoft Internet Explorer 6.0 or later; Mozilla Firefox®; Google Chrome; and Apple Safari		
		Installation and Management Maintenance	Honeywell IP Utility software identifies the IP address, discovers cameras, supports firmware upgrades		
		Supported Protocols**	IPv4/v6, TCP/IP, UDP, RTP, RTSP, HTTP, HTTPS, ICMP, FTP, SMTP, DHCP, PPPoE, UPnP, IGMP, SNMP, QoS, SSL, DNS, NTP		
		Standards	ONVIF Profile S		
Regulatory					
Emissions	FCC Part 15B, CE EN55022				
Immunity	CE EN50130-4				
Safety	EU: EN60950-1 North America UL listed to UL/CSA 60950-1				


* Actual bitrate is scene and motion dependent with H.264 stream.

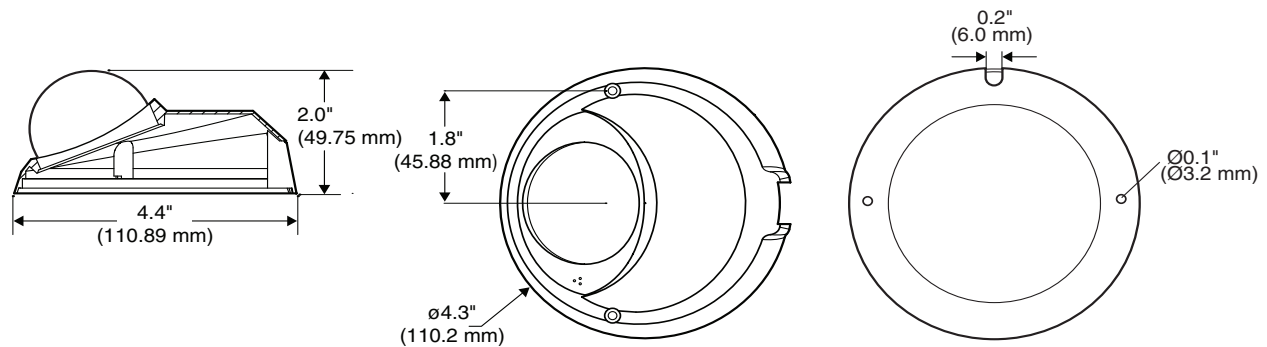
** Some development might be required in specific user cases to support some of these protocols in the field as naturally protocols will mature over time.

H2S Series S

www.honeywellvideo.com

ORDERING

System Integration	
Open IP Integration	
<p>ONVIF support and open API for software integration. Refer to www.onvif.org for the ONVIF specification and the Honeywell Open Technology Alliance (http://www.security.honeywell.com/hota) to learn more about our open and integrated solutions.</p>	



Ordering				
equiP Series Indoor IP Micro Dome Camera				
Model Number	1080p	720p	NTSC	PAL
H2S1P6		✓	✓	
H2S1P6X		✓		✓
H2S2P6	✓		✓	
H2S2P6X	✓			✓

NOTE: Honeywell reserves the right, without notification, to make changes in product design or specifications.

For more information:

www.honeywell.com/security

Automation and Control Solutions

Honeywell Security Products Americas
 2700 Blankenbaker Pkwy, Suite 150
 Louisville, KY 40299
 1.800.323.4576
www.honeywell.com

L/ESRSMDD/D
 January 2014
 © 2014 Honeywell International Inc.