

HCW2S2

equip® SERIES S 1080p WIDE DYNAMIC TRUE DAY/NIGHT H.264 INDOOR BOX IP CAMERA

Honeywell's HCW2S2 indoor, Wide Dynamic True Day/Night box IP cameras offer high definition 1080p (1920x1080) resolution at full frame rate, progressive scan technology, and edge enhancement for outstanding picture clarity and definition. ONVIF (Profile S) compliance ensures hassle-free, flexible system integration.

Choose the Resolution That's Right for Your Application

- 1080p (1920 × 1080) high definition resolution.
- Quad stream compression (H.264-1+H.264-2+H.264-3+H.264-4/MJPEG).
- Configurable resolution and frame rate for each selected H.264 stream.

Excellent Wide Dynamic Range for Difficult Lighting Environments

- Higher quality images and significantly better dynamic range (96 dB) than conventional IP cameras.
- When the light level drops too low for accurate video identification in color, the True Day/Night camera moves the IR cut filter out of the optical path and then switches to black and white video to capture more detail using the increased sensitivity of the CMOS sensor to IR light.

Maximize Bandwidth Without Losing Image Quality

- Highly efficient H.264 video compression.
- 3DNR (Digital Noise Reduction) and proprietary SPQ (Smart Picture Quality) provide significant storage savings without sacrificing image quality in low light.

Onboard Video Storage

- Up to 32 GB microSDHC (Class 10) support. Card not included.

Privacy Masking

- Conceal up to 5 areas of a scene from viewing and recording.

Time is Money — Installation and Upgrading Made Easy

- Built-in PoE (Power over Ethernet) eliminates separate power supply and associated wiring. 12 V DC or 24 V AC inputs where PoE switching is unavailable.
- Remote configuration and firmware updating through Honeywell Viewer web client or from an NVR/DVR. Password-protected access to the camera's video and network setup.
- Export/import of configuration facilitates quick rollout of multiple cameras.

Market Opportunities

The HCW2S2 cameras are perfect for installations that require excellent picture quality at minimal bandwidth. With at least three times the resolution of standard analog cameras, yet with similar bandwidth requirements, the HCW2S2 network cameras can be retrofitted on many existing DVR/NVR installations without requiring additional storage.

Features

- Up to 30 fps (25 fps PAL) progressive scan with WDR mode On; up to 60 fps (50 fps PAL) progressive scan with WDR mode Off
- True day/night with removable IR cut filter
- Dynamic Range: 96 dB
- Camera tamper detection and video motion detection
- ONVIF support (Profile S)
- Supports both dynamic and static IP addresses and APIPA auto-IP addressing
- Remote firmware updating
- Up to x16 digital zoom
- Date and time stamp embedded in video stream
- Configurable user privileges for simple viewing or administrator control and setup of functions
- Multiple user access levels with password protection
- Input (x1) and output (x1) alarm contacts
- RS485 interface for connection to pan tilt positioning system
- Bidirectional audio communication



HD

(Lens sold separately)

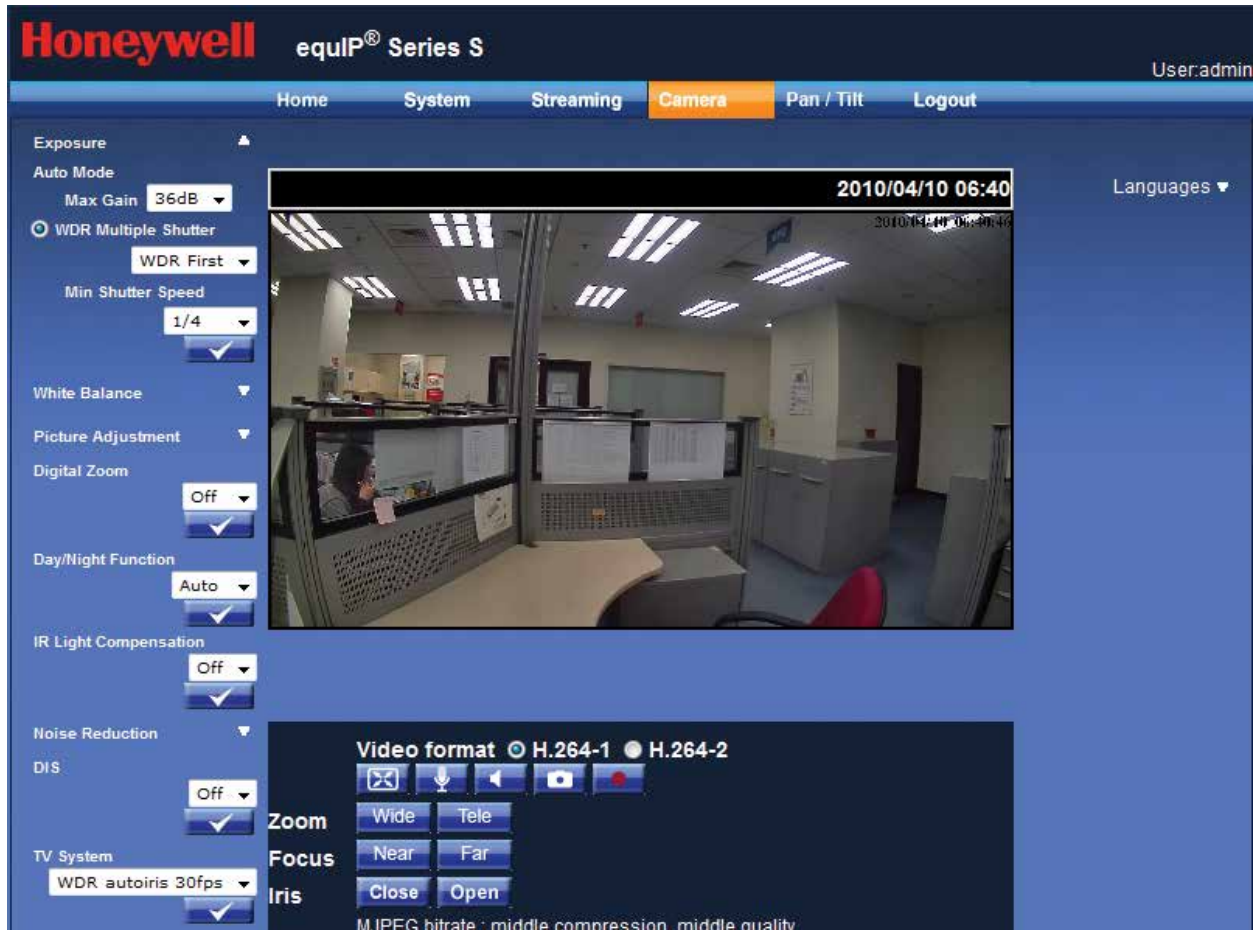


FEATURES

Immediately Detect and Respond to Events

The camera can be configured to automatically detect and respond to events such as motion in the scene, alarm inputs, a network failure and/or tampering. Automated responses include:

- Sending a notification through email, FTP, and/or HTTP.
- Uploading still images at the time of event through email and/or FTP.
- Recording a video clip of the event to a configured microSDHC memory card or Network Attached Storage device.
- Enabling a visual or auditory notification (for example, a flashing light, bell or siren).



SPECIFICATIONS


Operational			
Video Standard	NTSC/PAL		
Scanning System	Progressive scan		
Image Sensor	1/2.8" Sony progressive CMOS		
Number of Pixels (H x V)	1920x1080 (1080p)		
Minimum Illumination	Color: 0.15 lux; 0.3 lux @ 50 IRE, F1.2 (2-shutter WDR) BW: 0.01 lux; 0.02 lux @ 50 IRE, F1.2 (2-shutter WDR)		
Video Output (AUX)	1.0 Vp-p @ 75 ohms		
S/N Ratio	50 dB or more (AGC off)		
Auto Gain Control	Off/On, selectable (10–40 dB)		
Wide Dynamic Range	Shutter WDR (96 dB)		
Automatic Electronic Shutter	1–1/10,000 s (NTSC and PAL)		
Horizontal Angle of View	HLD3V8MPD Lens: 102° wide; 40° tele HLM45V13MPD Lens: 64° wide; 25° tele		
White Balance	Auto/ATW/Manual/Indoor/Outdoor		
Audio/Two Way	Line in/out		
Electrical			
Input Voltage	12 V DC, 24 V AC, PoE IEEE 802.3af, Type 1, Class 0		
Power Consumption	6.3 W (max) 12 V DC/24 V AC PD Type 1, Class 0, 12.95 W (max)		
Mechanical			
Dimensions, without lens (LxWxH)	4.9" x 3.2" x 2.0" (125 mm x 82 mm x 52 mm)		
Weight	0.73 lb (0.33 kg)		
Construction	Housing: Die cast aluminum Finish: Cool gray powder coat		
Camera Mount	1/4-20 UNC top and underside mounting rings		
Recording and Storage	Up to 32 GB microSDHC card (class 10) and Network Attached Storage (NAS) support (card and NAS not included)		
Connectors	Video output (AUX): BNC connector Lens mount: C/CS mount Auto iris lens: 4-pin connector. Auto iris cable must be at least 8.0" (200 mm) long. Power input: 3-pin terminal block Network: RJ45 connector Alarm I/O: 4-pin terminal block Pan tilt positioning: RS485 (D+, D-) Audio In: 3.5 mm stereo phone jack Audio Out: 3.5 mm stereo phone jack		
Environmental			
Temperature	Operating: 14°F to 122°F (–10°C to 50°C) Storage: –4°F to 158°F (–20°C to 70°C)		
Relative Humidity	10% to 90%, non-condensing		
IP Specifications			
Video Compression	H.264 Baseline/Main/High Profile, Motion JPEG		
Primary Stream Resolution	H.264 Bitrate (Typical)*	Frame Rate	Storage/Day (GB)
1920x1080	4.0 Mbps	30/25	42.2
1280x1024	4.0 Mbps	30/25	42.2
1280x720	2.0 Mbps	30/25	21.1
1024x768	2.0 Mbps	30/25	21.1
800x600	2.0 Mbps	30/25	21.1
720x480	1.0 Mbps	30/25	10.5
640x480	1.0 Mbps	30/25	10.5
352x240	0.5 Mbps	30/25	5.3
Frame Rate (NTSC/PAL)	Quad/triple streams: Up to 30/25 fps video Dual/single streams: Up to 60/50 fps video**		
Video Streaming	Quad streaming: H.264 (x3) and H.264/MJPEG Controllable frame rate and bandwidth Constant or variable bitrate		
Security	Multiple user access levels with password protection		
Video Access from Web Browser	Full control of all camera settings available to administrator		
System Requirements	CPU: Pentium M 2.16 GHz or Intel Core 2 Duo 2.0 GHz RAM: 2 GB or more Network Card: 10Base-T (10 Mbps) minimum or 100Base-TX (100 Mbps) recommended OS: Windows XP, Windows Vista, or Windows 7 Browser: Internet Explorer 6.0 or later (32-bit), Google Chrome, Mozilla Firefox, or Apple Safari		
Installation and Management Maintenance	Honeywell Device Search software identifies the IP address, discovers cameras, supports firmware upgrades		
Supported Protocols***	IPv4/v6, TCP/IP, UDP, RTP, RTSP, HTTP, HTTPS, ICMP, FTP, SMTP, DHCP, PPPoE, UPnP, IGMP, SNMP, QoS, SSL, DDNS, NTP		
Standards	ONVIF (Profile S)		
Regulatory			
Emissions	FCC part 15B, CE (EN 55022)		
Immunity	CE (EN 50130-4)		
Safety	CE (EN 60950-1) North America UL listed to UL/CSA 60950-1		

* Actual bitrate is scene and motion dependent with H.264 stream.

** WDR mode must be turned off for 60/50 fps video to be selectable.

*** Some development may be required in specific user cases to support some of these protocols in the field as they mature over time.

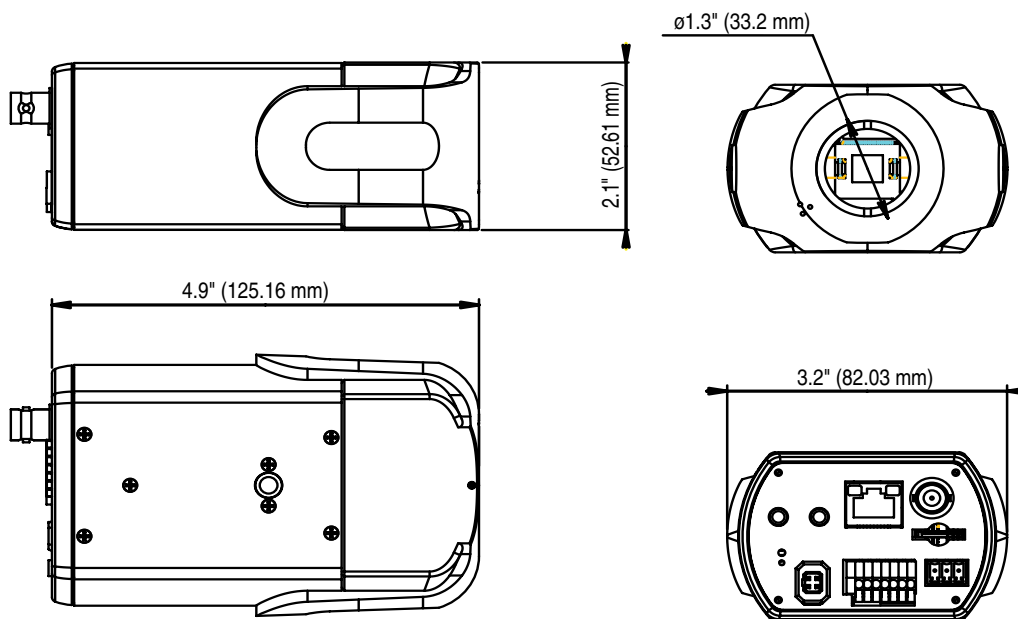
ORDERING

System Integration	
Open IP Integration	
<p>ONVIF support and open API for software integration. Refer to www.onvif.org for the ONVIF specification and the Honeywell Open Technology Alliance website (http://www.security.honeywell.com/hota) to learn more about our open and integrated solutions.</p>	

Accessories	
Recommended Lens Options *	
HLD3V8MPD	3.0-8.0 mm high definition megapixel auto iris lens
HLM45V13MPD	4.5-13.2 mm high definition megapixel lens
Housing and Mounts	
HBC5WT	Wall/ceiling mount bracket (Off White)
HBC5BK	Wall/ceiling mount bracket (Black)
HHCWM	Environmental housing **
HHCWM2	Environmental housing with heater/blower **

* Only a high definition megapixel lens should be used with the HCW2S2 network cameras.

** When the HCW2S2 network camera is installed in the HHCWM or the HHCWM2 environmental housing, the finished assembly performs well in environments ranging from 5°F to 140°F (-15°C to 60°C) for HHCWM, or -40°F to 140°F (-40°C to 60°C) for HHCWM2.



Ordering	
HCW2S2	Network, Wide Dynamic, TDN, Indoor Box Camera, 1/2.8" Progressive Scan, CMOS, 1080p Resolution, 12 V DC/24 V AC/PoE IEEE 802.3af Class 0, H.264, NTSC
HCW2S2X	Network, Wide Dynamic, TDN, Indoor Box Camera, 1/2.8" Progressive Scan, CMOS, 1080p Resolution, 12 V DC/24 V AC/PoE IEEE 802.3af Class 0, H.264, PAL

NOTE: Honeywell reserves the right, without notification, to make changes in product design or specifications.

For more information:

www.honeywell.com/security

Automation and Control Solutions

Honeywell Security Products Americas
 2700 Blankenbaker Pkwy, Suite 150
 Louisville, KY 40299
 1.800.323.4576
www.honeywell.com

L/ESRSWDRD/D
 July 2014
 © 2014 Honeywell International Inc.