

HB73P

SUPER HIGH RESOLUTION 600 TVL TRUE DAY/NIGHT BULLET CAMERA WITH INFRARED ILLUMINATORS

The Performance Series rounds out Honeywell's camera portfolio with a variety of indoor, outdoor and low light cameras that lets end users pick the perfect camera for virtually any installation. Ideal for a diverse range of applications, the Performance Series includes a wide range of high performing IR bullet cameras and mini-domes that are easy to install and even easier to use.

The HB73P IR bullet-style camera comes standard with IR illumination, making it perfect for 24/7 surveillance. The HB73P utilizes smart infrared technology. Auto LED brightness adjustment provides even distribution of the IR, eliminating excessive illumination and washed out video. When the ambient light drops below a user-defined threshold, the 18 IR LEDs activate, a mechanical IR cut filter within the camera switches, and the camera changes automatically from color to black and white, capturing perfect color pictures by day and clear black and white images at night.

The 3.8 – 9.5 mm F1.4 aspherical Vari-focal Auto Iris lens offers a wide field of view range and no focus shift when the camera switches from day to night mode. Digital Noise Reduction (DNR) removes noise artifacts, increasing the performance of motion detection – giving users the ability to record for longer periods using their existing DVR unit.

The HB73P installs quickly and easily. It comes standard with a two-conductor pigtail that connects to the barrel connector so there is no need to cut wires during installation. The mounting bracket installs quickly and securely with three screws on walls or ceilings, indoors or out.

Market Opportunities

The HB73P is a cost effective surveillance solution for applications that experience changing light conditions throughout the day and require extra illumination at night. The HB73P offers a simple yet solid design that provides optimum performance for both indoor and outdoor applications including lobbies, atriums, vestibules, gated entrances, foyers, loading docks and driveways.

Features

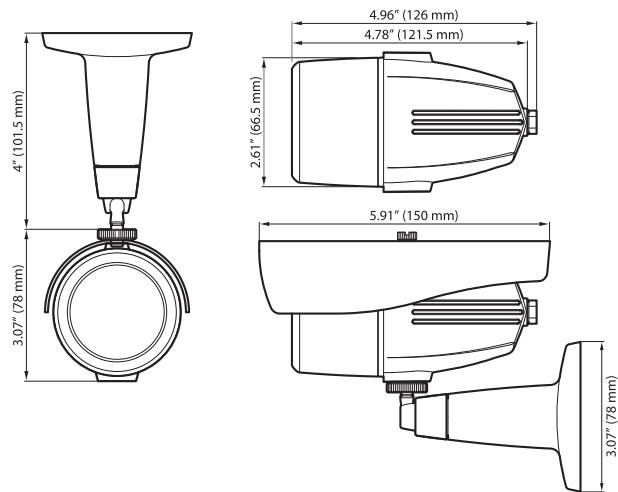
- 1/3" Interline Transfer CCD
- Super high resolution color: 600 TV lines
- True day/night with 18 LEDs
- Built-in 3.8 – 9.5 mm Vari-focal Auto Iris lens
- Digital Noise Reduction technology for noise free images
- Smart IR for even distribution of the IR to prevent excessive illumination
- Privacy zone, mirror function
- Easy to install mounting bracket reduces installation time
- Waterproof housing with IP65 rating
- Equalization valve prevents vacuum effect caused by sudden changes in barometric pressure
- IR LED visible range of ~65 ft. (20 m), depending on scene reflectance
- 3-D axis gimbal
- Video out port for setup
- Two-conductor pigtail is standard for connection to barrel connector
- 12 VDC input



SPECIFICATIONS

Operational	
Video Standard	NTSC, PAL
Scanning System	2:1 Interlace
Image Sensor	1/3" Interline Transfer CCD
Number of Pixels (H x V)	768 x 494 (NTSC) 752 x 582 (PAL)
Minimum Illumination	0.3 lux (Color) / 0 lux (IR LED On)
Horizontal Resolution	600 TVL
Video Output	1.0 Vp-p, composite @ 75 Ohms
Sync System	Internal
S/N Ratio	50 dB (AGC Off)
Auto Gain Control	On, Off (Adjustable)
Automatic Electronic Shutter	1/60 – 1/120,000 second (NTSC) 1/50 – 1/120,000 second (PAL)
White Balance	ATW, Manual, Push
Digital Noise Reduction (DNR)	Low, Middle, High, Off
IR LEDs	850 nm, 18 LEDs
IR Illumination Distance (dependent on scene reflectance)	~65 ft. (20 m) Depending on scene reflectance
SBLC	Low, Middle, High, Off
Day/Night	IRET, Color, B/W
Burst	On, Off
Lens Type	3.8 – 9.5 mm VFAI, F1.4
Angle of View	H: 70.7° - 29.2° V: 90.1° - 37.1°
Electrical	
Input Voltage	12 VDC
Input Range	12 VDC ± 10%
Power Consumption	4.8 W (max, IR on)
Mechanical	
Dimensions (W x H x D)	See Diagram
Weight	1.7 lb (0.800 kg) max
Construction	Housing: Die Cast Aluminum Dome: Polycarbonate Finish: Light gray powder coating
Connector	Main Video: BNC connector Power Input: 2.1 mm Plug

Environmental	
Temperature	Operating: 14°F to 122°F (-10°C to 50°C) Storage: -4°F to 140°F (-20°C to 60°C)
Relative Humidity	0% to 90% non-condensing
Rating	IP65
Accessories	
Power Supplies	
HPT12DC500	12 VAC / 500 mA Plug-in Regulated 2.1 mm Coaxial Plug UL Listed/CSA Certified
Regulatory	
Emissions	FCC, CE (EN55022) Class A
Immunity	CE (EN50130-4)
Safety	EU: EN 60065



Ordering	
HB73P	1/3" CCD Super High Resolution IR Bullet Camera, 600 TVL, 18 LEDs, 3.8 – 9.5 VFAI Lens, 12 VDC, NTSC
HB73SPX	1/3" CCD Super High Resolution IR Bullet Camera, 600 TVL, 18 LEDs, 3.8 – 9.5 VFAI Lens, 12 VDC, PAL

Automation and Control Solutions

Honeywell Systems
2700 Blankenbaker Pkwy, Suite 150
Louisville, KY 40299
1.800.323.4576
www.honeywell.com

L/HB73PD/D
September 2011
© 2011 Honeywell International Inc.

Honeywell