

HCD81484

www.honeywellvideo.com

HIGH RESOLUTION, TRUE DAY/NIGHT BULLET CAMERA WITH 18 IR LEDs

This discreet, bullet-style camera comes standard with high resolution and IR illumination, making it perfect for 24/7 True Day/Night surveillance.

Catch all the action 24 hours a day — even in complete darkness — with the True Day/Night camera and built-in infrared LEDs with sensors. When the ambient light drops below a certain point, a mechanical IR cut filter within the camera switches and the camera changes from color to black and white, ensuring perfect color pictures are captured by day and clear black and white images at night. And there's no focus shift when the camera switches.

The sleek, futuristic bullet styling is visually appealing, yet impact resistant. The attractive, polished machined aluminum enclosure comes with a protective sunhood.

The HCD81484 is more secure than a box camera. It is difficult to knock out of position with its ball and socket design. Swivel the camera into place, then lock it down with the tamper resistant screws. The discreet, track mount installation uses locking security screws and concealed wiring so the wires cannot be cut or the camera disconnected or tampered with.

For easy installation indoors or out, the HCD81484 mounts in minutes to a wall or ceiling. A metal mounting plate provides ease of installation onto electrical boxes.

Market Opportunities

The Honeywell HCD81484 is designed for cost effective, high resolution 24/7 surveillance applications that have changing light conditions through the day and require extra illumination at night. This includes general indoor and outdoor surveillance applications in banking, offices, hotels, bars, restaurants, parking garages, playgrounds, commercial buildings, warehouses, industrial and manufacturing sites, schools, universities, day care centers, and retail.

Features

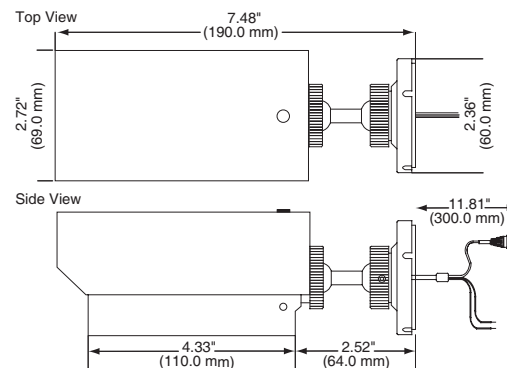
- Discreet, bullet-style camera with switchable IR cut filter and 18 IR LEDs
- Impact and tamper resistant
- 4.0 – 9.0 mm Vari-focal Auto Iris lens built-in
- 480 TVL
- Flexible mounting options
- Wall or ceiling mounts
- Polished aluminum enclosure with protective sunhood
- Standard line lock in 24 VAC operation
- One power connection self-configures to 12 VDC or 24 VAC with transient surge protection



SPECIFICATIONS

Operational	
Video Standard	NTSC
Scanning System	525/60 lines (NTSC)
Image Sensor	1/3" CCD
Number of Pixels (H x V)	HCD81484: 768 x 494
Minimum Illumination	0 lux, operates in complete darkness
Horizontal Resolution	480 TVL
Video Output	1.0 Vp-p @ 75 Ohms
Sync System	12 VDC: Internal 24 VAC: (Line lock)
S/N Ratio	46 dB or more (AGC Off)
Auto Gain Control	Off/On, selectable
ALC	Direct drive Auto Iris lenses
Automatic Electronic Shutter	1/60 – 1/100,000 sec (NTSC) 1/50 – 1/100,000 sec (PAL)
Lens Type	4.0 – 9.0 mm Vari-focal Auto Iris, F1.5
White Balance	AWB/ATW
Line Lock Phase Adjustment	Adjustable line lock vertical phase
BLC	On/Off
Gamma	0.45
IR LEDs	850 nm, 18 LEDs
IR Sensitivity	800 – 1000 nm (with illuminators on)
IR Illumination Distance	43 ft (13m)
Electrical	
Input Voltage	12 VDC/24 VAC
Input Range	11 – 16 VDC 17 – 32 VAC
Surge Suppression	1.5 kW transient
Power Consumption	5.0 W (max) @ 12 VDC with IR LEDs on 8.0 W (max) @ 24 VAC with IR LEDs on

Mechanical	
Dimensions	See diagram
Weight	1.25 lb (0.57 kg)
Construction	Housing: Polished aluminum with sunhood Finish: Polished aluminum
Connector	Video Output: BNC Connector Power Input: Tinned leads
Environmental	
Temperature	Operating: -13° F to 122° F (-25° C to 50° C) Storage: -13° F to 122° F (-25° C to 50° C)
Relative Humidity	0% to 85%, non-condensing
Rating	NEMA 4X
Regulatory	
Emissions	FCC, CE (EN55013)
Immunity	CE (EN50130-4)
Safety	UL2044, EU: 73/23/EEC LVD
Accessories:	
Transformers	
HPT2440	24 VAC, 40 VA Class 2 plug-in with thermal cut-out
HPT12DC1000	12 VDC, 1000 mA plug-in regulated 2.1 mm coaxial plug UL Listed/CSA Certified
Power Supplies	
UL Listed	Description
HPTV2404UL	4 A, 4 Output
HPTV2408UL	4 A, 8 Output
HPTV2416UL	8 A, 16 Output



Ordering	
HCD81484	1/3" CCD High Resolution, True Day/Night Camera, True Day/Night, 480 TVL, NTSC

NOTE: Honeywell reserves the right, without notification, to make changes in product design or specifications.

Honeywell Security & Data Collection

Honeywell
2700 Blankenbaker Pkwy, Suite 150
Louisville, KY 40299
1.800.796.CCTV (2288)
www.honeywell.com

L/HCD81484D/D
November 2008
© 2008 Honeywell International Inc.