

## HD4D3H

### HIGH RESOLUTION VFAI LENS TRUE DAY/NIGHT INDOOR/ OUTDOOR MINI DOME CAMERA

Honeywell's 960H System Series of cameras provides a wide range of high-quality, feature-rich video surveillance options for indoor, outdoor, and low-light applications.

#### Superior Image Quality

- 1/3" 960H CCD image sensor
- Ultra high resolution image (700 TVL)
- 3D digital noise reduction
- Digital wide dynamic range
- Backlight compensation and highlight masking
- 2.8–12 mm varifocal auto iris (VFAI) lens

#### 24-Hour Surveillance

- True Day/Night with removable IR cut filter for vivid color pictures by day and clear black-and-white pictures at night
- Excellent low-light performance (0.19 lux color, 0.04 lux b/w)

#### Dependable Performance in Variable Light Conditions

- Weatherproof, impact-resistant housing (IP66)
- Built-in heater for cold weather operation down to  $-40^{\circ}\text{F}$  ( $-40^{\circ}\text{C}$ )
- Breather vent prevents condensation buildup

#### Easy Installation

- Compact design for fast, easy installation
- Camera converts easily to a surface or flush mount for direct installation to a ceiling or wall
- 3-axis rotation for precise camera positioning
- Second video output and on-board OSD controller for on-site adjustments
- Optional wall or pendant mount available
- Coax and UTP built in

#### Market Opportunities

The HD4D3H offers superb picture quality, true color reproduction, and enhanced low-light performance, making it the ideal solution for a range of indoor and outdoor surveillance applications including airports, university campuses, hospitals, schools, and government and commercial buildings.



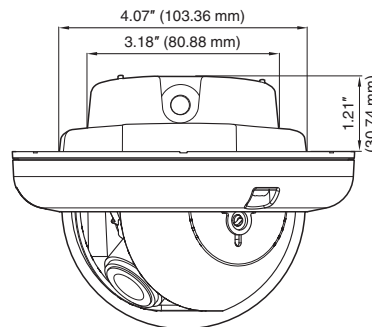
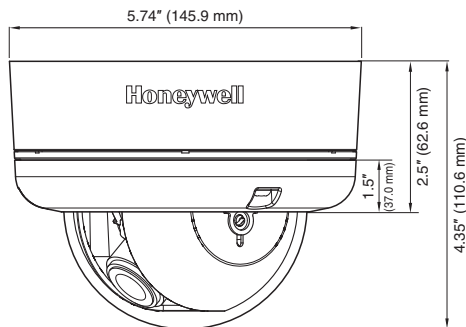
# HD4D3H

www.honeywellvideo.com

## SPECIFICATIONS

Operational	
Video Standard	NTSC
Image Sensor	1/3" 960H CCD
Number of Pixels (H×V)	976 × 494
Minimum Illumination	Color: 0.19 lux @ F1.4, 30 IRE B/W: 0.04 lux @ F1.4, 30 IRE
Horizontal Resolution	700 TVL
Video Output	1.0 Vp-p, composite @ 75 ohms
Sync System	12 V DC: Internal 24 V AC: Internal/Line lock
S/N Ratio	52 dB or more (AGC off)
Auto Gain Control	Level adjustable (0–20)
Automatic Electronic Shutter	1/60 to 1/120,000 s
Lens Type	2.8–12 mm, VFAI, F1.4
Gamma	0.45
Sense-Up	×2 to ×512
3D DNR	Off/Low/Mid/High
Motion Detection	4 programmable zones
Privacy Mask	8 programmable zones
White Balance	ATW//Push/Manual
BLC/HME	Low/Middle/High
WDR/Defog	Auto/Manual

Electrical	
Input Voltage	12 V DC/24 V AC ±10%
Power Consumption	12 V DC: 8.4 W max. (heater on) 24 V AC: 11.0 W max. (heater on)
Mechanical	
Dimensions	5.74 × 4.35 in. (145.9 × 110.6 mm)
Weight	2.5 lb (1.1 kg)
Construction	Housing: Die-cast aluminum Bubble: Polycarbonate
Connectors	Main video: BNC (coax) Aux video: 2-pin connector Power input: 2.1 mm plug
Environmental	
Temperature	Operating: –40°F to 131°F (–40°C to 55°C) Storage: –40°F to 167°F (–40°C to 75°C)
Relative Humidity	10% to 100%, condensing
Rating	IP66
Regulatory	
Emissions	FCC, Part 15B, Class A
Recommended Accessories	
Housing Mount	
HD4CHIP-WK	Wall Mount Kit
HD4CHIP-PK	Pendant Mount Kit
Power Supply	
HPTV2404UL	24 V AC, 4 A, 4 Output, Fused, UL Listed



## ORDERING

Ordering	
HD4D3H	TDN Indoor/Outdoor Mini Dome Camera, 1/3" CCD, 700 TVL, 2.8–12 mm VFAI, 12 V DC/24 V AC, NTSC

**NOTE:** Honeywell reserves the right, without notification, to make changes in product design or specifications.

### For more information:

www.honeywell.com/security

### Automation and Control Solutions

Honeywell Security Products Americas  
2700 Blankenbaker Pkwy, Suite 150  
Louisville, KY 40299  
1.800.323.4576  
www.honeywell.com

L/HD4D3HD/D  
May 2015  
© 2015 Honeywell International Inc.