

HDZ SERIES – 1080p HD IP PTZ DOMES www.honeywellvideo.com

equiP® SERIES 1080p TRUE DAY/NIGHT INDOOR/OUTDOOR NETWORK PTZ CAMERA

Honeywell's latest addition to the equiP® Series of IP-based products, the high definition, True Day/Night HDZ PTZ series provides extremely crisp video with up to 2 million effective pixels and up to 20x zoom for continuous surveillance in outdoor and indoor applications.

HDZ provides 1080p (1920 x 1080) resolution at full frame rate, a 360° continuous rotation function and a zoom lens which combine to give you the flexibility to clearly view a target area with desired width and depth. The 1/2.8" progressive scan CMOS sensor offers the latest in digital video surveillance technology with accurate color rendition through a wide variety of lighting conditions. HDZ also supports the ONVIF specification for interoperability between network video products.

Installing either the indoor or outdoor model is fast and simple. HDZ supports Power over Ethernet (PoE Plus) or 24 V AC to power the unit (24 V AC required for outdoor model with heater). In the event of a failure with the network, HDZ has the option to record captured video to a Micro SDHC providing an additional level of security to the user. HDZ is also equipped with Wide Dynamic Range (WDR), which is ideal for environments with high contrast and changing light conditions.

The outdoor version HDZ Series camera is housed by an IP66 rated tamper-resistant dome to prevent the camera from damage by ingress of dust and heavy rain.

HDZ supports dual video streams and adopts multiple compression formats (H.264/MJPEG) with rates up to 30 frames per second (25 fps for PAL systems). The digital compression parameters for the two video streams are independently configurable.

Market Opportunities

The combination of the latest digital technology and advanced video processing makes HDZ ideally suited for large-scale surveillance in cities, roadways, airports, casinos, government facilities, schools and campuses, industrial environments and anywhere detailed surveillance is essential.

Features

- 20x optical zoom
- On board camera storage – Micro SDHC card support (up to 32 GB)
- Up to 30 fps (25 fps PAL) progressive scan
- Wide Dynamic Range
- ONVIF compatible
- Supports both dynamic and static IP addresses
- Wide range of mounting options available (1.5" NPT)
- High preset speed up to 400°/sec
- Selectable compression formats
- Choice of 24 V AC or PoE+ power inputs (24 V AC required for outdoor model with heater)
- Vandal proof acrylic



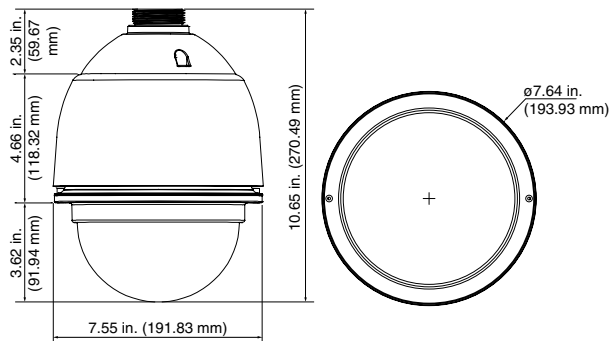
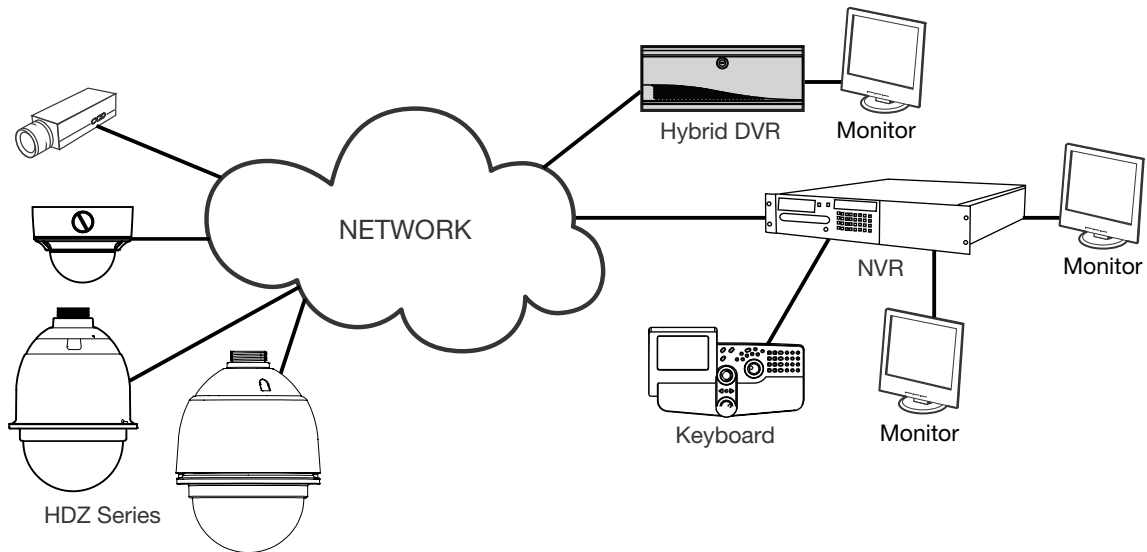
HD



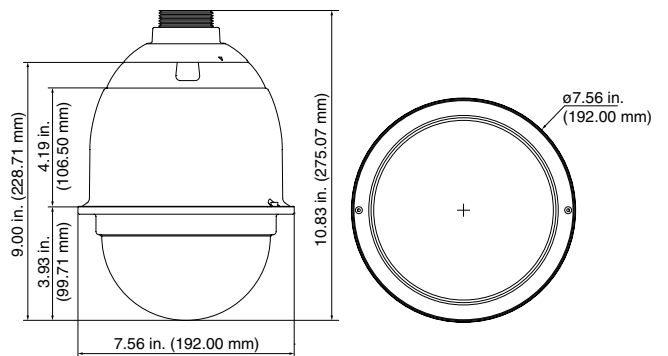
HDZ SERIES – 1080p HD IP PTZ DOMES www.honeywellvideo.com

SYSTEM DIAGRAM AND DIMENSIONS

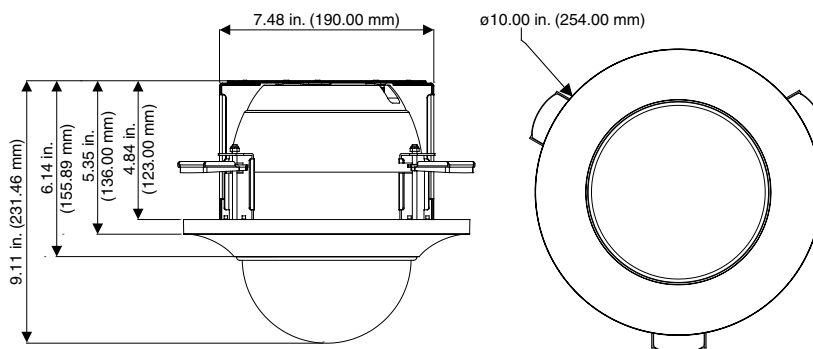
System Diagram



Outdoor Pendant



Indoor Pendant



Using In-Ceiling Bracket

HDZ SERIES – 1080p HD IP PTZ DOMES www.honeywellvideo.com

SPECIFICATIONS

Camera		
Scanning System	NTSC/PAL	
Image Sensor	1/2.8" Sony Progressive CMOS	
Optical Zoom	20x	
Number of Pixels (H x V)	1920 x 1080 (1080p)	
S/N Ratio	> 50 dB (AGC Off)	
Minimum Illumination	0.05 lux (color)/0.01 lux (B/W) @ F1.6, 30 IRE	
Focal Length	4.7 to 94 mm	
Focus Mode	Auto/Manual	
White Balance	Auto/Indoor/Outdoor/ATW/Manual	
Iris Control	Auto/Manual	
Electronic Shutter	1/1 to 1/10k sec.	
AGC	Auto/Manual (Max Gain limit settings for Full Auto, Shutter Priority, and Iris Priority modes)	
Backlight Compensation	On/Off	
Operational		
Multi-Language GUI	English, French, German, Italian, Russian, Spanish, Portuguese, Dutch, Czech, Polish, Chinese	
Pan Travel	360° endless	
Tilt Travel	-10° to 190°	
Manual Pan Speed	0.5° to 200°/s	
Manual Tilt Speed	0.5° to 84°/s	
Presets	256	
Preset Accuracy	0.225°	
Preset Speed	Up to 400°/s	
Preset Tours	8	
Auto Pan	4	
Mimic Tours	8	
Privacy Masks	16	
Proportional Pan and Tilt	On/Off (Pan and tilt speed proportional to zoom ratio)	
Auto Resume After Power Failure	Yes	
Home Function	Preset, Preset tour, Auto pan, Mimic tour	
Auto Flip*	Mechanical/Digital/Off	
Digital Slow Shutter	On/Off	
Motion Detection	On/Off	
Wide Dynamic Range	On/Off	
Day/Night: IR Cut Filter	Auto/On/Off	
Image Rotation	Flip/Mirror/Inverse/Portrait	
Noise Reduction	2D On/Off	
Communication	ONVIF Support	
Alarm	Inputs	x 4
	Outputs	x 2
Alarm Reaction	Preset, Preset tour, Auto pan, Mimic tour	
Event Notification	HTTP, FTP, SMTP	

	HDZ Indoor	HDZ Outdoor
Electrical		
Power Source	24 V AC ± 10% and PoE+ (IEEE 802.3at-2009)	24 V AC ± 10% and PoE+ (IEEE 802.3at-2009) (24 V AC required if heater used)
Power Consumption	20 W	50 W (with heater)
Mechanical		
Dimensions	ø7.55" x 10.83" ø192 x 275.07 mm	ø7.64" x 10.65" ø193.96 x 270.49 mm (with sunshield)
Weight	4.85 lb (2.2 kg), with in-ceiling bracket: 6.83 lb (3.1 kg)	5.73 lb (2.6 kg), with sunshield
Environmental		
Operating Temperature	32°F to 104°F (0°C to 40°C)	-49°F to 131°F (-45°C to 55°C)**
Relative Humidity	10% to 90%, non-condensing	
Waterproof Standard	IP66 standard (HDZ Outdoor)	
IP Specifications		
Video Compression	H.264 Main Profile/MJPEG	
Video Streaming	Dual streaming: H.264 and MJPEG Controllable frame rate and bandwidth Constant or variable bit rate	
Video Resolution	Up to 1920 x 1080p	
Frame Rate	Up to 30/25 fps	
Audio Compression	G.711/G.726 ADPCM/AAC	
Audio Stream	Full-duplex, Simplex	
Interface	RJ-45, 10/100 Mbps Ethernet	
Supported Protocols***	IPv4/v6, TCP/IP, UDP, RTP, RTSP, HTTP, HTTPS, ICMP, FTP, SMTP, DHCP, PPPoE, UPnP, IGMP, SNMP, IEEE 802.1x, QoS, ONVIF	
Simultaneous Users	3 at 1080p/5 at D1 (NTSC: 720x480, PAL: 720x576)	
Security	User account and password protection HTTPS, IP Filter, IEEE 802.1x	
Micro SD	Support for Micro SDHC up to 32 GB (card not included)	
Micro SD Function	Event trigger recording Continuous and scheduled recording Automatic recording when network fails	
Supported Web Browsers	Internet Explorer (8.0+)	
Supported OS	Windows 7 32-bit/64-bit	
Regulatory		
Emissions	EN55022, FCC Part 15B	
Immunity	EN50130-4	
Safety	EU: EN60950-1, EN60950-22	

Notes: * May be some image loss during digital image flipping point.

** Protecting the dome from direct sunlight in high temperature environments is advised.

*** Some development may be required in specific user cases to support some of these protocols in the field as naturally the protocols will mature over time.

HDZ SERIES – 1080p HD IP PTZ DOMES www.honeywellvideo.com

ACCESSORIES, SYSTEM COMPATIBILITY AND ORDERING

Accessories	
HDZVRSMKAC	Smoked Polycarbonate Vandal Proof Acrylic for HDZ Series
HDZINBKT	In-Ceiling Mounting Bracket for HDZ Series
517082-7130	In-Ceiling PTZ Support Plate (for use with HDZINBKT in-ceiling Mount)
HDVWM1	Indoor Only Wall Mount
HDXWM2	Indoor and Outdoor Wall Mount
HDPRM2	Parapet and Roof Mount
HDCM1	Ceiling Mount for Indoor Pendant (not for outdoor use)
HDXPMA2	Pole Mount Adapter for HDXWM2
HDXCMA1	Corner Mount Adapter for HDXWM2

System Compatibility	
(Note: For latest system compatibility information, visit www.honeywellvideo.com)	
Open IP Integration	
ONVIF support for interoperability between Honeywell and other manufacturer's IP-enabled security devices (version 1.02)	
Honeywell Device Integration	
Recorders	
Fusion NVR/DVR	8, 16 and 32 Channel Network Video Recorders (version 4.50.10806 and greater)
MAXPRO® NVR Family	Entry to Enterprise Level Network Video Recorders (version 2.5 build 29 and greater)
Enterprise NVR Series	Enterprise Class Digital Network Video Recorder System (pending release 5.87.15 and greater)
DVM	Digital Video Manager (version 400.2 and 500)

Ordering	
HDZ20HD	Network TDN Indoor Pendant PTZ Dome, 1080p Resolution, 4.7 - 94 mm Lens, 24 V AC/PoE+ IEEE 802.3at-2009, 20x Zoom, H.264, NTSC, Micro SDHC Compatible (Supports up to 32 GB cards)
HDZ20HDE	Network TDN Outdoor Pendant PTZ Dome, 1080p Resolution, 4.7 - 94 mm Lens, 24 V AC/PoE+ IEEE 802.3at-2009, 20x Zoom, H.264, NTSC, Micro SDHC Compatible (Supports up to 32 GB cards)

Note: 'ONVIF' and  are trademarks of ONVIF Inc.



For more information:

www.honeywell.com/security

Automation and Control Solutions

Honeywell Security Products Americas
 2700 Blankenbaker Pkwy, Suite 150
 Louisville, KY 40299
 1.800.323.4576
www.honeywell.com



L/HDZSD/D
 July 2013
 © 2013 Honeywell International Inc.