

## HMC14HRX

### HIGH-PERFORMANCE CRT MONITOR WITH OSD

The Honeywell HMC14HRX is a high quality 14-inch color monitor with on-screen display (OSD). This high-performance color monitor is designed with advanced color processing (ACP) technology for enhanced color purity and color transition.

This monitor offers 400 lines of resolution and allows the user to adjust the picture's sharpness, contrast, brightness, color and tint through a user-friendly OSD interface to maximize picture quality. The OSD, which comes in five different languages, offers an easy and quick way to set up the display settings. Additionally, OSD allows great flexibility in existing installations when changes in video and audio inputs are needed.

These monitors provide multiple video and audio channels, automatic multi-standard adaptation and unsurpassed picture quality in a user friendly and ergonomic design. The over/underscan feature on the monitors also allows maximum utility with multiplexing systems.

#### Market Opportunities

The HMC14HRX is ideal for an optimal viewing distance of six feet or less. These professional monitors provide outstanding color reproduction for security and surveillance applications where video quality cannot be compromised.

The HMC14 can be either rack mounted using an optional rack mount kit (HMC14HRRK1) or placed on a desktop

#### Features

- Advanced color processing technology
- High performance with comb filter
- On-screen display (OSD) controls in five languages
- Multi-channel video inputs - A/B (composite), Y/C with independent settings
- Two-channels of looping audio inputs
- Universal power (100 to 240 VAC) with detachable power cord
- Automatic NTSC/PAL scan system selectable
- Over/underscan switchable on front
- Sharpness control through OSD
- 19" standard rack mount available



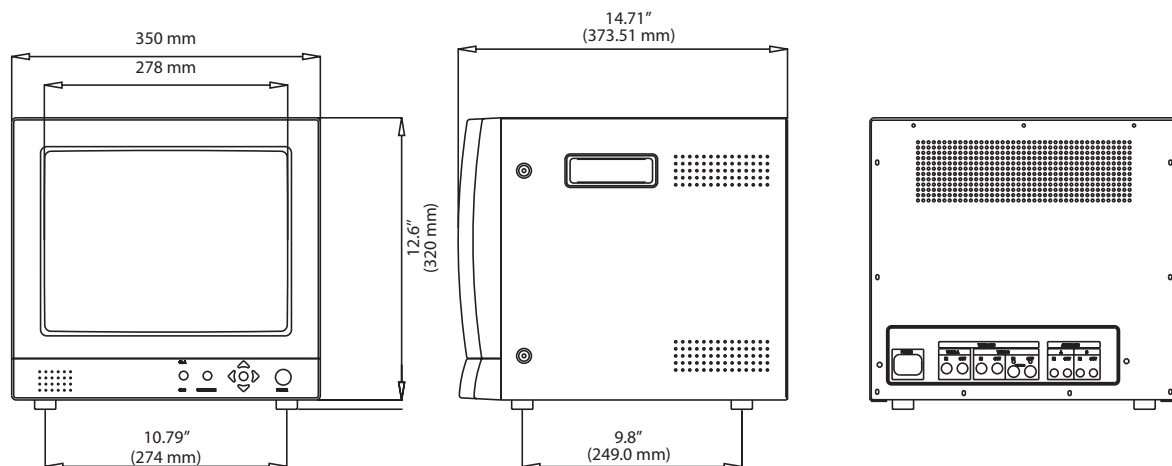
# HMC14HRX

www.honeywellvideo.com

## SPECIFICATIONS

Video	
Video Standard	NTSC or PAL
Input Signal Video	1.0 Vp-p @ 75 Ohms composite S-video (Y/C) Y sig.= 0.7 V p-p C sig.= 0.3 Vp-p @ 75 Ohms
Deflection	90° angle
Bandwidth	5 Mhz
Resolution	400 TV lines (average)
Horizontal Scanning Frequency	15.625 kHz for NTSC/ 15.75 kHz for PAL
Vertical Scanning Frequency	60 Hz for NTSC/50 Hz for PAL
Over/Under Scan	7% overscan, 3% underscan switchable
Horizontal Linearity	10% max
Vertical Linearity	10% max
Front Panel Controls	• Menu • Up • Down • Left • Right • Video • Under/Over Scan • Power • OSD Control
Back Panel Controls	Y/C Impedance
Electrical	
Operating Voltage	100 to 240 VAC, 50 to 60 Hz
Power Consumption	70 W (Maximum)
Power Cable	NEMA 5-15P, UL

Mechanical	
Dimensions (W x H x D)	13.8" x 13.0" x 14.7" (350 mm x 330 mm x 373.5 mm)
Weight	Unit: 30.8 lbs. (14.0 kg)
Construction	Housing: Steel Finish: Gray
Video Inputs	2 x BNC (auto terminating) 1 x Y/C Mini DIN 4-pin connector
Video Outputs	2 x BNC (auto terminating) 1 x Y/C Mini DIN 4-pin connector
Audio Input	2 x RCA phone connector 300 mVrms
Audio Output	2 x RCA phone connector 300 mVrms
Environmental	
Temperature	Operating: 32° F to 104° F 0° C to 40° C Storage: 14° F to 122° F -10° C to 50° C
Relative Humidity	10% to 90% (non-condensing)
Regulatory	
Emissions	FCC: Part 15, Class B Canada ICES-003
Immunity	CE: EN 50130-4
Safety	UL: UL1950 cUL: CSA C22.2 No. 950 DHHS Rules 21
Accessories	
HMC14HRRK1X	14" rack mount kit, gray



Ordering	
HMC14HRX	14 inch Color High Performance (gray cabinet)

**NOTE:** Honeywell reserves the right, without notification, to make changes in product design or specifications.

### Honeywell Security

Honeywell Video Systems  
2700 Blankenbaker Pkwy, Suite 150  
Louisville, KY 40299  
1.800.796.CCTV  
www.honeywell.com

L/HMC14HRX/D  
July 2007  
© 2007 Honeywell International Inc.