

## HTCD50 and HTCD52 Series

www.honeywellvideo.com

### MOBILE DIGITAL CAMERAS

As the video surveillance industry increasingly moves from analog to digital solutions, Honeywell's HTCD50 and HTCD52 Series of digital cameras offers a total solution for mobile opportunities. The HTCD50 and HTCD52 Series of cameras provides images that are more advanced and superior in quality compared to the traditional analog cameras. The HTCD50 and HTCD52 Series of cameras offers easy identification of individuals involved in mobile incidents.

The HTCD50 and HTCD52 Series digital cameras utilizes progressive scan technology to capture superior picture quality over analog cameras. They are also designed with power over Ethernet technology to simplify installation of cameras using a single cable for power and signal.

The HTCD52 Series incorporates a second window to extend the camera angle of view. This unique design provides the added flexibility of changing the camera angle of view without having to remount the camera.

#### Market Opportunities

For organizations managing vehicles, such as school buses and sanitation trucks, the HTCD50 and HTCD52 Series cameras provide high-quality images regardless of motion frequency. Due the impressive image quality of the HTCD50 and HTCD52 Series, the cameras can meet the needs of even the most demanding vehicle owners or operators. With this industry-leading total digital solution, Honeywell provides comprehensive, easy-to-use video data from inside and outside of vehicles that can be effortlessly downloaded for analysis and storage.

#### Features

- High-impact, tamper resistant housing
- All-digital camera — provides both video and audio in a digitized data format
- Optional microphone
- Easy to install — designed to be mounted on a bulkhead, wall or ceiling
- User selectable compression, resolution and frame rates
- Extended angle of view with two windows (HTCD52 Series)
- Concealed wiring
- Comes fully assembled and pre-focused



HTCD52 Series



HTCD50 Series

# HTCD50 and HTCD52 Series

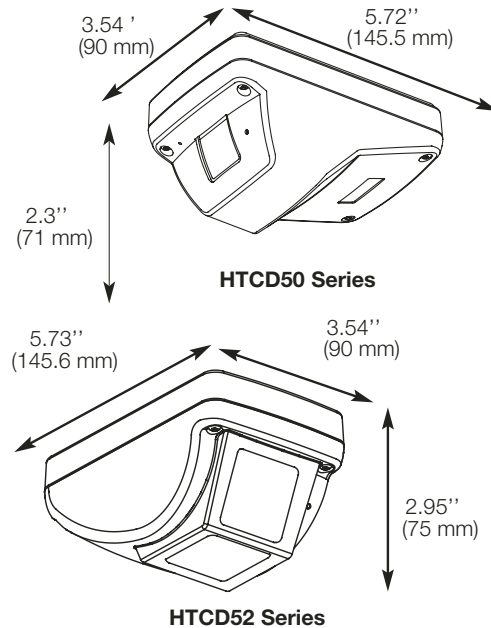
www.honeywellvideo.com

## SPECIFICATIONS

Operational	
Video Standard	JPEG
Scanning System	Progressive scan
Image Sensor	1/3" CMOS Sensor, 307k pixels
Number of Pixels (H x V)	640 x 480 (VGA) 320 x 240 (QVGA)
Minimum Illumination	<3.0 lux @ F1.4
Video Output	1 Vp-p @ 75 Ohms
S/N Ratio	Auto
Auto Gain Control	less than 240 seconds (T-180 VHS tape)
Automatic Electronic Iris	1/60 to 1/15,734 seconds
Auto Image Correction	Brightness, Exposure, White Balance (color camera only)
Lens Type	Fixed with auto iris
Audio Output	Optimized audio bandwidth
Electrical	
Input Voltage	12 VDC
Input Range	8 – 16 VDC regulated
Surge Suppression	1.5 kW transient
Power Consumption	3.0 W maximum
Mechanical	
Dimensions (W x H x D)	See line drawing
Weight (without cables)	HTCD50: 1.81 lbs (8.18 kg) HTCD52: 1.84 lbs (8.36 kg)
Construction	Housing: Die cast aluminum alloy base with polycarbonate cover Window: Scratch-resistant acrylic Finish: Off-white Matte
Connectors	Video Output:RJ-45 Audio Output:RJ-45 Power Input: Power over Ethernet

Environmental	
Temperature	Operating: 32°F to 113°F (0°C to 45°C) Storage: -40°F to 149°F (-40°C to 65°C)
Relative Humidity	0% to 90% RH non-condensing
Accessories	
Camera Cables	
HTCBLCAT5E20	Cat5 Cable, 20 Feet
HTCBLCAT5E40	Cat5 Cable, 40 Feet
HTCBLCAT5E60	Cat5 Cable, 60 Feet
Compatible Recorder	
HTRD400 Series	4 Channel Mobile Digital Recorder

Field of View	3.6 mm	6.0 mm	8.0 mm	12.0 mm
Horizontal	74°	42°	32°	22°
Vertical	55°	32°	24°	17°



## Ordering

HTCD50 M C 080	
Series Options HTCD50 HTCD52	Lens Options 036 3.6 mm    080 8.0 mm 060 6.0 mm    120 12.0 mm
M Microphone (audio)	Camera Options B B/W Sensor C Color Sensor

**NOTE:** Honeywell reserves the right, without notification, to make changes in product design or specifications.

### Honeywell Security

Honeywell Video Systems  
2700 Blankenbaker Pkwy, Suite 150  
Louisville, KY 40299  
1.800.796.CCTV  
www.honeywell.com

L/HTC5052/D  
June 2007  
© 2007 Honeywell International Inc.

# Honeywell