

HUTP652R

ACTIVE UTP VIDEO RECEIVER

The Honeywell HUTP652R video receiver is an active (amplified) device that allows the transmission of real-time monochrome or color video up to one mile (1.6 km) using Category-2 or 3 unshielded twisted pair (UTP) telephone wire, or up to 1.5 miles (2.4 km) (NTSC) using Category-5 or better cable.

The unparalleled interference rejection and low emissions of the HUTP652R allow long run video signals to co-exist in the same wire bundle as telephone, datacom, or low-voltage power circuits. This enables the use of shared or existing cable.

Ground-lifting ensures no annoying hum-bars when ground potential differences exist. With built-in transient protection, damaging voltage spike problems are eliminated. The built-in sharpness and brightness controls compensate for cable loss

Market Opportunities

The HUTP652R active UTP video receiver is an ideal solution for receiving video signals at distances greater than 750 ft (225m) and up to 3000 ft (914m) with another Honeywell passive video transceiver, or at distances up to 8000 ft from the HUTP653T Honeywell active video transmitter.

UTP transmission is ideally suited for markets such as gaming, retail and education. The HUTP652R

Features

- Full-motion CCTV video at distances up to 3000 ft (1 km) when used with any passive Honeywell transceiver
 - 5280 ft (1.6 km) when used with HUTP653T transmitter and Cat-2 or 3 wire
 - 8000 ft (2.4 km) NTSC when used with HUTP653T and Cat-5 wire
- One floating power supply powers multiple HUTP652R receivers
- Exceptional interference rejection
- Built-in transient protection and ground lifting
- Built-in brightness and sharpness controls; blue power LED, green active LED
- Compatible with qualified UTP cameras
- Best choice for DVR and high resolution applications over 750 ft (225m)



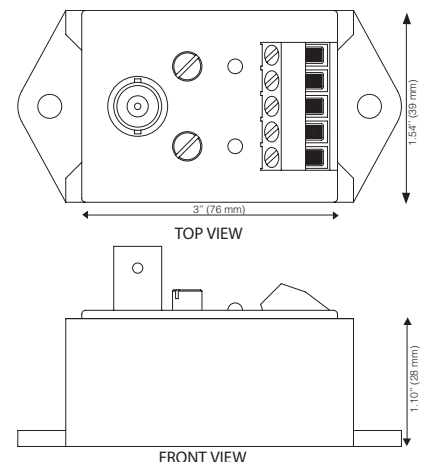
HUTP652R

www.honeywellvideo.com

SPECIFICATIONS

Video	
Frequency response	DC to 5 MHz
Adjustable Brightness & Sharpness Controls	Infinitely adjustable low and high frequency trim pots
Common-mode / Differential-mode rejection (15 KHz to 5 MHz)	60 dB type
Impedance	Coax, female BNC 75 Ohms UTP, Screw Terminal Block 100 Ohms
Wire Type	
Network Wiring	One Unshielded Twisted Pair 24-16 AWG (0.5 -1.31 mm)
Category Type	2 or better
Impedance	100 ± 20 Ohms
DC Loop Resistance (24 AWG)	52 Ohms per 1000 ft (18 Ohms per 100m)
Differential Capacitance	19 pF/ft max (62 pF/m max)
Wire Length	750 ft to 3000 ft when receiving from a passive transmitter.
	3000 ft to 8000 ft when receiving from an active transmitter.
Electrical	
Input Voltage	12–24 VAC/VDC
Input Range	+/- 10 %
Power Consumption	100 mA max

Environmental			
Temperature	32°F to 122°F (0°C to 50°C)		
Relative Humidity	0 to 95% (non-condensing)		
Transient Immunity	Per ANSI / IEEE 587 C62.41		
Mechanical			
Dimensions (excluding connector)	3.00" x 1.54" x 1.10" (76 mm x 39 mm x 28 mm)		
Weight	0.25 lb (0.1134 kg)		
Construction	Housing: ABS Finish: Black		
LED Indicators	Blue Power-On; Green Active signal present		
Mounting	Two 0.175" (4.4 mm) diameter holes 2.5" (63.5 mm) apart		
Accessories			
Transformers			
HPT2420	24 VAC, 20 VA Class 2 plug-in with thermal cut-out		
HPT12DC500	12 VDC, 500 mA plug-in regulated 2.1 mm coaxial plug UL listed/CSA Certified		
Power Supplies			
UL Listed	Fused	Smart Fused	Description
HPTV2404UL	HPTV2404	HPTV2404CB	4 A, 4 Output
HPTV2408UL	HPTV2408	HPTV2408CB	4 A, 8 Output
HPTV2416UL	HPTV2416	HPTV2416CB	8 A, 16 Output



Ordering	
HUTP652R	Single channel active UTP receiver

NOTE: Honeywell reserves the right, without notification, to make changes in product design or specifications.

Honeywell Security

Honeywell Video Systems
2700 Blankenbaker Pkwy, Suite 150
Louisville, KY 40299
1.800.796.CCTV
www.honeywell.com

L/HUTP652R/D
January 2008
© 2008 Honeywell International Inc.

Honeywell