

MAXPRO® NVR XE (Xpress Edition)

www.honeywellvideo.com

8-CHANNEL ENTRY LEVEL NETWORK VIDEO RECORDER (NVR)

Honeywell's MAXPRO® NVR XE is an ideal solution for entry into IP video surveillance systems. MAXPRO NVR XE utilizes Honeywell's HD cameras to offer a powerful high definition IP recording and security monitoring system for small installations. MAXPRO NVR XE has an open platform with broad integration with third party IP cameras and encoders. MAXPRO NVR XE offers the advantage of HD quality IP video but is as easy as a DVR to setup and operate for a seamless transition from analog to IP.

MAXPRO NVR XE is an open platform and supports broad third party device integrations with support for standards—PSIA and ONVIF (including Profile-S devices), real time streaming protocol (RTSP) standard and native device integrations including new 360° camera support. MAXPRO NVR XE provides easy to use desktop clients and mobile apps—MAXPRO® Mobile.

MAXPRO NVR XE comes pre-installed with all required software and is also pre-licensed for 8 channels allowing up to 8 cameras to be added anytime later as your system grows. This, along with an easy 3-Click wizard to live video for auto configuration, makes installing an IP system quick and efficient without requiring any IT expertise. Simple and logical configuration pages make setup a breeze even for the novice installer.

The MAXPRO NVR XE user interface is based on Honeywell's flagship MAXPRO® VMS user interface which offers a feature rich user experience and is common across the MAXPRO NVR Family. Utilization of this familiar interface allows for the "Learn One, Know Them All" concept that ensures familiarity across a broad range of Honeywell products saving training costs.

MAXPRO NVR XE supports simultaneous recording, live monitoring search and system management for up to 8 IP cameras including high definition formats. Multiple MAXPRO NVRs can be deployed for system expansion using a distributed architecture and integrated with the MAXPRO® Viewer multi-site software or MAXPRO® VMS enterprise video management system.

MAXPRO NVR XE utilizes powerful processor and memory technology supporting multiple simultaneous operations such as alarm monitoring, video recording and video viewing. On the local unit, 4 cameras can be viewed at a time (2x2 salvo), without the need for an additional workstation. There is also the option of remote monitoring, which supports viewing of all 8 cameras at a time—and a variety of salvo layouts. End users can view live video while simultaneously performing searches.

MAXPRO NVR XE also offers advanced features useful to entry level customers. Honeywell's patented Video Surround feature provides the ability to track subjects of interest as they move between areas covered by adjacent cameras by simply double-clicking on the panel where the subject is currently visible. Features such as the powerful calendar, preview search options and film strip view allow for rapidly searching video for scenes of interest and then quick export method transfers video to an authenticated video clip playable through Windows Media player.

Market Opportunities

The continual growth of cost-effective IP networks and the demand for HD video offered by IP cameras have led to the need for entry level IP surveillance solutions. This has resulted in a strong demand for an all-IP end-to-end security system deployment. MAXPRO NVR XE provides an easy entry into IP-based systems and the operational power to address the needs of a wide variety of applications including healthcare clinics, small commercial and retail, property management and many other applications. When the need is for an easy to install, simple to use, and feature rich entry level network video recorder, the solution is MAXPRO NVR XE.

Key Benefits

- As easy to install and operate as a DVR—no IT expertise required
- Reduced security threats with HD quality video
- Quick to install—3-Clicks to Live Video
- Local display of 4 cameras at one time (2x2 salvo)—no PC needed
- Open—support for PSIA, ONVIF, RTSP standards and native device integrations
- Low cable cost—no homeruns of cable from camera to unit



3-Clicks to Live Video



MAXPRO® NVR XE (Xpress Edition)

www.honeywellvideo.com

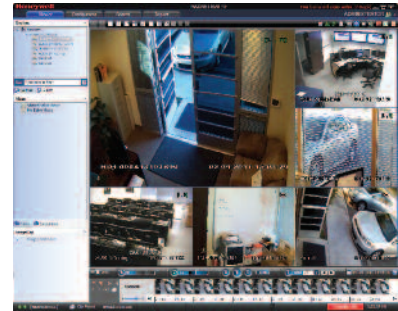
FEATURES

Software

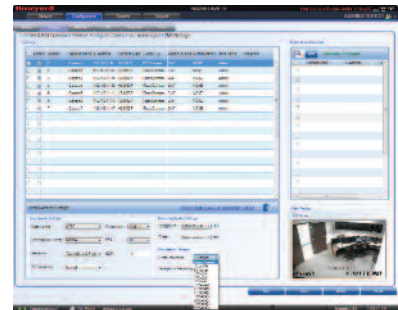
- MAXPRO NVR XE allows local or remote operations including live and recorded video monitoring, configuration and system management in a single desktop client interface.
- Support for mobile monitoring clients with MAXPRO Mobile apps.
- Broad device integrations: Honeywell cameras and encoders, third party devices with support for standards—PSIA and ONVIF (including Profile-S devices), RTSP standard and native device integration including new 360° camera support.
- Feature-rich, user-friendly Windows based interface to view HD video and configure system settings.
- Easy 3-click wizard to set up the system with auto-configuration and auto-discovery of IP cameras, recording and monitoring configuration—without any IP video expertise.
- Multi-zoom views on HD video. Example: Zoom in on a cash register in one view of the HD camera while at the same time monitoring the cash operator in the zoom out view of the HD camera.
- Ability to investigate events and alarms by simultaneously viewing alarm videos at various stages. For every alarm, users can view the video captured during pre-alarm, on-alarm, and post-alarm, and also view live video from the camera which triggered the alarm.
- Enriched video viewing experience through the intuitive video rendering engine that optimizes CPU utilization by altering the video frame rate.
- Honeywell's patented Video Surround feature simplifies the process of tracking subjects through a set of surrounding cameras.
- Create, save and name salvos under My Salvos or Shared Salvos.
- IP PTZ control and digital zoom on fixed cameras. 360° immersive viewing experience providing heightened situational awareness and increased video surveillance coverage.
- Fast search by date/time, time line, time jump, bookmarks, calendar, preview, film strip view and events. Increase productivity with more efficient search/investigation: Get to the relevant video in few clicks without having to review hours of recordings.
- Event history and operator log reporting with export in .pdf, Crystal Reports, Excel or Word.
- Capture and export clips and still images in simple .wmv and .bmp formats.
- Clips signed with digital signature for authentication.
- Supports multiple client connection to NVR Server.
- Separate event video and general recorded video retention times.
- Email notification on camera, system and operator events.
- Role-based operator privileges supporting Windows and local users.
- Flexible Motion detection (VMD) options with Server (Smart VMD) or Camera based motion events support. Reduced false alarms with object based motion detection analytics with Smart VMD.
- Keyboard control with UltraKey Plus and UltraKey Lite over Ethernet.
- Local and multi-language support.
- Multi-site support with MAXPRO Viewer.
- Integration with MAXPRO VMS.
- Integration with WIN-PAK® and Pro-Watch® Access Control Systems.

Hardware

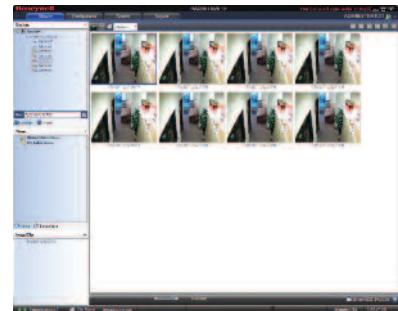
- Each unit records and monitors up to 8 cameras at 240 fps @ 4CIF/VGA or 80 fps @ 720p HD or 80 fps @ 1080p HD. Monitoring of 1080p and higher resolution cameras is only supported on remote clients. Network bandwidth/throughput supported per NVR with Incoming: 25 Mbps, Outgoing: 30 Mbps providing a Total: 55 Mbps.
- Includes a VGA output for local monitor providing access to monitoring and configuration interface (supports HD resolution)
- Supports displaying 4 cameras at one time on the NVR local monitor
- Internal storage capacity of 1 TB – Video rated HDD
- DVD R/W drive for burning evidence clips
- Small desktop type footprint suitable for small spaces



6 Split (supported on remote clients only)



Event Record



Preview

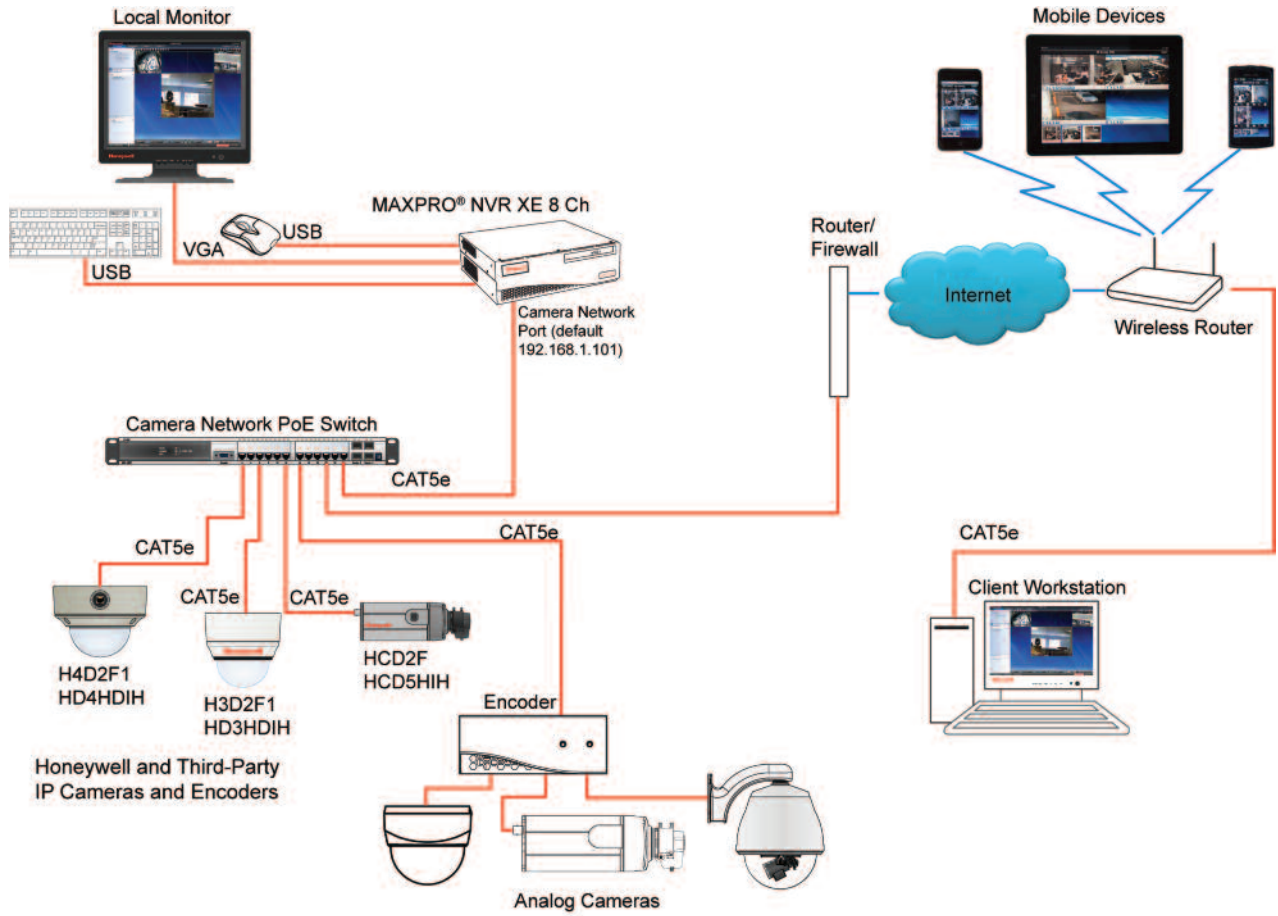


Quad (2x2 Salvo)

MAXPRO® NVR XE (Xpress Edition)

www.honeywellvideo.com

SYSTEM DIAGRAM



MAXPRO® NVR XE (Xpress Edition) www.honeywellvideo.com

SPECIFICATIONS

Operational		Operational	
MAXPRO NVR XE Software - Version 2.5 or above		MAXPRO NVR XE Hardware	
Database	Microsoft SQL Express 2008 R2	Processor	Intel® Atom™ D525
Operating system	Windows Embedded Standard 7, 32-bit	Memory	4 GB
Image compressions supported	MPEG-4, H.264	Power supply	Single 220 W 80 PLUS Efficient PSU; Energy Star 5.0 compliant, Active PFC
Supported Honeywell IP cameras and encoders	Supports Performance Series IP, EQUIP® Series cameras including high definition. Refer to www.honeywellsecurity.com/nota	Storage capacities	1 TB
Supported third party IP cameras and encoders	Refer to the Honeywell Open Technology Alliance for a comprehensive list of compatible products to which this device is integrated. www.honeywellsecurity.com/nota	Optical	16X DVD-RW
Maximum number client connections	8 remote per unit from 4 remote workstations + 1 local on NVR server	Network	Single 1 Gigabit Ethernet
Salvo layouts	Full, 2x2, 1x5, 3x3, 2x8, 1x12, 4x4 on remote clients 2x2 on local client	Mouse and keyboard	USB
Picture controls per camera	Sharpness, blur, brightness, contrast, hue, saturation, maintain aspect ratio, stretched, original size and picture mirror	Rear Panel Connections	
OSD	Concealed text option	USB	4 Rear USB 2.0 ports
Playback controls per camera	FWD/REV Play x (1, 2, 4, 8, 16) Slow FWD/REV Play x (1/2, 1/4, 1/8)	Network	RJ45
Search types	Time/date timeline, time jump FWD/REV, bookmarks, calendar preview, film strip and event search	Audio	1 Line-in/Microphone 1 Line-out
Recording schedule	Constant and event based with H/M/D and holiday and exception days	Monitor output	1 VGA
Recording methods per camera	Constant, event-based and user activated	Electrical	
Live settings per camera	Compression format, resolution and frame rate	Input voltage	100- 240 VAC, 60/50 Hz
Recording settings per camera	Same as live or reduced frame rate	Operating voltage	110/220 VAC 60/50 Hz
Clip format	WMV with digital certificate for authentication playable with Windows media player	Power consumption	220 W
Video clip authentication	Digital signature, verification tool provided	Mechanical	
Motion detection location	Camera based for supported models or Server based (Smart VMD) for all models(except 360 fisheye/panomorph views)	Construction finish	Chassis: Brushed steel Chassis: Black matte paint
Event recording	Pre- and post-duration setting	Dimensions (w x h x d)	11.75" x 3.95" x 11.12" (298 mm x 100 mm x 282 mm)
Operator reporting	Per user, configurator, session and viewer	Weight	20 lb/9 kg base, varies by model
Event report	Per camera or recorder events	Environmental	
Operators	10	Operating Temperature	40°F to 105°F (5°C to 40°C)
		Storage Temperature	14°F to 150°F (-10°C to 65°C)
		Relative Humidity	20% to 90% (non-condensing)
		Regulatory	
		Emissions	FCC: Part 15 Class B CE:EN 61000-3-2:2006 + A2:2009 CE:EN 61000-3-3:2008
		Immunity	CE:EN 50130-4:1995 + A1:1998 + A2:2002, Alarm/security immunity
		Safety U.S. and Canada International	ETL Listed to UL 60950-1 / CSA C22.2 No. 60950-1 CE report:IEC 60950-1:2005
		Warranty	
		Warranty and Advanced Replacements	Refer to http://www.honeywellvideo.com/support/warranty/index.html
Recording and Monitoring Performance		240 fps @ 4CIF/VGA or 80 fps @ 720p HD or 80 fps @ 1080p HD. Monitoring of 1080p and higher resolution cameras is only supported on remote clients. Network bandwidth/throughput supported per NVR with Incoming: 25 Mbps, Outgoing: 30 Mbps providing a Total: 55 Mbps.	
Max Video Streams Support		Live - 160 streams, Playback/Video retrieval sessions - 32, Sync playback - 9 streams	
Server based VMD (Smart VMD) performance - channels supported		Channels at max fps: 8 ch at 240 fps @ 4CIF/VGA or 4 ch at 80 fps @ 720p. All Channels at fps: 8 ch at 240 fps @ 4CIF/VGA or 40 fps @ 720p. Note: Local client - 2x2 view for 720p or lower resolutions only. 1080p and higher resolution models can be configured at lower fps (than supported at 720p) to record with SmartVMD if remote clients are used for monitoring these cameras.	

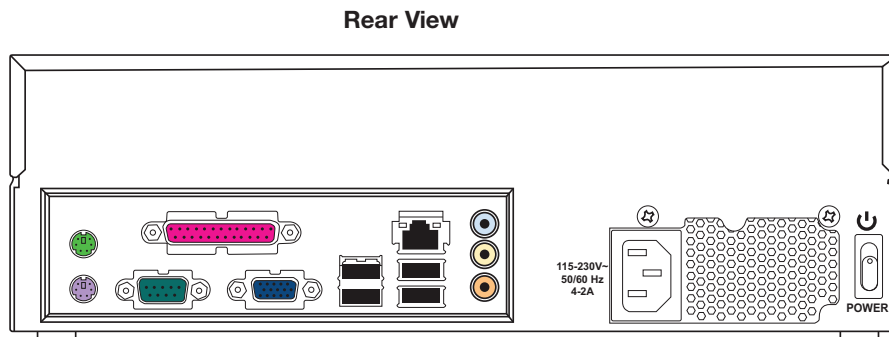
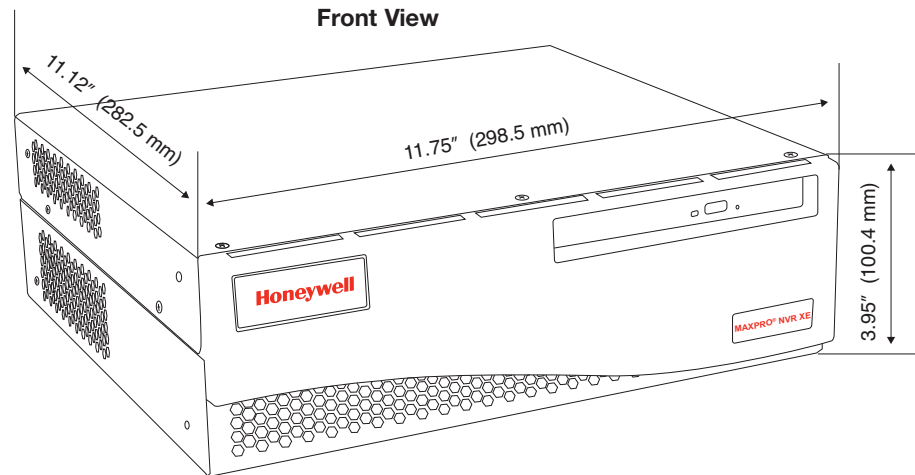
MAXPRO® NVR XE (Xpress Edition) www.honeywellvideo.com

SPECIFICATIONS

MAXPRO NVR Client Only Workstation – Minimum Specifications	
Processor	Intel® Core™ 2 Duo Processor E6750 2.66 GHz or Quad Core Intel® Xeon® E5405 2.0 GHz
System Memory (RAM)	Minimum 4 GB or Higher
OS & Application – Hard Disk Drive or Partition	Minimum 100 GB Partition drive or separate hard drive
Graphics Adapter	512 MB or higher Display Card for Dual Monitor – DirectX 9 Compatible
Network Interface	Minimum – 1 Gigabit network interface card
Optical Drive	DVD-RW
Monitor Resolution	Video resolution 1280x1024 pixels, 32 bit
Keyboard/Mouse	102-key keyboard and mouse
Operating System Options	Microsoft® Windows 7 Professional SP1 (32-bit and 64-bit), Microsoft® Windows Server 2008 R2 SP1

Note: The minimum specifications above are recommended for systems with fixed or PTZ cameras only. For systems with multiple 360 cameras using full immersive experience with dewarping and playback requires superior workstation specifications than above.

SYSTEM DIMENSIONS



MAXPRO® NVR XE (Xpress Edition) www.honeywellvideo.com

ORDERING

Ordering MAXPRO NVR XE – 8 Channel	
HNMXE81	MAXPRO NVR XE 8 Ch, 1 TB

Recommended Entry Level Cameras: Performance Series IP Cameras	
HD44IP, H3SVP1	Network, Day/Night Indoor Fixed IP Dome, VGA Resolution Camera, H.264, PSIA, ONVIF Profile-S models
HD45IP, H3S1P1	Network, Day/Night Indoor Fixed IP Dome, 720p Resolution Camera, H.264, PSIA, ONVIF Profile-S models
HD54IP, H4SVP1	Network, Day/Night Rugged Fixed IP Dome, VGA Resolution Camera, H.264, PSIA, ONVIF Profile-S models
HD55IP, H4S1P1	Network, Day/Night Rugged Fixed IP Dome, 720p Resolution Camera, H.264, PSIA, ONVIF Profile-S models

Refer to the storage calculator on www.honeywellvideo.com to help determine what size unit to order.

NOTE: Honeywell reserves the right, without notification, to make changes in product design or specifications.

For more information:

www.honeywell.com/security

Automation and Control Solutions

Honeywell Security Products Americas
2700 Blankenbaker Pkwy, Suite 150
Louisville, KY 40299
1.800.323.4576
www.honeywell.com



L/MPNVRXE825D/D
June 2013
© 2013 Honeywell International Inc.