

V60B AND V60M Series

www.honeywellvideo.com

V60 COMPACT RUGGED CAMERA

The V60 Series of compact rugged cameras is small enough to fit in the palm of your hand, offering a low profile and discreet appearance. There are several variants available that expand market appeal to include harsh temperature environments as well as low light; making it one of the most versatile camera series available. All V60s are housed in a die-cast zinc enclosure for toughness and are supplied with tamper-resistant screws for added security. The unique design allows for uniform installation, typically in less than 15 minutes, and top performance in some of the most demanding conditions.

The V60B is available in standard and high resolution, black and white, and color. Fixed lens options from 2.9 mm wide angle to 16.0 mm telephoto make the V60 Series ideal for most security installations. If your installation requires recorded audio, the V60M comes equipped with an internal microphone sensitive to 43dB.

Market Opportunities

The V60 Series of cameras is tough enough to be installed in maximum security prisons as well as railroad locomotives. For organizations managing vehicles such as locomotives and trucks, the V60 Series provides high-quality images regardless of motion frequency.

Features

- Die-cast zinc enclosure
- Compact
- Installs in less than 15 minutes
- Color cameras feature Digital Signal Processing
- Fully weather sealed for indoor and outdoor use
- Lens options 2.9 mm to 16.0 mm*

* Not compatible with Quick Change Lenses



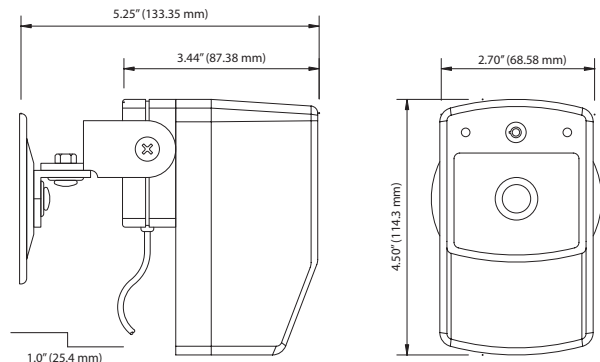
V60B AND V60M Series

www.honeywellvideo.com

SPECIFICATIONS

Operational	Black and White	Color
Video Standard	EIA, CCIR	NTSC, PAL
Scanning System	525/60 Lines (NTSC/EIA) 625/50 Lines (PAL/CCIR)	
Image Sensor	1/3" CCD Sony/Panasonic sensor	
Number of Pixels (H x V)	EIA: 512 x 492 (Std Res) 816 x 495 (High Res) CCIR: 512 x 582 (Std Res) 798 x 584 (High Res)	NTSC: 510 x 492 (Std Res) 768 x 494 (High Res) PAL: 500 x 582 (Std Res) 752 x 582 (High Res)
Minimum Illumination	0.2 lux @ F2.0 (Std Res) 0.3 lux @ F2.0 (High Res)	0.8 lux @ F2.0 (Std Res) 1.0 lux @ F2.0 (High Res)
Horizontal Resolution	410 TV lines (Std Res) 570 TV lines (High Res)	350 TV lines (Std Res) 480 TV lines (High Res)
Video Output	1 Vp-p @ 75 Ohms	
Sync System	12 VDC internal	
S/N Ratio	Better than 51 dB	
Auto Gain Control	Auto	
Automatic Electronic Shutter	1/60 to 1/100,000 seconds	
White Balance	ATW	
BLC	On (central window), Off-switchable	
Lens Type	Fixed lens with auto iris	
Audio Output	-5 dB (V60M only)	
Audio Frequency Response	30 Hz to 20 kHz @ -3 dB (V60M only)	
Audio Sensitivity	-43±3 dB ref 1V/Pa (V60M only)	
Electrical		
Input Voltage	12 VDC	
Input Range	11 – 16 VDC regulated	
Surge Suppression	1.5 kW transient	
Power Consumption	1.8 W	30 W
Mechanical		
Dimensions (W x H x D)	2.5" x 2.75" x 4.5" (63 mm x 69 mm x 114 mm)	
Weight	2.6 lbs (1.18 kg) (without cables)	
Construction	Housing: Die-Cast Zinc Window: Non-glare xcratch-resistant Lexan® Finish: Powder coat off-white	
Connectors	Video Output: BNC female Audio Output: RCA Power Input: Male jack 2.1 mm	

Environmental						
Temperature	Operating V60B: -13°F to +122°F (-25°C to +50°C) V60M: -13°F to +122°F (-25°C to +50°C) Storage: V60B: -13°F to +122°F (-25°C to +50°C) V60M: -13°F to +122°F (-25°C to +50°C)					
Relative Humidity	0 to 95% (non condensing)					
Regulatory						
Emissions	FCC: Part 15, Class B CE: EN 55022					
Safety	EU: 73/23/EEC LVD					
Patent	Security Bolt #2,127,312 CANADA #5,946,404 US					
Accessories						
Camera Brackets						
019.0002	U bracket, 2.75"					
019.0003	U bracket, 4.75"					
Transformers						
HPT12DC1000	Single Output DC Plug-In Transformer, 12 VDC @ 1000 mA					
HPT12DC500	Single Output DC Plug-In Transformer, 12 VDC @ 500 mA					
Field of View						
(mm)	2.9	3.6	6.0	8.0	12	16
Horizontal	90°	74°	42°	32°	22°	15°
Vertical	67°	55°	32°	24°	17°	11°
Lens Code	029	038	060	080	120	150



Ordering

V60B	C5	120	
Lens Options 029 2.9 mm fixed lens 036 3.6 mm fixed lens 060 6 mm fixed lens 080 8 mm fixed lens 120 12 mm fixed lens 160 16 mm fixed lens			
Camera Options B1 STD Res B&W EIA B21 STD Res B&W CCIR B6 High Res B&W CCIR B26 High Res B&W EIA C4 STD Res Color NTSC C24 STD Res Color PAL C25 High Res Color NTSC C25 High Res Color PAL			
Camera Type B Basic camera without audio M Microphone camera (basic with audio)			

NOTE: Honeywell reserves the right, without notification, to make changes in product design or specifications.

Honeywell Security

Honeywell Video Systems
2700 Blankenbaker Pkwy, Suite 150
Louisville, KY 40299
1.800.796.CCTV
www.honeywell.com

L/V60BMSRD/D
January 2008
© 2008 Honeywell International Inc.

Honeywell